

ENTRANCE EXAM FOR MBBS / BDS / HEALTH SCIENCES

INSTRUCTIONS TO THE CANDIDATES

Note : Use ball point pen for writing and HB pencil for shading.

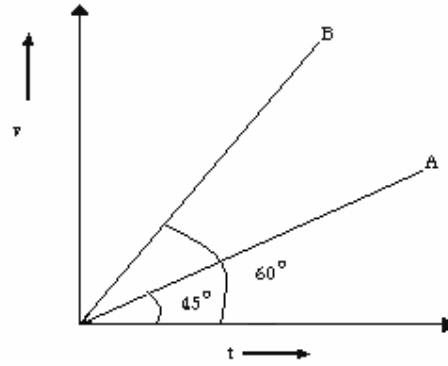
1. Before opening the Question Booklet, write the Name of Exam Centre, your Name and Registration Number (as found in the Hall Ticket) and sign in the front page of the Question Booklet.
2. Do not open the Question Booklet until the Hall Superintendent gives the signal for the commencement of the examination.
3. After the Commencement of the examination, Open the Question Book and take out the Answer Sheet kept inside it. Check whether the Answer Sheet and the Question Booklet are in good condition. If not, before writing anything on the Answer sheet, ask for replacement of the Question Booklet / Answer Sheet.
4. **Write your Registration Number** (as found in the Hall Ticket) and Question Booklet Number in the spaces provided for in the Answer Sheet.
5. Shade the relevant box in the Answer Sheet just below the Registration Number, to indicate the Registration Number and the relevant box below the Question Booklet Number, to indicate the Question Booklet Number. Avoid mistakes by shading carefully.
6. There are 155 questions in the Question Booklet.
7. Part 1 and Part 2 are compulsory for all the candidates. In addition they have to choose either Part 3 or Part 4.
8. Candidates are instructed **not to attend** both Part 3 and Part 4. If done, the answer sheet will be treated invalid.
9. The answers should be given only in the Answer Sheet.
10. While answering, choose the correct answer to a question and shade the corresponding box in the Answer Sheet. If you desire to alter any answer, erase the earlier Pencil shading thoroughly and then shade the box corresponding to the revised answer. Altering the answer is not possible if shaded with ball point pen. If there are multiple shading for a question, the corresponding question will be treated as unanswered.
11. **Use the Answer Sheet carefully. No spare Answer Sheet will be given.**
12. Each correct answer in parts 1 , 2 & 3 will carry 3 marks and each correct answer in part 4 will carry 2.1 marks. Negative mark of 1 will be awarded for every wrong answer in physics, chemistry & mathematics and 0.7 for every wrong answer in biology.
13. The last few pages of the Question Booklet are blank, except for the words 'Rough Work'. You can use them for any rough calculations.
14. **No candidate will be allowed to leave the Examination Hall till the end of the Examination.**
15. When you have completed, stand up and remain in your seat. The Hall Superintendent will come to you and collect your Answer Sheet and Question Booklet. **Under no circumstances should the Answer Sheet and Question Booklet be taken out of the examination hall. No candidate will leave the hall until all the Answer Sheets and Question Booklets are collected by the Hall Superintendent.**
16. Any malpractice / attempt to malpractice may result in cancellation of candidature for the examination and also warrant further punitive actions.

MODEL QUESTIONS

Part 1. - Physics

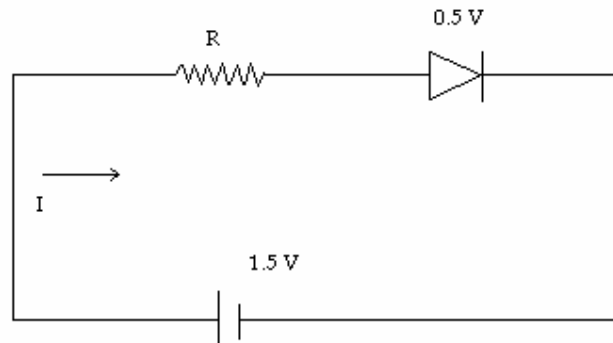
- Which of the following pairs DOES NOT have the same dimensions?
 - frequency and angular frequency
 - angular velocity and velocity gradient
 - velocity gradient and angular frequency
 - angular frequency and potential energy gradient
- The velocity of a particle depends upon t as $V = A + Bt + ct^2$. If velocity is in m/s , the unit of A will be
 - m/s
 - m/s^2
 - $m.s$
 - m^2/s
- Which of the following four statements is false?
 - A body can have zero velocity and still be accelerated
 - A body can have a constant velocity and still have a varying speed
 - A body can have a constant speed and still have a varying velocity
 - The direction of the velocity of a body can change when its acceleration is constant
- The displacement x of a body in motion is given by $x = a \sin(\omega t + \theta)$. The time at which the displacement is maximum is:
 - $\frac{\theta}{\omega}$
 - $\left(\frac{\pi - \theta}{2\omega - \omega}\right)$
 - $\left(\frac{\pi}{2\omega}\right)$
 - $\left(\frac{2\pi - \theta}{\omega - \omega}\right)$
- The position of a particle moving along x – axis is given by $x = 3t - 4t^2 + t^3$, where x is in metre and t in seconds. The average velocity of the particle in the time interval from $t = 2$ seconds to $t = 4$ seconds is
 - $7m/s$
 - $1m/s$
 - $13m/s$
 - None of these
- An object A of mass 2 kg is moving with a velocity of 3 ms^{-1} and collides head on with an object B of mass 1 kg moving in the opposite direction with a velocity of 4 ms^{-1} . After collision both objects coalesce so that they move with a common velocity v equal to
 - $\frac{2}{3} \text{ ms}^{-1}$
 - 1 ms^{-1}
 - 2 ms^{-1}
 - 3 ms^{-1}
- The motion of planets in the solar system is an example of conservation of
 - mass
 - momentum
 - angular momentum
 - kinetic energy

8. The velocity time graphs of two bodies A and B are shown in figure. The ratio of their acceleration is:



- a) $1 : \sqrt{3}$ b) $1 : 3$ c) $\sqrt{3} : 1$ d) $\sqrt{3} : \sqrt{2}$
9. For a satellite, escape velocity is 11 km/s . If the satellite is launched at an angle of 60° with the vertical, then escape velocity will be
- a) 11 km/s b) $11 \sqrt{3} \text{ km/s}$ c) $\frac{11}{\sqrt{3}} \text{ km/s}$ d) 33 km/s
10. There are two bodies of masses 100 kg and $10,000 \text{ kg}$ separated by a distance of 1 m . At what distance from the smaller body, the intensity of gravitational field will be zero.
- a) $\frac{1}{9} \text{ m}$ b) $\frac{1}{10} \text{ m}$ c) $\frac{1}{11} \text{ m}$ d) $\frac{10}{11} \text{ m}$
11. A liquid will not wet the surface of a solid if its angle of contact is
- a) zero
b) less than 90°
c) more than 90°
d) 90°
12. In a simple harmonic motion (SHM), which of the following does not hold?
- a) The force on the particle is maximum at the ends.
b) The acceleration is minimum at the mean position
c) The potential energy is maximum at the mean position
d) The kinetic energy is maximum at the mean position
13. What will be the wave velocity, if the radar gives 54 waves per minute and wavelength of the given wave is 10 m ?
- a) 4 m/s b) 6 m/s c) 9 m/s d) 5 m/s
14. A bomb explodes on the moon. How long will it take for the sound to reach the earth?
- a) 10 s b) 1000 s c) 1 light year d) None of these

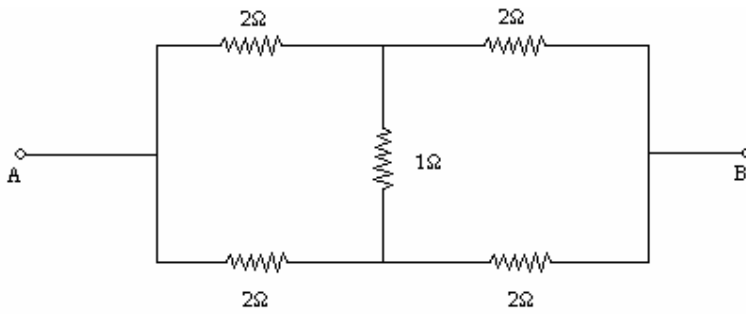
15. Two gases are at absolute temperatures of 300k and 350 k respectively. Ratio of average kinetic energy of their molecules is
- a) 7 : 6 b) 6 : 7 c) 36 : 49 d) 49 : 36
16. Two identical samples of a gas are allowed to expand a) isothermally b) adiabatically Work done is
- a) more in the isothermal process
b) more in the adiabatic process
c) neither of them
d) equal in both processes
17. An ideal heat engine exhausting heat at 77°C is to have 30% efficiency. It must take heat at
- a) 127°C b) 227°C c) 327°C d) 673°C
18. In a p – n junction having depletion layer of thickness 10^{-6} m the potential across it is 0.1 V. The electric field is ----- Vm^{-1}
- a) 10^7 b) 10^{-6} c) 10^5 d) 10^{-5}
19. The diode used in the circuit shown in the figure has a constant voltage drop of 0.5V at all currents and a maximum power rating of 100 milliwatts. What should be the value of the resistor R, connected in series with the diode, for obtaining maximum current?



- a) $1.5\ \Omega$ b) $5\ \Omega$ c) $6.67\ \Omega$ d) $200\ \Omega$
20. The mass number of Helium is 4 and that for sulphur is 32. The radius of sulphur nucleus is larger than that of Helium, by
- a) $\sqrt{8}$ times b) 4 times c) 2 times d) 8 times
21. In Nuclear Fission 0.1% mass is converted in to energy. The energy released by the fission of 1 kg mass will be
- a) $9 \times 10^{16}\text{ J}$ b) $9 \times 10^{19}\text{ J}$ c) $9 \times 10^{13}\text{ J}$ d) $9 \times 10^{17}\text{ J}$
22. Half life of a radioactive substance is 140 days. Initially there is 16g of the substance. Calculate the time for this substance when it reduces in to 1g.
- a) 140 days b) 280 days c) 420 days d) 560 days

23. The ratio of the long wavelength limits of the Lyman and Balmer series of hydrogen is
 a) 27 : 5 b) 5 : 27 c) 4 : 1 d) 1 : 4
24. Light of wavelength 5000 \AA falls on a sensitive plate with photoelectric work function of 1.9 eV. The kinetic energy of the photoelectron emitted will be
 a) 0.58 eV b) 2.48 eV c) 1.24 eV d) 1.16 eV
25. The population inversion necessary for laser action used in solid state lasers is
 a) electrical discharge
 b) inelastic atom – atom collision
 c) direct conversion
 d) optical pumping
26. A magnet of moment 2 Am^2 is placed in a uniform magnetic field of 5 Wb/m^2 . If the magnet experiences a torque of 5 Nm, then the angle between the direction of magnetic field and magnet is
 a) $\frac{\pi}{6}$ b) $\frac{\pi}{4}$ c) $\frac{\pi}{3}$ d) $\frac{\pi}{2}$
27. The reduction factor of a tangent galvanometer is K . If the number of turns and area of cross section of the coil are doubled, then the reduction factor becomes
 a) $\frac{K}{2}$ b) $2K$ c) $\frac{K}{\sqrt{2}}$ d) $\sqrt{2} K$
28. The Focal length of a convex lens will be maximum for
 a) blue light b) yellow light c) green light d) red light
29. In the Young's double slit experiment using sodium light ($\lambda = 5898 \text{ \AA}$), 92 fringes are seen. If the green colour ($\lambda = 5461 \text{ \AA}$) is used, how many fringes will be seen
 a) 62 b) 67 c) 75 d) 99
30. In the figure distance of the point from A where the electric field is zero is
 a) 20 cm b) 10 cm c) 33 cm d) None of these
31. A parallel plate capacitor is first charged and then a dielectric slab is introduced between the plates. The quantity that remains unchanged is
 a) charge Q b) Potential V c) Capacity C d) Energy U

32. The equivalent resistance between A & B of the circuit shown in the given figure is



- a) 9Ω b) 4Ω c) 2Ω d) 1Ω

33. As the temperature of hot junction increases, the thermo emf

- a) always increases
- b) always decreases
- c) may increase and decrease
- d) always remains constant

34. A moving charge will produce

- a) only a magnetic field
- b) only a electric field
- c) both electric and magnetic field
- d) none of these

35. The energy stored in a coil of self inductance 40mH carrying a steady current of 2A is

- a) 0.08 J b) 0.8 J c) 80 J d) 8 J

Part 2. – Chemistry

36. In which of the following pairs (of molecules / ions) the central atom has the same hybridisation?
a) XeF_4 & ClO_4^- b) $BeCl_2$ & SO_2
c) BH_3 & ClF_3 d) NH_3 & NH_4^+
37. Dissociation constant of a weak acid is 1×10^{-6} at $25^\circ C$. Find the p^{OH} of 0.01 M of its aqueous solution.
(a) 4 (b) 3 (c) 10 (d) 12
38. Assertion (A): Molar mass of acetic acid found by the depression of freezing point method, separately in the solvents water and benzene are different.
Reason (R): Water helps in ionization but benzene brings association of acetic acid. Identify the correct option.
(a) Both A and R are correct; R is the correct explanation for 'A'
(b) Both A and R are correct; but R is not the correct explanation for 'A'
(c) A is true but R is false
(d) A is false but R is true
39. 2,4,6-Tribromophenol is formed when the organic compound 'X' reacts with 'Y' in the presence of Z. What are X, Y and Z?
a) C_6H_5OH ; Br_2 ; CS_2 b) C_6H_5OH ; Br_2 ; H_2O
c) C_6H_5CHO ; Br_2 ; $FeBr_3$ d) C_6H_6 ; Br_2 ; H_2O
40. Enthalpy of formation of $C_2H_4(g)$, $CO_2(g)$ and $H_2O(l)$ at $25^\circ C$ and 1 atm pressure are 52, -394 and -286 KJ/mol respectively. Enthalpy of combustion of $C_2H_4(g)$ is
a) +1412 KJ/mol b) -1412 KJ/mol
c) +141.25 KJ/mol d) -141.2 KJ/mol
41. Identify the formula which is applicable to the conversion of 20% of the initial concentration of the reactant to the product in a first order reaction. (Rate constant = K)
a) $t_{20\%} = \frac{2.303}{5} \log \frac{100}{20}$ b) $t_{20\%} = \frac{2.303}{20} \log \frac{100}{K}$
c) $t_{20\%} = \frac{2.303}{K} \log \frac{5}{4}$ d) $t_{20\%} = \frac{2.303}{100} \log \frac{K}{80}$
42. Chloroform and alcoholic KOH can be used to differentiate -
(a) CH_3CHO & CH_3COCH_3 (b) $HCOOH$ & CH_3COOH
(c) CH_3NH_2 & $(CH_3)_2NH$ (d) C_2H_5OH & CH_3OCH_3
43. Strongest and the weakest bases among the hydroxides of Lanthanides are respectively -
a) $Lu(OH)_3$ & $La(OH)_3$ b) $La(OH)_3$ & $Lu(OH)_3$
c) $La(OH)_3$ & $Ce(OH)_3$ d) $Pm(OH)_3$ & $Nd(OH)_3$
44. In a cubic unit cell, the following atom / ion occupy the positions as mentioned below.
Na ... In the centre of the cube
W ... (Tungston) At the corners of the cube
O ... (Oxygen) At the centre of the edges.
(Formula of the compound is -)
(a) $NaWO_2$ (b) $NaWO_3$ (c) Na_2WO_3 (d) $NaWO_4$

45. In which of the following aspects both physical adsorption and chemical adsorption, resemble?
Both are
- (a) exothermic (b) multimolecular layered
(c) reversible (d) found more at high temperature
46. Among the following ions, which has the highest spin magnetic moment?
(At. No: $Ti = 22$; $Mn = 25$; $Ni = 28$; $Cu = 29$).
- (a) Cu^{2+} (b) Ti^{3+} (c) Ni^{2+} (d) Mn^{2+}
47. $SO_2Cl_2 \rightleftharpoons SO_2 + Cl_2$
(g) (g) (g)
At equilibrium volume of the reaction vessel is increased. As a result the amount of-
- (a) SO_2 will decrease (b) SO_2Cl_2 will increase
(c) Cl_2 will increase (d) Cl_2 will remain unchanged
48. Which of the following reagents can convert acetone to acetic acid?
- (a) $AgNO_3$; NH_4OH (b) $LiAlH_4$
(c) Conc. HCl (d) I_2 , $NaOH$, dilute HCl
49. A large increase from the first to the second ionisation energy of an element 'A' can be seen if its electronic configuration is -
- (a) $1S^2 2S^2 2P^6 3S^1$ (b) $1S^2 2S^2 2P^6 3S^2$
(c) $1S^2 2S^2 2P^5$ (d) $1S^2 2S^2 2P^6 3S^2 3P^2$
50. $K_2Cr_2O_7 + xKCl + 6H_2SO_4 \rightarrow yCrO_2Cl_2 + 6KHSO_4 + zH_2O$, x , y and z are respectively
- (a) 4, 2, 3 (b) 6, 2, 6
(c) 8, 2, 4 (d) 4, 1, 6
51. Which of the following reactants combine to produce C_6H_6 , N_2 and HCl ?
- (a) $C_6H_5N_2Cl$, Hot H_2O (b) $C_6H_5N_2Cl$, C_6H_5OH
(c) $C_6H_5N_2Cl$, HCl , Cu_2Cl_2 (d) $C_6H_5N_2Cl$, H_3PO_2 , H_2O
52. In the nuclear transformation of X to Y ${}_jX^i \rightarrow {}_lY^h + m_2He^4 + n {}_{-1}\beta^0$ the number of beta particles 'n' is equal to
- a) $(i - K) \frac{1}{4}$ (b) $(l - j) + 2m$
c) $(l - j) \frac{1}{2}$ (d) $(K - l) - 2m$
53. At a certain temperature vapour pressure of pure water is 3000 Nm^2 . To 100 gms of water, 5 gms of non-electrolyte and non-volatile solute is added. Vapour pressure of the solution is 2985 Nm^2 . Assume that it is a dilute solution, find the molar mass of the solute.
- (a) 90 (b) 180 (c) 200 (d) 270
54. Which of the following in pairs is wrongly matched?
- | I | II |
|-------------------|----------------------------|
| (a) Terylene | $OH-CH_2-CH_2OH$ |
| (b) Nylon 6,6 | $NH_2CH_2(CH_2)_4CH_2NH_2$ |
| (c) Buna-S-Rubber | $C_6H_5CH=CH_2$ |
| (d) Bakelite | C_2H_5OH |

55. In the aqueous medium, which of the following ion is colourless ?
(At. No. of $Sc = 21$; $Ti = 22$; $V = 23$ & $Fe = 26$).
(a) Sc^{3+} (b) Ti^{2+} (c) V^{3+} (d) Fe^{3+}
56. Among the following the most stable free radical is –
a) $CH_3CH_2\cdot$
b) $CH_3\dot{C}HCH_3$
c) $CH_3\dot{C}HC_6H_5$
d) $C_6H_5CH_2CH_2\cdot$
57. X-rays of wave-length 1.14 \AA in the first order reflection from a crystal, were reflected at an angle of 30° .
The inter planar distance in the crystal is ($\sin 30^\circ$ is 0.5)
a) 3.8 \AA b) 1.14 \AA
c) 0.342 \AA d) 2.28 \AA
58. One litre of an aqueous solution has 3.65 gms of HCl. It is desired to increase the pH of the solution to 2.
Then H_3O^+ ion concentration present initially should be
a) Also doubled b) Reduced to half
c) Increased by 10 times d) Reduced by 10 times
59. Which among the following is a Polyamide Polymer?
(a) Terylene (b) Buna-S-rubber
(c) Polystyrene (d) Nylon 6,6
60. Which among the following is used as antacid?
(a) Aspirin (b) Phenacetin
(c) $Al(OH)_3 + Mg(OH)_2$ (d) *p*-Hydroxy azo benzene.
61. Find the correct statement about crystal defects.
a) schottky defect makes a crystal electrically charged.
b) frenkel defect alters the density of the crystal.
c) metal excess defect gives colour to the crystal
d) metal deficiency defect can be found in the halides of alkali metals.
62. Which of the following conversions involves gain of 5 electrons per ion?
a) $MnO_4^- \rightarrow Mn^{2+}$ b) $CrO_4^{2-} \rightarrow Cr^{3+}$
c) $MnO_4^{2-} \rightarrow MnO_2$ d) $Cr_2O_7^{2-} \rightarrow 2Cr^{3+}$
63. Sodium reacts with water to give H_2 gas and the solution contains substance 'A' zinc metal reacts solution 'A' to give the same H_2 gas. Compound 'A' is
a) Na_2O b) $NaOH$ c) Na_2CO_3 d) $NaHCO_3$
64. Meso form can be obtained in-
a) 1,2 – Dichlorobutane b) 1,4 – Dichlorobutane
c) 2,3 – Dichlorobutane d) 1,3 – Dichlorobutane
65. Decomposition of ozone can be caused by
a) atomic helium b) water vapour c) dust particles d) atomic chlorine

66. Normality of 0.25 M phosphorus acid H_3PO_3 is
a) 0.125 b) 0.75 c) 0.50 d) 0.25
67. Which of the following sets contains oxides in the sequence of basic, amphoteric and acidic in nature respectively?
a) CaO, SiO_2, Al_2O_3 b) Al_2O_3, CO_2, SiO_2
c) CO, SO_2, P_2O_5 d) BaO, Al_2O_3, SiO_2
68. Among $LiCl, RbCl, BeCl_2$ and $MgCl_2$ compounds with maximum and minimum ionic character are respectively.
a) $LiCl; RbCl$ b) $RbCl; BeCl_2$ c) $RbCl; MgCl_2$ d) $MgCl_2; BeCl_2$
69. Between actinides and lanthanides, the complex formation tendency is more for
a) lanthanides because of high chemical reactivity
b) lanthanides due to greater stability.
c) actinides as they have variable oxidation states.
d) actinides due to high charge to size ratio
70. A solid mixture has benzoic acid and naphthalene. From this naphthalene can be separated by using
a) aqueous $NaOH$ b) cold water c) benzene d) diethylether

Maths – Part 3

71. If $\begin{vmatrix} a & b & \alpha d & -d \\ b & c & b\alpha & -c \\ 2 & 1 & 0 & \end{vmatrix} = 0$ and $\alpha \neq \frac{1}{2}$, then a, b, c are in
a) A.P b) G.P c) H.P d) none of the above
72. If $\sin x + \operatorname{cosec} x = 2$, then $\sin^n x + \operatorname{cosec}^n x$ is equal to
a) 2^n b) 2 c) 2^{n-1} d) $2^n - 1$
73. The value of $\tan \left[\cos^{-1} \left(\frac{4}{5} \right) + \tan^{-1} \left(\frac{2}{3} \right) \right]$ is
a) $\frac{1}{16}$ b) $\frac{7}{16}$ c) $\frac{16}{7}$ d) none
74. If a, b, c are in G.P, x, y are the A.M of a, b and b, c, respectively, then $\frac{a}{x} + \frac{c}{y} =$ _____
1) 3 2) 1 3) 2 4) 5
75. The equation of the plane containing the line $\frac{x+1}{-3} = \frac{y-3}{2} = \frac{z+2}{1}$ and the point (0, 7, -7) is
a) $x+y+z = 1$ b) $x+y+z=2$ c) $x+y+z=0$ d) None of these
76. Foot of the perpendicular from the point (2, 2, 2) in the plane $x+y+z = 9$ is
a) (1, 1, 1) b) (3, 3, 3) c) (9, 0, 0) d) (2, 6, 1)
77. The solution of the equation $9^x + 78 = 3^{2x+3}$ is
a) 2 b) 3 c) $\frac{1}{3}$ d) $\frac{1}{2}$
78. The area of the quadrilateral formed by the tangents at the end points of latus rectum to the ellipse $\frac{x^2}{9} + \frac{y^2}{5} = 1$ is
a) $\frac{27}{4}$ sq units b) 9 sq units
c) $\frac{27}{2}$ sq units d) None of the above

79. If $\cos^{-1} \left[\frac{x^2 - y^2}{x^2 + y^2} \right] = \log a$, then $\frac{dy}{dx}$ is equal to:

- a) $\frac{y}{x}$ b) $\frac{x}{y}$ c) $\frac{x^2}{y^2}$ d) $\frac{y^2}{x^2}$

80. The image of the point (1, 6, 3) on the line $\frac{x}{1} = \frac{y-1}{2} = \frac{z-2}{3}$ is

- a) (1, 6, 7) b) (1, -6, -7)
 c) (1, 0, 7) d) (-1, 1, -7)

81. $\int \frac{\sin x - \cos x}{\sqrt{1 - \sin 2x}} e^{\sin x} \cos x \, dx =$

- a) $e^{\sin x} + c$ b) $e^{\sin x - \cos x}$
 c) $e^{\sin x + \cos x} + c$ d) $e^{\cos x - \sin x} + c$

82. If $A = \begin{bmatrix} \cos \theta & -\sin \theta & 0 \\ \sin \theta & \cos \theta & 0 \\ 0 & 0 & 0 \end{bmatrix}$, then A^3 will be a null matrix if and only if

- a) $\theta = (2K + 1)\frac{\pi}{2} (k \in \mathbb{Z})$
 b) $\theta = (4K - 1)\frac{\pi}{3} (k \in \mathbb{Z})$
 c) $\theta = (3K - 1)\frac{\pi}{4} (k \in \mathbb{Z})$
 d) none of these

83. If \bar{x} is the mean of n observations x_1, x_2, \dots, x_n , then the mean of $\frac{x_1}{a}, \frac{x_2}{a}, \dots, \frac{x_n}{a}$ is

- a) $\frac{\bar{x}}{a}$ b) $\bar{x} + a$
 c) $a\bar{x}$ d) $a^2\bar{x}$

84. The value of $\sin 10^\circ + \sin 20^\circ + \sin 30^\circ + \dots + \sin 360^\circ$ is

- a) 1 b) 0 c) -1 d) 2

94. The altitude for a right circular cone of minimum volume circumscribed about a sphere of radius r is
 a) $2r$ b) $3r$ c) $5r$ d) $4r$
95. If $|z+4| \leq 3$, then the greatest and the least values of $|z+1|$ are
 a) $3, 0$ b) $6, 0$
 c) $4, 3$ d) none of the above
96. If α is one root of the equation $4x^2 + 2x - 1 = 0$, then the other root may be
 a) $4\alpha^3 - 3\alpha$ b) $4\alpha^3 + 3\alpha$
 c) $3\alpha^3 - 4\alpha$ d) $3\alpha^2 + 4\alpha$
97. If $\lim_{x \rightarrow 1} \frac{x + x^2 + x^3 + \dots + x^n - n}{x - 1} = 5050$, then n equals
 a) 10 b) 100 c) 150 d) 200
98. If a coin is tossed n times the probability that head will appear an odd no of times is
 a) $\frac{1}{2^n}$ b) $\frac{1}{2^{n-1}}$ c) $\frac{1}{2}$ d) $\frac{2}{5}$
99. The number of solutions of $\sqrt{3x^2 + 6x + 7} + \sqrt{5x^2 + 10x + 14} = 4 - 2x - x^2$ is
 a) 1 b) 2 c) 3 d) 4
100. $nc_1 + 2^n c_2 + 3^n c_3 + \dots + n^n c_n =$
 a) $n2^{n-1}$ b) $(n+1)2^{n+1}$ c) $n2^n$ d) $(n-1)2^{n+1}$
101. If $A + B + C = \pi$, then $\frac{\sin A + \sin B - \sin C}{\sin A + \sin B + \sin C}$ is equal to
 a) $\tan \frac{B}{2} \cdot \tan \frac{C}{2}$ b) $\tan \frac{A}{2} \cdot \tan \frac{B}{2}$
 c) $\tan \frac{A}{2} \cdot \tan \frac{B}{2} \cdot \tan \frac{C}{2}$ d) $\tan(A+B) - \tan C$

102. If $g(f(x)) = |\sin x|$ and $f(g(x)) = (\sin \sqrt{x})^2$. Then

- a) $f(x) = \sin^2 x, g(x) = \sqrt{x}$
- b) $f(x) = \sin x, g(x) = |x|$
- c) $f(x) = x^2, g(x) = \sin \sqrt{x}$
- d) $f(x), g(x)$ cannot be determined.

103. There are 9999 tickets bearing numbers 0001, 0002, 0003, 9999. If one ticket is selected from these tickets at random, the probability that the number on the ticket will consist of all different digits, is:

- a) $\frac{5040}{9999}$
- b) $\frac{5000}{9999}$
- c) $\frac{5030}{9999}$
- d) none of the above

104. The area of the region bounded by the two parabolas $y=x^2; y^2=x$ is

- a) $\frac{1}{3}$
- b) $\frac{2}{3}$
- c) 1
- d) $\frac{4}{3}$

105. Two non-negative integers x and y are chosen at random with replacement. The probability that $x^2 + y^2$ is divisible by 10 is

- a) $\frac{3}{50}$
- b) $\frac{4}{25}$
- c) $\frac{9}{50}$
- d) $\frac{7}{50}$

Biology – Part 4

71. Bracteoles are 5 to 8 in
- a) *Pavonia odorata* b) *Hibiscus rosasinensis*
c) *Malva sylvestris* d) *Abutilon indicum*
72. The blood pressure is decreased by
- a) Insulin b) Interferon
c) Interleukin d) Renin inhibitor
73. Casparian thickening is absent in _____ cells of the root
- a) radial walls of endodermis b) metaxylem element
c) opposite to protoxylem d) transverse wall of endodermis
74. The shape of the metacentric chromosome is _____
- a) V-shaped b) L-shaped c) Rod shaped d) C-shaped
75. Match the following
- | | |
|-----------------|----------------------------------|
| 1. Medulla | a) sleep wake cycle |
| 2. cerebellum | b) swallowing and vomiting |
| 3. pons | c) balance and maintenance |
| 4. hypothalamus | d) sleep and respiratory centers |
- a) 1 – d 2 – a 3 – c 4 – b
b) 1 – b 2 – c 3 – d 4 – a
c) 1 – a 2 – b 3 – d 4 – c
d) 1 – c 2 – d 3 – a 4 – b
76. which is not an autoimmune disease
- a) Rheumatoid arthritis b) SCID
c) Multiple sclerosis d) Insulin dependent diabetes
77. African sleeping sickness is caused by _____
- a) *Trypanosoma gambiens*
b) *Leishmania donavani*
c) *Leishmania tropica*
d) *Giardia intestinalis*
78. 1) Allergies results from an inappropriate and excessive immune response to common autrigens in the disease called hypersensitivity
- 2) When the immune system attacks and destroys 'self' cells and molecules the disease is called autoimmune disease.
- 3) Graft between allogenic individuals are called heterograft.

4) In distal convoluted tubules the urine becomes hypertonic.

- a) 1 and 2 are true but 3 and 4 are false.
- b) 1 and 3 are true but 4 and 2 are false.
- c) 2 and 3 are true but 1 and 4 are false.
- d) 3 and 4 are true but 1 and 2 are false.

79. Photosynthesis is an oxidation – reduction reaction between _____

- a) Water and ATP
- b) Water and carbondioxide
- c) Carbondioxide and NADP
- d) Water and NADP

80. Ephedrine is used to cure

- a) Pneumonia
- b) Cough
- c) Tuberculosis
- d) Skin infection

81. Match the following

- | | |
|--------------------------|---------------------|
| 1) Biosystematics | a) Heteromerae |
| 2) Carolus Linnaeus | b) Camp and Gily |
| 3) Biochemical mutation | c) Sweden scientist |
| 4) More than two carpels | d) Neurospora |

- | | | | |
|----------|-------|-------|-------|
| a) 1 – a | 2 – b | 3 – c | 4 – d |
| b) 1 – c | 2 – d | 3 – b | 4 – a |
| c) 1 – b | 2 – c | 3 – d | 4 – a |
| d) 1 – d | 2 – b | 3 – a | 4 – c |

82. Which of the following sentence is / are true

- 1. Meristematic cells are self perpetuating
- 2. Uneven thickned cell wall is the characteristic features of sclerenchyma
- 3. Macre-scleroids are present in the seed coat of pisum
- 4. Sclerenchyma are shorter whereas fibres are longer

- a) 1 and 2
- b) 2 and 3
- b) 3 and 4
- d) 1 and 4

83. Urea is synthesized by

- a) Kidney
- b) Pancrease
- c)Liver
- d) Gall bladder

84. Find the wrong match / matches

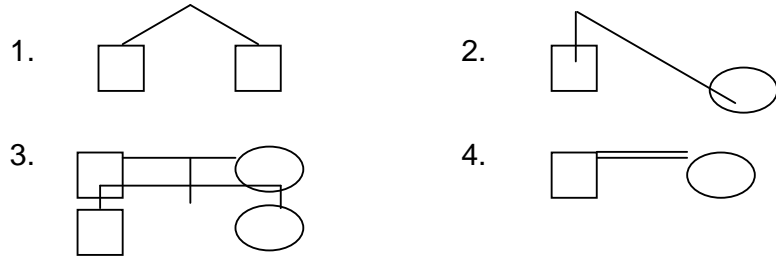
- | | | |
|------------------|---|---------------|
| 1. Flat fish | - | Naakkumeen |
| 2. Sardines | - | Parameen |
| 3. Grey Mulletts | - | Madavai |
| 4. Tilapia | - | Jilabi kendai |

- a) 1 and 2
- b) 2 only
- c) 3 only
- d) 3 and 4

85. A functional idea to understand. The population genetics was provided in the form of law by _____

- a) H.J Muller and Ernst Mayr
- b) G.H. Hardy and W. Weinberg
- c) R.A. Fisher and Sewall Wright
- d) G.L. Stebbins and August Weismann

86. Match the following



- a) Parent and children
- b) Dizygous twins
- c) Monozygous twins
- d) Consanguine marriage

- a) 1 – a 2 – b 3 – c 4 – d
- b) 1 – d 2 – a 3 – c 4 – b
- c) 1 – b 2 – d 3 – a 4 – c
- d) 1 – c 2 – b 3 – a 4 – d

87. Which one of the following is non-degradable waste

- a) Mining waste
- b) Fibre and paper
- c) Leather
- d) Waste from food processing

88. The percentage of recombination can be determined by _____

- a) $\frac{\text{Crossing over frequency}}{\text{Linkage frequency}}$
- b) $\frac{\text{Linkage frequency}}{\text{Total offsprings}}$
- c) $\frac{\text{No of recombinant offspring}}{\text{Total number of offspring}}$
- d) $\frac{\text{No of total frequency}}{\text{Total number of offspring}}$

89. Ketosis occur due to

- a) The low level of calcitonin
- b) The low level of insulin
- c) The high level of insulin
- d) The low level of parathormone

90. The fracture in which haematoma does not communicate with the outside is _____

- a) Green stick fracture
- b) Stress fracture
- c) Pathological fracture
- d) Closed fracture

91. The largest of all viruses is _____
- a) Pox viruses b) Poloma virus
c) Adeno virus d) Rous sarcoma virus
92. Lack of rumination and dull appearance of cattle are the symptoms for _____ disease
- a) Anthrax b) Cowpox
c) Constipation d) Milk fever
93. The botanical name of ashwagantha is _____
- a) *Withania somnifera*
b) *Solalum trilobatum*
c) *Cestrym divernum*
d) *Pelunia hybrida*
94. Phloem fibres are also called as
- a) Wood fibres b) Libriform fibres
c) Bast fibres d) Supporting cells
95. The electron carriers in the electron transport system are arranged in
- a) Three complexes b) Two complexes
c) Four complexes d) Five complexes
96. Pick out the correct statements
- a) C3 plants are more photosynthetically efficient than C4 plants
b) C4 plants are more photosynthetically efficient than C2 plants
c) C3 plants are more photosynthetically efficient than C2 plants
d) C4 plants are more photosynthetically efficient than C3 plants
97. From pericycle _____ root arises
- a) Primary root b) Lateral root
c) Secondary root d) Tertiary root
98. Albinism is due to _____
- a) absense of melanin b) absense of vitamins
c) presence of melanin d) absense of hormone
99. Match the following
- | | |
|-------------------|--------------------------------|
| sources of energy | disadvantages |
| 1. Solar cells | a. affect the ecosystem |
| 2. Thermal power | b. Co ₂ , acid rain |
| 3. Hydel power | c. Co ₂ , fly ash |

- | | | | |
|----------------|-------|-------|---------------|
| 4. Fossil fuel | | | d. Carcinogen |
| a) 1 – d | 2 – c | 3 – a | 4 – b |
| b) 1 – c | 2 – d | 3 – b | 4 – a |
| c) 1 – a | 2 – b | 3 – d | 4 – c |
| d) 1 – b | 2 – d | 3 – c | 4 – a |

100. Bio-degradable products produced through gene modification of soyabean is

- _____
- | | |
|--------------------------|-------------|
| a) Paints | b) Fibres |
| c) Industrial lubricants | d) Plastics |

101. Which of the following sentence is / are false

- 1) During kidney failure dialysis is done to filter the waste
- 2) Blood cells and proteins are not filtered by the machine
- 3) The blood leaves usually from a vein in the medulla and return to a near by artery after dialysis
- 4) Adrenalin act as anti inflammatory agent

- a) 1 and 2 b) 3 only c) 4 only d) 3 and 4

102. The ovary is obliquely placed in the members of

- | | |
|------------------|--------------|
| a) Solanaceae | b) Malvaceae |
| c) Euphorbiaceae | d) Musaceae |

103. Which of the following sentences is / are not false ?

- 1) The primary site of infection is urethra in males in the disease gonorrhoea.
- 2) Pencillin was discovered by Alexander Flemming in the year 1929
- 3) Western Blot is a sensitive test used to detect HIV
- 4) The viruses integrated themselves with the bacterial genome is called lysogenic cycle

- a) 1 and 4 b) 2 and 3 3) 3 and 4 d) 1 and 2

104. 5800 genes are present in the genome of

- | | |
|---------------|-------------------------|
| a) Drosophila | b) Chimpanzee |
| c) Yeast | d) Arabidopsis thaliana |

105. The inherent potential of any living plant probagule to develop into entire organism is called

- | | |
|------------------|--------------------|
| a) Totipotency | b) Organogenesis |
| c) Morphogenesis | d) Differentiation |

106. Which of the following is / are secondary lymphoid organ/s ?

- | | |
|-----------------------|-----------|
| 1) Bursa of fabricius | 2) Spleen |
| 3) Bone marrow | 4) Mucosa |

- a) 1 and 2 b) 2 and 4 c) 1 and 3 d) 3 and 4

107. In hexose phase _____ ATP molecules are consumed
 a) One b) Two c) Three d) No ATP
108. Which of the following sentences is / are not false ?
 1) The slow initial phase is called lag phase
 2) Gibberellin promote dormancy in potatotubers
 3) The term vernalisation was first introduced by German scientist called T.D Lysenko
 4) The enzyme phosphofructokinase convert fructose 1,6 bisphosphate into glycerol dehyde 3 phosphate
 a) 1 and 3 b) 3 only c) 1 only d) 3 and 4
109. Name the insect which plays a vital role in tropical forests by pollinating trees
 a) grasshopper b) Honeybee
 c) Bumble bee d) Orchid bee
110. Match the inflorescence with the flower
 1. Catkin a) Pavonia odorata
 2. Helicoid cyme b) Withania somnifera
 3. Axillary cyme c) Acalypha indica
 4. Umbellate cyme d) Solanum tuberosum
 a) 1 – c 2 – a 3 – a 4 – b
 b) 1 – a 2 – d 3 – d 4 – c
 c) 1 – a 2 – b 3 – c 4 – d
 d) 1 – b 2 – c 3 – d 4 – a
111. Arrange the following in the correct route for a complete reflex are
 1) Sense organ 2) Effector neuron
 3) Effector 4) Grey matter of spinal cord
 5) Intermediate neuron 6) Affector neuron
 a) 1 → 6 → 4 → 5 → 2 → 3
 b) 5 → 2 → 3 → 6 → 4 → 1
 c) 1 → 6 → 5 → 2 → 3 → 4
 d) 2 → 5 → 6 → 3 → 4 → 1
112. Find the incorrect match
 a) Timber yielding - Tectora grandis
 b) Cotton - Gossypium hisatum
 c) Oil yielding - Arachis hypogea
 d) Medicine - Colo nitida
113. The air breathing fish among the following is
 a) Mrigal b) Rohu c) Catfish d) Mullet

Answer Key

1	d	Physics	36	d	Chemistry	71	b	Maths	71	b	Biology	111	a
2	a		37	c		72	b		72	d		112	d
3	b		38	a		73	d		73	c		113	c
4	b		39	b		74	c		74	a		114	c
5	a		40	b		75	c		75	b		115	b
6	a		41	c		76	b		76	b		116	c
7	c		42	c		77	d		77	a		117	c
8	a		43	b		78	d		78	a		118	b
9	a		44	b		79	a		79	b		119	a
10	c		45	a		80	c		80	b		120	a
11	c		46	d		81	a		81	c			
12	c		47	c		82	d		82	d			
13	c		48	d		83	a		83	c			
14	d		49	a		84	b		84	b			
15	b		50	a		85	a		85	b			
16	a		51	d		86	a		86	d			
17	b		52	b		87	d		87	a			
18	c		53	b		88	a		88	c			
19	b		54	d		89	a		89	b			
20	c		55	a		90	b		90	d			
21	c		56	c		91	a		91	a			
22	d		57	b		92	a		92	c			
23	b		58	d		93	a		93	a			
24	a		59	d		94	d		94	c			
25	d		60	c		95	b		95	c			
26	a		61	c		96	a		96	d			
27	c		62	a		97	d		97	b			
28	d		63	b		98	c		98	a			
29	d		64	c		99	a		99	a			
30	c		65	d		100	a		100	c			
31	a		66	c		101	b		101	b			
32	c		67	d		102	a		102	a			
33	c		68	b		103	a		103	d			
34	c		69	d		104	a		104	c			
35	a		70	a		105	c		105	a			
									106	b			
									107	b			
									108	c			
									109	d			
									110	a			