

# The BCPL Cintsys and Cintpos User Guide

*by*

**Martin Richards**

`mr@cl.cam.ac.uk`

<http://www.cl.cam.ac.uk/users/mr10/>

Computer Laboratory  
University of Cambridge

Revision date: Mon Oct 17 10:41:43 BST 2016

## **Abstract**

BCPL is a simple systems programming language with a small fast compiler which is easily ported to new machines. The language was first implemented in 1967 and has been in continuous use since then. It is a typeless and provides machine independent pointer arithmetic allowing a simple way to represent vectors and structures. BCPL functions are recursive and variadic but, like C, do not allow dynamic free variables, and so can be represented by just their entry addresses. There is no built-in garbage collector and all input-output is done using library calls.

This document describes both the single threaded BCPL Cintcode System (called Cintsys) and the Cintcode version of the Tripos portable operating system (called Cintpos). It gives a definition of the language including an extended version (using the `xbcpl` compiler) containing such features as floating point and the `op-becomes` operator. The manual also describes the standard library and running environment. The native code version of the system based on Sial and the Cintpos portable operating system are also described. Installation instructions are included. Since May 2013, the standard BCPL distribution supports both 32 and 64 bit Cintcode versions. Since August 2014, standard Cintcode BCPL includes floating point constants and operators.

## **Keywords**

Systems programming language, Typeless language, BCPL, Cintcode, Coroutines, Cintpos.



# Contents

<b>Preface</b>	<b>v</b>
<b>1 The System Overview</b>	<b>1</b>
1.1 A Cintsys Console Session . . . . .	1
1.2 A Cintpos Console Session . . . . .	7
<b>2 The BCPL Language</b>	<b>11</b>
2.1 Language Overview . . . . .	12
2.1.1 Comments . . . . .	12
2.1.2 The GET Directive . . . . .	13
2.1.3 Conditional Compilation . . . . .	13
2.1.4 Section Brackets . . . . .	14
2.2 Expressions . . . . .	14
2.2.1 Names . . . . .	14
2.2.2 Constants . . . . .	14
2.2.3 Function Calls . . . . .	18
2.2.4 Method Calls . . . . .	18
2.2.5 Prefixed Expression Operators . . . . .	19
2.2.6 Infix Expression Operators . . . . .	19
2.2.7 Boolean Evaluation . . . . .	20
2.2.8 VALOF Expressions . . . . .	21
2.2.9 Expression Precedence . . . . .	21
2.2.10 Manifest Constant Expressions . . . . .	22
2.3 Commands . . . . .	22
2.3.1 Assignments . . . . .	22
2.3.2 Routine Calls . . . . .	23
2.3.3 Conditional Commands . . . . .	23
2.3.4 Repetitive Commands . . . . .	24
2.3.5 SWITCHON command . . . . .	24
2.3.6 Flow of Control . . . . .	25
2.3.7 Compound Commands . . . . .	25
2.3.8 Blocks . . . . .	26
2.4 Declarations . . . . .	26

2.4.1	Labels . . . . .	26
2.4.2	Manifest Declarations . . . . .	27
2.4.3	Global Declarations . . . . .	27
2.4.4	Static Declarations . . . . .	27
2.4.5	LET Declarations . . . . .	28
2.4.6	Local Variable Declarations . . . . .	28
2.4.7	Local Vector Declarations . . . . .	28
2.4.8	Function and Routine Declarations . . . . .	29
2.4.9	Dynamic Free Variables . . . . .	30
2.5	Separate Compilation . . . . .	31
2.6	The <code>objline1</code> Feature . . . . .	32
<b>3</b>	<b>The Library</b>	<b>33</b>
3.1	Manifest constants . . . . .	33
3.2	Global Variables . . . . .	43
3.3	Global Functions . . . . .	45
3.3.1	Streams . . . . .	80
3.3.2	The Filing System . . . . .	82
3.4	Random Access . . . . .	83
3.5	RAM streams . . . . .	83
3.6	Environment Variables . . . . .	84
3.7	Coroutine examples . . . . .	85
3.7.1	A square wave generator . . . . .	85
3.7.2	Hamming's Problem . . . . .	86
3.7.3	A Discrete Event Simulator . . . . .	88
3.8	The Graphics Library . . . . .	94
3.8.1	The Graphics Constants . . . . .	94
3.8.2	The Graphics Global Variables . . . . .	94
3.8.3	The Graphics Functions . . . . .	95
3.9	The SDL Graphics Library . . . . .	96
3.10	The GL Graphics Library . . . . .	97
3.11	The Sound Library . . . . .	98
3.11.1	The Sound Constants . . . . .	98
3.11.2	The Sound Global Variables . . . . .	98
3.11.3	The Sound Functions . . . . .	98
3.12	The EXT Library . . . . .	98
<b>4</b>	<b>The Command Language</b>	<b>99</b>
4.1	Bootstrapping Cintsys . . . . .	99
4.2	Bootstrapping Cintpos . . . . .	101
4.2.1	The Cintpos BOOT module . . . . .	101
4.2.2	<code>startroot</code> . . . . .	102
4.3	Commands . . . . .	105

4.4	<code>cli.b</code> and <code>cli_init.b</code> . . . . .	129
<b>5</b>	<b>Console Input and Output</b>	<b>131</b>
5.1	Cintsys console streams . . . . .	131
5.2	Cintpos console streams . . . . .	132
5.2.1	Devices . . . . .	133
5.2.2	Exclusive Input . . . . .	134
5.2.3	Direct access to the screen and keyboard . . . . .	134
<b>6</b>	<b>Cintpos Devices</b>	<b>135</b>
6.0.4	The Clock Device . . . . .	135
6.0.5	The Keyboard Device . . . . .	136
6.0.6	The Screen Device . . . . .	136
6.0.7	TCP/IP Devices . . . . .	136
<b>7</b>	<b>The Debugger</b>	<b>139</b>
7.1	The Cintsys Debugger . . . . .	139
7.2	The Cintpos Debugger . . . . .	143
<b>8</b>	<b>The Design of OCODE</b>	<b>145</b>
8.1	Representation of OCODE . . . . .	145
8.2	The OCODE Abstract Machine . . . . .	146
8.3	Loading and Storing values . . . . .	147
8.4	Field Selection Operators . . . . .	148
8.5	Expression Operators . . . . .	149
8.6	Functions and Routines . . . . .	150
8.7	Control . . . . .	152
8.8	Directives . . . . .	152
8.9	Discussion . . . . .	153
<b>9</b>	<b>The Design of Cintcode</b>	<b>155</b>
9.1	Designing for Compactness . . . . .	156
9.1.1	Global Variables . . . . .	157
9.1.2	Composite Instructions . . . . .	158
9.1.3	Relative Addressing . . . . .	158
9.2	The Cintcode Instruction Set . . . . .	159
9.2.1	Byte Ordering and Alignment . . . . .	159
9.2.2	Loading Values . . . . .	161
9.2.3	Indirect Load . . . . .	162
9.2.4	Expression Operators . . . . .	162
9.2.5	Simple Assignment . . . . .	163
9.2.6	Indirect Assignment . . . . .	164
9.2.7	Function and Routine Calls . . . . .	164

9.2.8	Flow of Control and Relations . . . . .	166
9.2.9	Switch Instructions . . . . .	166
9.2.10	Miscellaneous . . . . .	167
9.2.11	Floating-point Instructions . . . . .	169
9.2.12	Select Instructions . . . . .	169
9.2.13	Undefined Instructions . . . . .	169
9.2.14	Corruption of B . . . . .	170
9.2.15	Exceptions . . . . .	170
<b>10</b>	<b>The Design of Sial</b>	<b>171</b>
10.1	The Sial Specification . . . . .	173
10.2	The <code>sial-386</code> Translator . . . . .	180
10.3	Compaction of Sial . . . . .	185
<b>11</b>	<b>The MC Package</b>	<b>187</b>
11.1	MC Example . . . . .	187
11.2	MC Library Functions . . . . .	191
11.3	The MC Language . . . . .	192
11.4	MC Debugging Aids . . . . .	200
11.5	The n-queens Demonstration . . . . .	200
<b>12</b>	<b>Installation</b>	<b>205</b>
12.1	Linux Installation . . . . .	205
12.2	Command Line Arguments . . . . .	208
12.3	Installation on Other Machines . . . . .	209
12.4	Installation for Windows XP . . . . .	209
12.5	Installation using Cygwin . . . . .	210
12.6	Installation for Windows CE2.0 . . . . .	211
12.7	The Native Code Version . . . . .	211
<b>13</b>	<b>Example Programs</b>	<b>213</b>
13.1	Coins . . . . .	213
13.2	Primes . . . . .	214
13.3	Queens . . . . .	214
13.4	Fridays . . . . .	215
13.5	Lambda Evaluator . . . . .	216
13.6	Fast Fourier Transform . . . . .	220
	<b>Bibliography</b>	<b>223</b>
<b>A</b>	<b>BCPL Syntax Diagrams</b>	<b>225</b>

# Preface

The concept for BCPL originated in 1966 and was first outlined in my PhD thesis [4]. It was first implemented early in 1967 when I was working at M.I.T. Its heyday was perhaps from the mid 70s to the mid 80s, but even now it is still continues to be used at some universities, in industry and by private individuals. It is a useful language for experimenting with algorithms and for research in optimizing compilers. Cintpos is the multi-tasking version of the system based on the Tripos [5]. It is simple and easy to maintain and can be used for real-time applications such as process control. BCPL was designed many years ago but is still useful in areas where small size, simplicity and portability are important.

This document is intended to provide a record of the main features of the BCPL in sufficient depth to allow a serious reader to obtain a proper understanding of philosophy behind the language. An efficient interpretive implementation is presented, the source of which is freely available via my home page [3]. The implementation is machine independent and should be easy to transfer to almost any architecture both now and in the future.

The main topics covered by this report are:

- A specification of the BCPL language.
- A description of its runtime library and the extensions used in the Cintpos system.
- The design and implementation of command language interpreters for both the single and multi-threaded versions of the system.
- A description of OCODE, the intermediate code used in the compiler, and Cintcode, the compact byte stream target code used by the interpreter.
- A description of the single and multi-threaded interactive debugger and other debugging aids.
- The efficient implementation of the Cintcode interpreter for several processors including both RISC and i386/Pentium based machines.
- The profiling and statistics gathering facilities offered by the system.

- The SIAL intermediate code that allows easy translation of BCPL in native code for most architectures, including, for instance, the Raspberry Pi.
- The MC package that allows machine independent dynamic compilation and execution of native machine code.

MR



# Chapter 1

## The System Overview

This document contains a full description of an interpretive implementation of BCPL that supports a command language and low level interactive debugger. As an introduction, two example console sessions are presented to exhibit some of the key features of both the single threaded version of the system (Cintsys) and the interpretive version of Tripos (Cintpos).

### 1.1 A Cintsys Console Session

When the Cintsys system is started (on a machine called c223) in the directory `bcplprogs/demo`, its opening message is as follows:

```
c223$ cintsys
```

```
BCPL Cintcode System (30 Sept 2010)
0.000>
```

The characters `0.000>` are followed by a space character and is the command language prompt string inviting the user to type a command. The number gives the execution time in seconds of the preceding command. A program called `fact.b` in directory `com` to compute factorials can be displayed using the `type` command as follows:

```
0.000> type com/fact.b
GET "libhdr"
```

```
LET start() = VALOF
{ FOR i = 1 TO 5 DO writef("fact(%n) = %i4*n", i, fact(i))
  RESULTIS 0
}
```

```
AND fact(n) = n=0 -> 1, n*fact(n-1)
0.000>
```

The directive `GET "libhdr"` causes the standard library declarations to be inserted at that position. The text:

```
LET start() = VALOF
```

is the heading for the declaration of the function `start` which, by convention, is the first function to be called when a program is run. The empty parentheses `()` indicate that the routine expects no arguments. The text

```
FOR i = 1 TO 5 DO
```

introduces a for-loop whose control variable `i` successively takes the values from 1 to 5. The body of the for-loop is a call of the library function `writeln` whose effect is to output the format string after replacing the substitution items `%n` and `%i4` by appropriately formatted representations of `i` and `fact(i)`. Within the string `*n` represents the newline character. The statement `RESULTIS 0` exits from the `VALOF` construct providing the result of `start` that indicates the program completed successfully. The text:

```
AND fact(n) =
```

introduces the definition of the function `fact` which take one argument (`n`) and yields `n` factorial. The word `AND` causes `fact` to be available to the previously defined function. This program can be compiled by using the following command:

```
0.000> bcpl com/fact.b to fact
```

```
BCPL (5 Oct 2010)
Code size = 104 bytes
0.030>
```

This command compiles the source file `fact.b` creating an executable object module in the file called `fact`. The program can then be run by simply typing the name of this file.

```
0.030> fact
fact(1) = 1
fact(2) = 2
fact(3) = 6
fact(4) = 24
fact(5) = 120
0.000>
```

When the BCPL compiler is invoked, it can be given additional arguments that control the compiler options. One of these (`d1`) directs the compiler to output the compiled code in a readable form, as follows:

```
10> bcpl com/fact.b to fact d1
```

```
BCPL (5 Oct 2010)
0: DATAW 0x00000000
4: DATAW 0x0000DFDF
```

```

    8: DATAW 0x6174730B
   12: DATAW 0x20207472
   16: DATAW 0x20202020
// Entry to:  start
   20: L1:
   20:  L1
   21:  SP3
   22: L4:
   22:  LP3
   23:  LF  L2
   25:  K9
   26:  SP9
   27:  LP3
   28:  SP8
   29:  LLL  L9920
   31:  K4G  94
   33:  L1
   34:  AP3
   35:  SP3
   36:  L5
   37:  JLE  L4
   39:  L0
   40:  RTN
   44: L9920:
   44: DATAW 0x6361660F
   48: DATAW 0x6E252874
   52: DATAW 0x203D2029
   56: DATAW 0x0A346925
   60: DATAW 0x0000DFDF
   64: DATAW 0x6361660B
   68: DATAW 0x20202074
   72: DATAW 0x20202020
// Entry to:  fact
   76: L2:
   76:  JNE0  L5
   78:  L1
   79:  RTN
   80: L5:
   80:  LM1
   81:  AP3
   82:  LF  L2
   84:  K4
   85:  LP3
   86:  MUL
   87:  RTN
   88: L3:
   88: DATAW 0x00000000
   92: DATAW 0x00000001
   96: DATAW 0x00000014
  100: DATAW 0x0000005E
Code size = 104 bytes
0.030>

```

This output shows the sequence of Cintcode instructions compiled for the both functions `start` and `fact`. In addition to these instructions, there are some data words holding the string constant, initialisation data and symbolic information for

the debugger. The data word at location 4 holds a special bit pattern indicating the presence of a function name placed just before the entry point. As can be seen the name in this case is `start`. Similar information is packed at location 60 for the function `fact`. Most Cintcode instructions occupy one byte and perform simple operations on the registers and memory of the Cintcode machine. For instance, the first two instructions of `start` (`L1` and `SP3` at locations 20 and 21) load the constant 1 into the Cintcode A register and then stores it at word 3 of the current stack frame (pointed to by P). This corresponds to the initialisation of the for-loop control variable `i`. The start of the for-loop body has label `L4` corresponding to location 22. The compilation of `fact(i)` is `LP3 LF L2 K9` which loads `i` and the entry address of `fact` and enters the function incrementing P by 9 locations). The result of this function is returned in A which is stored in the stack using `SP9` in the appropriate position for the third argument of the call of `writeln`. The second argument, `i`, is setup using `LP3 SP8`, and the first argument which is the format string is loaded by `LLL L9920`. The next instruction (`K4G 94`) causes the routine `writeln`, whose entry point is in global variable 94, to be called incrementing P by 4 words as it does so. Thus the compilation of the call `writeln("fact(%n) = %i5*n", i, f(i))` occupies just 11 bytes from location 22 to 32, plus the 16 bytes at location 44 where the string is packed. The next three instructions (`L1 AP3 SP3`) increment `i`, and `L5 JNE L4` jumps to label `L4` if `i` is still less than 5. If the jump is not taken, control falls through to the instructions `L0 RTN` causing `start` to return with result 0. Each instruction of this function occupies one byte except for the `LF`, `LLL`, `K4G` and `JNE` instructions which each occupy two. The body of the function `fact` is equally easy to understand. It first tests whether its argument is zero (`JNE0 L5`). If it is, it returns one (`L1 RTN`). Otherwise, it computes `n-1` by loading `-1` and adding `n` (`LM1 AP3`) before calling `fact` (`LF L2 K4`). The result is then multiplied by `n` (`LP3 MUL`) and returning (`RTN`). The space occupied by this code is just 12 bytes.

The debugger can be entered using the abort command.

```
0.030> abort
```

```
!! ABORT 99: User requested
*
```

The asterisk is the prompt inviting the user to enter a debugging command. The debugger provides facilities for inspecting and changing memory as well as setting breakpoints and performing single step execution. As an example, a breakpoint is placed at the first instruction of the routine `clihook` which is used by the command language interpreter (CLI) to transfer control to a command. Consider the following commands:

```
* g4 b1
* b
1:   clihook
*
```

This first loads the entry point of `clihook` (held in global variable 4) and sets (b1) a breakpoint numbered 1 at this position. The command `b`, without an argument, lists the current breakpoints confirming that the correct one has been set. Normal execution is continued using the `c` command.

```
* c
0.010>
```

If we now try to execute the factorial program, we immediately hit the breakpoint.

```
O> fact

!! BPT 1:      clihook
   A=          0 B=          0  17940:   K4G  1
*
```

This indicates that the breakpoint occurred when the Cintcode registers A and B were both zero, and that the program counter is set to 17940 where the next instruction to be obeyed is `K4G 1`. Single step execution can now be performed using the `\` command.

```
* \ A=          0 B=          0  46276:   L1
* \ A=          1 B=          0  46277:   SP3
* \ A=          1 B=          0  46278:   LP3
*
```

After each single step execution a summary of the current state is printed. In the above sequence we see that the execution of the instruction `L1` loading 1 into the A register. The execution of `SP3` does not have an immediately observable effect since it updates a local variable held in the current stack frame, but the stack frame can be displayed using the `t` command.

```
* p t4

P   0:          46420          17942          start          1
*
```

This confirms that location `P3` contains the value 1 corresponding to the initial value of the for-loop control variable `i`. At this stage it is possible to change its value to 3, say.

```
* 3 sp3
* p t4

P   0:          46420          17942          start          3
*
```

If single stepping is continued for a while we observe the evaluation of the recursive call `fact(3)`.

```

* \ A=          3 B=          1 46279:    LF 46332
* \ A=      fact B=          3 46281:    K9
* \ A=          3 B=          3 46332:   JNE0 46336
* \ A=          3 B=          3 46336:    LM1
* \ A=         -1 B=          3 46337:    AP3
* \ A=          2 B=          3 46338:    LF 46332
* \ A=      fact B=          2 46340:    K4
* \ A=          2 B=          2 46332:   JNE0 46336
* \ A=          2 B=          2 46336:    LM1
* \ A=         -1 B=          2 46337:    AP3
* \ A=          1 B=          2 46338:    LF 46332
* \ A=      fact B=          1 46340:    K4
* \ A=          1 B=          1 46332:   JNE0 46336
* \ A=          1 B=          1 46336:    LM1
* \ A=         -1 B=          1 46337:    AP3
* \ A=          0 B=          1 46338:    LF 46332
* \ A=      fact B=          0 46340:    K4
* \ A=          0 B=          0 46332:   JNE0 46336
* \ A=          0 B=          0 46334:    L1
* \ A=          1 B=          0 46335:    RTN
* \ A=          1 B=          0 46341:    LP3
* \ A=          1 B=          1 46342:    MUL
* \ A=          1 B=          1 46343:    RTN
* \ A=          1 B=          1 46341:    LP3
* \ A=          2 B=          1 46342:    MUL
* \ A=          2 B=          1 46343:    RTN
* \ A=          2 B=          1 46341:    LP3
* \ A=          3 B=          2 46342:    MUL
* \ A=          6 B=          2 46343:    RTN
* \ A=          6 B=          2 46282:    SP9
* \ A=          6 B=          2 46283:    LP3
* \ A=          3 B=          6 46284:    SP8
* \ A=          3 B=          6 46285:    LLL 46300
* \ A=    11575 B=          3 46287:    K4G 94
*

```

At this moment the routine `writef` is just about to be entered to print an message about factorial 3. We can unset breakpoint 1 and continue normal execution by typing `0b1 c`.

```

* 0b1 c
fact(3) =    6
fact(4) =   24
fact(5) =  120
0.010>

```

As one final example in this session we will re-compile the BCPL compiler.

```
0.010> bcpl com/bcpl.b to junk
```

```

BCPL (5 Oct 2010)
Code size = 22076 bytes
Code size = 12500 bytes
0.280>

```

This shows that the total size of the compiler is 34,576 bytes and that it can be compiled (on a 1.6GHz Pentium machine) in 0.280 seconds. Since this involves executing 28,261,599 Cintcode instructions, the rate is just over 100 million Cintcode instructions per second with the current interpreter.

## 1.2 A Cintpos Console Session

When the Cintpos system is started (on a machine called meopham) in the directory `Cintpos/cintpos`, its opening message is as follows:

```
meopham$ cintpos
Cintpos System (09 Mar 2010)
0.000 1>
```

There is a directory called `com` that holds the BCPL source code of several Cintpos commands, such as `bcpl.b`, `bench100.b` and `fact.b`. We can inspect `fact.b` using the `type` command as follows.

```
0.000 1> type com/fact.b
SECTION "fact"

GET "libhdr"

LET f(n) = n=0 -> 1, n*f(n-1)

LET start() = VALOF
{ FOR i = 1 TO 10 DO
  writef("f(%i2) = %i8*n", i, f(i))
  RESULTIS 0
}
0.000 1>
```

It can be compiled and run as follows.

```
0.000 1> c bc fact
bcpl com/fact.b to cin/fact hdrs POSHDRS

BCPL (20 Oct 2009)
Code size = 120 bytes
0.020 1> fact
f( 1) =      1
f( 2) =      2
f( 3) =      6
f( 4) =     24
f( 5) =    120
f( 6) =    720
f( 7) =   5040
f( 8) =  40320
f( 9) = 362880
f(10) = 3628800
0.000 1>
```

There is a benchmark program called `bench100.b` which can be compiled and run as follows.

```
0.000 1> c bc bench100
bcpl com/bench100.b to cin/bench100 hdrs POSHDRS
```

```
BCPL (20 Oct 2009)
Code size = 1444 bytes
0.040 1> bench100
```

```
bench mark starting, Count=1000000
```

```
starting
```

```
finished
qpkt count = 2326410 holdcount = 930563
these results are correct
end of run
9.170 1>
```

The latest prompt (9.170 1>) indicates that the benchmark program took 9.17 seconds to run and that we are connected to the root command language interpreter running as task one.

When Cintpos starts these are six resident tasks which can be seen using the `status` command as follows.

```
0.000 1> status
Task 1: Root_Cli      running CLI          Loaded command: status
Task 2: Debug_Task   waiting DEBUG
Task 3: Console_Handler waiting COHAND
Task 4: File_Handler waiting FHO
Task 5: MBX_Handler  waiting MBXHAND
Task 6: TCP_Handler  waiting TCPHAND
0.010 1>
```

Task 2 is an interactive debugging aid, task 3 handles communication between tasks and the keyboard and display devices, task 4 handles communication between tasks and the filing system, task 5 provides a mailbox facility that allows communication of short text messages between tasks and, finally, task 6 handles TCP/IP communication between tasks and the internet.

Tasks may be dynamically created and destroyed. For instance, the `run` command will create a new CLI task giving it a command to run.

```
0.010 1> run status
0.000 1> Task 1: Root_Cli      waiting CLI          No command loaded
Task 2: Debug_Task   waiting DEBUG
Task 3: Console_Handler waiting COHAND
Task 4: File_Handler waiting FHO
Task 5: MBX_Handler  waiting MBXHAND
Task 6: TCP_Handler  waiting TCPHAND
Task 7: Run_Cli      running CLI          Loaded command: status
```



Notice that the root CLI (task 1) completes the execution of the `run` command and issues a prompt (`0.000 1>`) before the newly created CLI (task 7) has had time to load and run the `status` command. As soon as task 7 finishes running the `status` command it commits suicide leaving the original 6 tasks.

The `bounce.b` program provides a demonstration of communication between Cintpos tasks work.

```
0.000 1> type com/bounce.b
SECTION "bounce"

GET "libhdr"

LET start() BE qpkt(taskwait()) REPEAT
0.000 1>
```

It can be compiled and run as follows.

```
0.000 1> c bc bounce
bcpl com/bounce.b to cin/bounce hdrs POSHDRS

BCPL (20 Oct 2009)
Code size = 60 bytes
0.010 1> run bounce
0.000 1> status
Task 1: Root_Cli      running CLI      Loaded command: status
Task 2: Debug_Task   waiting DEBUG
Task 3: Console_Handler waiting COHAND
Task 4: File_Handler waiting FHO
Task 5: MBX_Handler  waiting MBXHAND
Task 6: TCP_Handler  waiting TCPHAND
Task 7: Run_Cli      waiting CLI      Loaded command: bounce
0.000 1>
```

The `status` output shows that the `bounce` program is running as task 7 and is suspended in `taskwait` waiting for another task to send it a packet. When it receives a packet it immediately returns it to the sender and waits for another to arrive. We can send a suitable packet to `bounce` using the `send` command whose source code is as follows.

```
0.000 1> type com/send.b
SECTION "send"

GET "libhdr"

GLOBAL { task: 200; count: 201 }

LET start() BE
{ LET pkt = VEC 2
  LET argv = VEC 50

  UNLESS rdargs("TASK/n,COUNT/n", argv, 50) DO
  { writef("Bad arguments for SEND*n")
    stop(20)
```

```

}

task, count := 7, 1_000_000
IF argv!0 DO task := !argv!0
IF argv!1 DO count := !argv!1

pkt!0, pkt!1, pkt!2 := notinuse, task, count

writef("\nSending a packet to task %n, %n times*n", task, count)

{ LET k = pkt!2
  UNLESS k BREAK
  pkt!2 := k-1
  qpkt(pkt)
  pkt := taskwait()
} REPEAT

writes("Done*n")
}
0.010 1>

```

This program creates a packet consisting of a vector (one dimensional array) of three elements. The first is used by the system for chaining packets together and must be initialised to the special value `notinuse`. The next element of the packet (`pkt!1`) holds the destination task number and the final element (`pkt!2`) holds a value (initially 1000000) which is going to be used as a counter. The `REPEAT` loop decrements this counter field and sends the packet using `qpkt` to the bounce task suspending itself in `taskwait` until the packet returns. Control leaves the `REPEAT` loop when the counter reaches zero, causing `send` to output the message `Done`. We can compile and run `send` as follows.

```

0.010 1> c bc send
bcpl com/send.b to cin/send hdrs POSHDRS

BCPL (20 Oct 2009)
Code size = 252 bytes
0.020 1> send

Sending a packet to task 7, 1000000 times
Done
3.940 1>

```

This demonstration shows that a packet may be sent from one task to another 2 million times in 3.94 seconds. This corresponds to a rate of just over half a million times per second.

## Chapter 2

# The BCPL Language

The design of BCPL owes much to the work done on CPL (originally Cambridge Programming Language) which was conceived at Cambridge to be the main language to run on the new and powerful Ferranti Atlas computer to be installed in 1963. At that time there was another Atlas computer in London and it was decided to make the development of CPL a joint project between the two Universities. As a result the name changed to Combined Programming Language. It could reasonably be called Christopher's Programming Language in recognition of Christopher Strachey whose bubbling enthusiasm and talent steered the course of its development.

CPL was an ambitious language in the ALGOL tradition but with many novel and significant extensions intended to make its area of application more general. These included a greater richness in control constructs such as the now well known `IF`, `UNLESS`, `WHILE`, `UNTIL`, `REPEATWHILE`, `SWITCHON` statements. It could handle a wide variety of data types including string and bit patterns and was one of the first strictly typed languages to provide a structure mechanism that permitted convenient handling of lists, trees and directed graphs. Work on CPL ran from about 1961 to 1967, but was hampered by a number of factors that eventually killed it. It was, for instance, too large and complicated for the machines available at the time, and the desire for elegance and mathematical cleanliness outweighed the more pragmatic arguments for efficiency and implementability. Much of the implementation was done by research students who came and left during the lifetime of the project. As soon as they knew enough to be useful they had to transfer their attention to writing theses. Another problem (that became of particular interest to me) was that the implementation at Cambridge had to move from EDSAC II to the Atlas computer about halfway through the project. The CPL compiler thus needed to be portable. This was achieved by writing it in a simple subset of CPL which was then hand translated into a sequence of low level macro calls that could be expanded into the assembly language of either machine. The macrogenerator used was GPM[6] designed by Strachey specifically for this task. A delightfully elegant work of art in its own right it is well worth study. A

variant of GPM, called BGPM, is included in the standard BCPL distribution.

BCPL was initially similar to this subset of CPL used in the encoding of the CPL compiler. An outline of BCPL's main features first appeared in my PhD thesis [4] in 1966 but it was not fully designed and implemented until early the following year when I was working at Project MAC of the Massachusetts Institute of Technology. Its first implementation was written in Ross's Algol Extended for Design (AED-0)[1] which was the only language then available on CTSS, the time sharing system at Project MAC, other than LISP that allowed recursion.

## 2.1 Language Overview

A BCPL program is made up of separately compiled sections, each consisting of a list of declarations that define the constants, static data and functions belonging to the section. Within functions it is possible to declare dynamic variables and vectors that exist only as long as they are required. The language is designed so that these dynamic quantities can be allocated space on a runtime stack. The addressing of these quantities is relative to the base of the stack frame belonging to the current function activation. For this to be efficient, dynamic vectors have sizes that are known at compile time. Functions may be called recursively and their arguments are called by value. The effect of call by reference can be achieved by passing pointers. Input and output and other system operations are provided by means of library functions.

The main syntactic components of BCPL are: expressions, commands, and declarations. These are described in the next few sections. In general, the purpose of an expression is to compute a value, while the purpose of a command is normally to change the value of one or more variables or to perform input/output.

### 2.1.1 Comments

There are two form of comments. One starts with the symbol `//` and extends up to but not including the end-of-line character, and the other starts with the symbol `/*` and ends at a matching occurrence of `*/`. Comment brackets (`/*` and `*/`) may be nested, and within such a comments the lexical analyser is only looking for `/*` and `*/` and so care is needed when commenting out fragments of program containing string constants. Comments are equivalent to white space and so may not occur in the middle of multi-character symbols such as identifiers or constants.

### 2.1.2 The GET Directive

A directives of the form `GET "filename"` is replaced by the contents of the named file. Early versions of the compiler only inserted the file up to the first occurring dot but now the entire file is inserted. By convention, `GET` directives normally appear on separate lines. If the filename does not end in `.h` or `.b` the extension `.h` is added.

The name is looked up by first searching the current directory and then the directories specified by the environment variable whose name is held in the `rtn_hdrsvar` of the rootnode, but this can be overridden using the `hdrs` compiler option. The default environment variable for BCPL headers is `BCPLHDRS` under Cintsys and `POSHDRS` under Cintpos. Header files are normally in the `g/` directory in the root directory of the current system. To check whether the environment variables are set correctly, enter `cintsys` or `cintpos` with the `-f` option as suggested in Section 3.6.

### 2.1.3 Conditional Compilation

A simple mechanism, whose implementation takes fewer than 20 lines of code in the lexical analyser allows conditional skipping of lexical symbols. It uses directives of the following form:

```

$$tag
$<tag
$~tag
$>tag

```

where *tag* is conditional compilation tag composed of letters, digits, dots and underlines. All tags are initially unset, but may be complemented using the `$$tag` directive. All the lexical tokens between `$<tag` and `$>tag` are skipped (treated as comments) unless the specified tag is set. All the lexical tokens between `$~tag` and `$>tag` are skipped unless the specified tag is not set.

The following example shows how this conditional compilation feature can be used.

```

$$Linux // Set the Linux conditional compilation tag

$<Linux // Include if the Linux tag is set
  $<WinXP $$WinXP $>WinXP // Unset the WinXP tag if set
  writef("This was compiled for Linux")
$>Linux
$<WinXP // Include if the WinXP tag is set
  writef("This was compiled for Windows XP")
$>WinXP

```

### 2.1.4 Section Brackets

Historically BCPL used the symbols  $\$($  and  $\$)$  to bracket commands and declarations. These symbols are called section brackets and are allowed to be followed by tags composed of letters, digits, dots and underlines. A tagged closing section bracket is forced to match with its corresponding open section bracket by the automatic insertion of extra closing brackets as needed. Use of this mechanism is no longer recommended since it can lead to obscure programming errors. BCPL has been extended to allow all untagged section brackets to be replaced by  $\{$  and  $\}$  as appropriate.

## 2.2 Expressions

Expressions are composed of names, constants and expression operators and may be grouped using parentheses. The precedence and associativity of the different expression constructs is given in Section 2.2.9. In the most implementation of BCPL expressions yield values that are 32 bits long, but now 64 bit implementations are becoming more common.

### 2.2.1 Names

Syntactically a name is of a sequence of letters, digits, dots and underlines starting with a letter that is not one of the reserved words (such as `IF`, `WHILE`, `TABLE`). The use of dots in names is no longer recommended, and should be replaced by underscores.

A name may be declared as a local variable, a static variable, a global variable, a manifest constant, a label or a function. Since the language is typeless, the value of a name is a bit pattern whose interpretation depends on how it is used.

### 2.2.2 Constants

Decimal numbers consist of a sequence of digits, while binary, octal or hexadecimal are represented, respectively, by `#b`, `#o` or `#x` followed by digits of the appropriate sort. The case of the letters in hexadecimal numbers is not significant nor is the case of the letters `b`, `o` or `x` after `#`. The `o` may be omitted in octal numbers. Underlines may be inserted within numbers to improve their readability.

The following are examples of valid numbers:

```
1234
1_234_456
#B_1011_1100_0110
#o377
#X3fff
#x_DEADCODE
```

Since August 2014, floating point constants are now allowed, such as the following:

```
1234.0
1.234_456e-5
10e0
```

A floating point constant must start with a digit and contain a decimal point (.) or an exponent sign (e or E). BCPL floating point numbers are the same size as other BCPL words and so, on 32-bit implementations, the precision is limited to about 6 decimal places. BCPL floating point will be more useful when it becomes available on 64-bit versions of BCPL. The compiler does not know the target representation of floating point values and so they cannot be used in manifest constants. The IEEE floating point standard is used for the representation of floating point number. For instance, for 32-bit numbers there is one sign bit, 8 exponent bits and 23 significand bits.

TRUE and FALSE are reserved words that have values -1 and 0, respectively, representing the two truth values. They can be used in manifest constant expressions. Whenever a boolean test is made, the value is compared with with FALSE (=0). BITSPERBCPLWORD is also a reserved word whose value is 32 or 64 depending on whether the BCPL compiler is running on a 32 or 64-bit system. This constant was added on 16 May 2013 to allow the same header file to be used on both 32- and 64-bit Cintcode systems. It is used in the MANIFEST declarations of constants such as `bytesperword` and `minint` that are word length dependent. If you are using an older BCPL compiler with the latest version of `libhdr.h` you will need to un-comment a line that declares `BITSPERBCPLWORD` as a MANIFEST constant with the appropriate value for the system you are using.

A question mark (?) may be used as a constant with undefined value. It can be used in statements such as:

```
LET a, b, count = ?, ?, 0
sendpkt(notinuse, rdtask, ?, ?, Read, buf, size)
```

Constants of the form: `SLCT len:shift:offset` pack the three constants *len*, *shift* and *offset* into a word. Such packed constants are used by the field selection operator `OF` to access fields of given length, shift and offset relative to a pointer as described in Section 2.2.6. The *len* and *shift* components are optional. Their omission has the following effect.

*SLCT shift:offset* means *SLCT 0:shift:offset*  
*SLCT offset* means *SLCT 0:0:offset*

Character constants consist of a single character enclosed in single quotes ('). The character returns a value in the range 0 to 255 corresponding to its normal ASCII encoding.

Character (and string) constants may use the following escape sequences.



Escape	Replacement
*n	A newline (end-of-line) character.
*c	A carriage return character.
*p	A newpage (form-feed) character.
*s	A space character.
*b	A backspace character.
*t	A tab character.
*e	An escape character.
*"	"
*'	'
**	*
*xhh	The single character with number <i>hh</i> (two hexadecimal digits denoting an integer in the range [0,255]).
*ddd	The single character with number <i>ddd</i> (three octal digits denoting an integer in the range [0,255]).
*#g	Set the encoding mode to GB2312 for the rest of this string or character constant. The default encoding is UTF8 unless speified by the GB2312 compiler option, See the specification of the <code>bcp1</code> command on page 106.
*#u	Set the encoding mode to UTF8 for the rest of this string or character constant.
*#hhhh	In UTF8 mode, this specifies a single Unicode character with up to four hexadecimal digits. In string constants, this is converted to a sequence of bytes giving its UTF-8 representation. In character constants, it yields the integer <i>hhhh</i> . Thus <code>'*#C13F'=#xC13F</code> .
*##h..h	In UTF8 mode, this specifies a Unicode character with up to eight hexadecimal digits, but is otherwise treated as the <code>*#hhhh</code> escape.
*#dddd	In GB2312 mode, this specifies the GB2312 decimal code ( <i>dddd</i> ) for an extended character. In string constants, this is converted to a sequence of bytes giving its GB2312 representation. In character constants, it yields the integer <i>dddd</i> . Thus <code>'*#g*#4566'=4566</code> .
*f..f*	This sequence is ignored, where <i>f..f</i> stands for a sequence of white space characters. In this context, comments introduced by <code>'//'</code> are treated as white space, but those introduced by <code>'/*'</code> are not.

A string constant consists of a sequence of zero or more characters enclosed within quotes (`"`). Both string and character constants use the same character escape mechanism described above. The value of a string is a pointer where the

length and bytes of the string are packed. If `s` is a string then `s%0` is its length and `s%1` is its first character, see Section 2.2.6. The `*#` escapes allow Unicode and GB2312 characters to be handled. For instance, if the following statements output to a suitable UTF8 configured device:

```
writef("##uUnicode hex 2200 prints as: '##2200'*n")
writef("%%# in writef can also be used: '%#'*n", #x2200)
```

the result is as follows

```
Unicode hex 2200 prints as: '∨' %# in writef can also be used: '∨'
```

A static vector can be created using an expression of the following form: `TABLE  $K_0, \dots, K_n$`  where  $K_0, \dots, K_n$  are manifest constant expressions, see Section 2.2.10. The space for a static vector is allocated for the lifetime of the program and its elements are updateable.

### 2.2.3 Function Calls

Syntactically, a function call is an expression followed by an argument list enclosed in parentheses as in the following examples.

```
newline()
mk3(Mult, x, y)
writef("f(%n) = %n*n", i, f(i))
f(1,2,3)
(fntab!i)(p, @a)
```

The parentheses are required even if no arguments are given. The last example above illustrates a call in which the function is specified by an expression. If the function being called was declared by a routine declaration, the result of the call will be undefined. See Section 2.4.8 for more details.

### 2.2.4 Method Calls

Method calls are designed to make an object oriented style of programming more convenient. They are syntactically similar to a function calls but uses a hash symbol (`#`) to separate the function specifier from its arguments. The expression:

$$E\#(E_1, \dots, E_n)$$

is defined to be equivalent to:

$$(E_1!0!E)(E_1, \dots, E_n)$$

Here,  $E_1$  points to the fields of an object, with the convention that its zeroth field ( $E_1!0$ ) is a pointer to the methods vector. Element  $E$  of this vector is applied to the given set of arguments. Normally,  $E$  is a manifest constant. An example program illustrating method calls can be found in `BCPL/bcplprogs/demos/objdemo.b` in the BCPL distribution system (see Chapter 12).

### 2.2.5 Prefixed Expression Operators

An expression of the form  $!E$  returns the contents of the memory word pointed to by the value of  $E$ .

An expression of the form  $@E$  returns a pointer to the word sized memory location specified by  $E$ .  $E$  can only be a variable name or an expression with leading operator  $!$ .

Expressions of the form:  $+E$ ,  $-E$ ,  $ABS E$ ,  $\sim E$  and  $NOT E$  return the result of applying the given prefixed operator to the value of the expression  $E$ . The operator  $+$  returns the value unchanged,  $-$  returns the integer negation,  $ABS$  returns the absolute value,  $\sim$  and  $NOT$  return the bitwise complement of the value.

The following floating point prefixed operators are allowed: `FLOAT`, `FIX`, `#ABS`, `#+` and `#-`. `FLOAT E` converts the integer  $E$  to its floating point representation. `FIX E` converts the floating point value  $E$  to its closest integer representation. `#ABS E` returns the absolute value of the floating point number  $E$ , and `#+` and `#-` perform monadic plus and minus on floating point values.

### 2.2.6 Infix Expression Operators

An expression of the form  $E_1!E_2$  evaluates  $E_1$  and  $E_2$  to yield respectively a pointer,  $p$  say, and an integer,  $n$  say. The value returned is the contents of the  $n^{th}$  word relative to  $p$ .

An expression of the form  $E_1\%E_2$  evaluates  $E_1$  and  $E_2$  to yield a pointer,  $p$  say, and an integer,  $n$  say. The expression returns a word sized result equal to the unsigned byte at position  $n$  relative to  $p$ .

An expression of the form  $K \text{ OF } E$  accesses a field of consecutive bits in memory.  $K$  must be a manifest constant (see section 2.2.10) equal to `SLCT len:shift:offset` and  $E$  must yield a pointer,  $p$  say. The field is contained entirely in the word at position  $p+offset$ . It has a bit length of  $len$  and is  $shift$  bits from the right hand end of the word. A length of zero is interpreted as the longest length possible consistent with  $shift$  and the word length of the implementation. The operator `::` is a synonym of `OF`. Both may be used on right and left hand side of assignments statements but not as the operand of `@`. When used in a right hand context the selected field is shifted to the right hand end of the result with vacated positions, if any, filled with zeros. A shift to the left is performed

when a field is updated. Suppose `p!3` holds the value `#x12345678`, then after the assignment:

```
(SLCT 12:8:3) OF p := 1 + (SLCT 8:20:3) OF p
```

the value of `p!3` is `#x12302478`.

An expressions of the form  $E_1 \ll E_2$  (or  $E_1 \gg E_2$ ) evaluates  $E_1$  and  $E_2$  to yield a bit pattern,  $w$  say, and an integer,  $n$  say, and returns the result of shifting  $w$  to the left (or right) by  $n$  bit positions. Vacated positions are filled with zeroes. Negative shifts or ones of more than the word length return 0.

Expressions of the form:  $E_1 * E_2$ ,  $E_1 / E_2$ ,  $E_1 \text{ MOD } E_2$ ,  $E_1 + E_2$ ,  $E_1 - E_2$ .  $E_1 \text{ EQV } E_2$  and  $E_1 \text{ XOR } E_2$  return the result of applying the given operator to the two operands. The operators are, respectively, integer multiplication, integer division, remainder after integer division, integer addition, integer subtraction, bitwise equivalent and bitwise not equivalent (exclusive OR). `REM` and `NEQV` can be used as synonyms of `MOD` and `XOR`, respectively.

Expressions of the form:  $E_1 \& E_2$  and  $E_1 | E_2$  return, respectively, the bitwise AND or OR of their operands unless the expression is being evaluated in a boolean context such as the condition in a while command, in which case the operands are tested from left to right until the value of the condition is known.

An expression of the form:  $E \text{ relop } E \text{ relop } \dots \text{ relop } E$  where each *relop* is one of `=`, `~=`, `<=`, `>=`, `<` or `>` returns `TRUE` if all the individual relations are satisfied and `FALSE`, otherwise. The operands are evaluated from left to right, and evaluation stops as soon as the result can be determined. Operands may be evaluated more than once, so don't try `'0' <= rdch() <= '9'`.

An expression of the form:  $E_1 \rightarrow E_2, E_3$  first evaluates  $E_1$  in a boolean context, and, if this yields `FALSE`, it returns the value of  $E_3$ , otherwise it returns the value of  $E_2$ .

The floating point operators `#+`, `#/`, `#+`, `#-`, `#=`, `\#~=`, `#<`, `#>`, `#<=` and `#>=` are now allowed. They have the same binding power as the corresponding integer operators. Beware that, since BCPL has no type checking, it is easy make serious mistakes such as `1.2+3.4` which performs integer addition of the bit patterns representing 1.2 and 3.4. The expression should have been written `1.2#+3.4`.

## 2.2.7 Boolean Evaluation

Expressions that control the flow of execution in conditional constructs, such as `if` and `while` commands, are evaluated in a Boolean context. This effects the treatment of the operators `NOT`, `&` and `|` whose operands are evaluated in Boolean contexts. In a Boolean context, the operands of `&` and `|` are evaluated from left to right until the value of the condition is known, and `NOT` (or `~`) negates the condition.

### 2.2.8 VALOF Expressions

An expression of the form `VALOF C`, where  $C$  is a command, is evaluated by executing the command  $C$ . On encountering a command of the form `RESULTIS E` within  $C$ , execution terminates, returning the value of  $E$  as the result of the `VALOF` expression. Valof expressions are often used as the bodies of functions.

### 2.2.9 Expression Precedence

So that the separator semicolon (`;`) can be omitted at the end of any line, there is the restriction that infix operators may not occur as the first token of a line. So, if the first token on a line is `!`, `+` or `-`, these must be regarded as prefixed operators.

The syntax of BCPL is specified by the diagrams in Appendix A, but a summary of the precedence of expression operators is given in table 2.1. The precedence values are in the range 0 to 9, with the higher values signifying greater binding power. The letters L and R denote the associativity of the operators. For instance, the dyadic operator `-` is left associative and so `a-b-c` is equivalent to `(a-b)-c`, while `b1->x, b2->y, z` is right associative and so is equivalent to `b1->x, (b2->y, z)`.

9	Names, Literals, ?, TRUE, FALSE, BITSPERBCPLWORD (E),	
9L	SLCT : Function and method calls	Field selector constants
8L	! % OF	Dyadic
7	! @	Prefixed
6L	* / MOD REM	Dyadic operators
5	+ - ABS	
4	= ~= <= >= < >	Extended Relations
4L	<< >>	
3	~ NOT	Bitwise and Boolean operators
3L	&	
2L		
1L	EQV NEQV XOR	
1R	-> ,	Conditional expression
0	VALOF TABLE	Valof and Table expressions

Table 2.1: Operator precedence

Notice that these precedence values imply that

! f x	means	! (f x)
! @ x	means	! (@ x)
! v ! i ! j	means	! ((v!i)!j)
@ v ! i ! j	means	@ ((v!i)!j)
x << 1+y >> 1	means	(x<<(1+y))>>1)
~ x!y	means	~ (x!y)
~ x=y	means	~ (x=y)
NOT x=y	means	NOT (x=y)
b1-> x, b2 -> y,z	means	b1 -> x, (b2 -> y, z)

### 2.2.10 Manifest Constant Expressions

Manifest constant expressions can be evaluated at compile time. They may only consist of manifest constant names, numbers and character constants, TRUE, FALSE, BITSPERBCPLWORD, ?, the operators REM, MOD, SLCT, \*, /, +, -, ABS, the relational operators, <<, >>, NOT, ~, &, |, EQV, NEQV, XOR, and conditional expressions. Manifest expressions are used in MANIFEST, GLOBAL and STATIC declarations, the upper bound in vector declarations and the step length in FOR commands, and as the left hand operand of OF.

## 2.3 Commands

The primary purpose of commands is for updating variables, for input/output operations, and for controlling the flow of control.

### 2.3.1 Assignments

A command of the form  $L:=E$  updates the location specified by the expression  $L$  with the value of expression  $E$ . The following are some examples:

```
cg_x := 1000
v!i := x+1
!ptr := mk3(op, a, b)
str%k := ch
%strp := 'A'
SLCT 8:10:1 OF p := 5
```

Syntactically,  $L$  must be either a variable name or an expression whose leading operator is !, % or OF. If it is a name, it must have been declared as a static or dynamic variable. If the name denotes a function or label, it is only updateable if it has been declared to reside in the global vector. If  $L$  has leading operator !, then the location it refers to is updated by the assignment. If the % operator is

used, the appropriate 8 bit location is updated by the least significant 8 bits of  $E$ .

If the left hand side is of the form  $S\text{ OF }E$  then the field specified by the selector  $S$  in the structure pointed to by  $E$  is updated.  $S$  must be a manifest expression (typically a manifest name with a value specified using the `SLCT` operator). For more details see the specification of `SLCT` on page 19.

A multiple assignment has the following form:

$$L_1, \dots, L_n := E_1, \dots, E_n$$

This construct allows a single command to make several assignments without needing to be enclosed in section brackets. The assignments are done from left and is equivalent to:

$$L_1 := E_1 ; \dots ; L_n := E_n$$

In extended BCPL compiled using `xbcp1`, in addition to `:=` the assignment operator of the form  $op :=$  where  $op$  is one of: `!`, `*`, `/`, `+`, `-`, `#*`, `#/`, `#+`, `#-`, `&`, `|`, `EQV` or `XOR`. The assignment  $E1\ op := E2$  is equivalent to  $E1 := E1\ op\ E2$  but is more compact and typically implemented more efficiently. The operators `!`, `#*`, `#/`, `#+` and `#-` are only allowed if the target field is a full BCPL word. So the leading operator of the left hand side may not be `%` nor `OF` unless the field specified is a full BCPL word.

In extended BCPL a multiple assignment has the form:

$$L_1, \dots, L_n\ op := E_1, \dots, E_n$$

The assignments are done from left and is equivalent to:

$$L_1\ op := E_1 ; \dots ; L_n\ op := E_n$$

These extended assignment operators are only available in the extended version of the BCPL compiler `xbcp1`.

### 2.3.2 Routine Calls

Both function calls and method calls as described in sections 2.2.3 and 2.2.4 are allowed to be executed as commands. Any results produced are discarded.

### 2.3.3 Conditional Commands

The syntax of the three conditional commands is as follows:

```
IF  $E$  DO  $C_1$ 
UNLESS  $E$  DO  $C_2$ 
TEST  $E$  THEN  $C_1$  ELSE  $C_2$ 
```

where  $E$  denotes an expression and  $C_1$  and  $C_2$  denote commands. The symbols **DO** and **THEN** may be omitted whenever they are followed by a command keyword. To execute a conditional command, the expression  $E$  is evaluated in a Boolean context. If it yields a non zero value and  $C_1$  is present then  $C_1$  is executed. If it yields zero and  $C_2$  is present,  $C_2$  is executed.

### 2.3.4 Repetitive Commands

The syntax of the repetitive commands is as follows:

```

WHILE  $E$  DO  $C$ 
UNTIL  $E$  DO  $C$ 
 $C$  REPEAT
 $C$  REPEATWHILE  $E$ 
 $C$  REPEATUNTIL  $E$ 
FOR  $N = E_1$  TO  $E_2$  DO  $C$ 
FOR  $N = E_1$  TO  $E_2$  BY  $K$  DO  $C$ 

```

The symbol **DO** may be omitted whenever it is followed by a command keyword. The **WHILE** command repeatedly executes the command  $C$  as long as  $E$  is non-zero. The **UNTIL** command executes  $C$  until  $E$  is zero. The **REPEAT** command executes  $C$  indefinitely. The **REPEATWHILE** and **REPEATUNTIL** commands first execute  $C$  then behave like **WHILE  $E$  DO  $C$**  or **UNTIL  $E$  DO  $C$** , respectively.

The **FOR** command first initialises its control variable ( $N$ ) to the value of  $E_1$ , and evaluates the end limit  $E_2$ . Until  $N$  moves beyond the end limit, the command  $C$  is executed and  $N$  increment by the step length given by  $K$  which must be a manifest constant expression (see Section 2.2.10). If **BY  $K$**  is omitted **BY 1** is assumed. A **FOR** command starts a new dynamic scope and the control variable  $N$  is allocated a location within this new scope, as are all other dynamic variables and vectors within the **FOR** command.

### 2.3.5 SWITCHON command

A **SWITCHON** command has the following form:

```

SWITCHON  $E$  INTO {  $C_1$  ; ... ;  $C_n$  }

```

where the commands  $C_1$  to  $C_n$  may have labels of the form **DEFAULT:** or **CASE  $K$** .  $E$  is evaluated and then a jump is made to the place in the body labelled by the matching **CASE** label. If no **CASE** label with the required value exists, then control goes to the **DEFAULT** label if it exists, otherwise execution continues from just after the switch.



### 2.3.6 Flow of Control

The following commands affect the flow of control.

```

RESULTIS E
RETURN
ENDCASE
LOOP
BREAK
GOTO E
FINISH

```

**RESULTIS** causes evaluation of the smallest textually enclosing **VALOF** expression to return with the value of *E*.

**RETURN** causes evaluation of the current routine to terminate.

**LOOP** causes a jump to the point just after the end of the body of the smallest textually enclosing repetitive command (see Section 2.3.4). For a **REPEAT** command, this will cause the body to be executed again. For a **FOR** command, it causes a jump to where the control variable is incremented, and for the **REPEATWHILE** and **REPEATUNTIL** commands, it causes a jump to the place where the controlling expression is re-evaluated.

**BREAK** causes a jump to the point just after the smallest enclosing repetitive command (see Section 2.3.4).

**ENDCASE** causes execution of the commands in the smallest enclosing **SWITCHON** command to complete.

The **GOTO** command jumps to the command whose label is the value of *E*. See Section 2.4.1 for details on how labels are declared. The destination of a **GOTO** must be within the currently executing function or routine.

**FINISH** only remains in BCPL for historical reasons. It is equivalent to the call `stop(0, 0)` which causes the current program to stop execution. See the description of `stop(code, res)` page 62.

### 2.3.7 Compound Commands

It is often useful to be able to execute commands in a sequence, and this can be done by writing the commands one after another, separated by semicolons and enclosed in section brackets. The syntax is as follows:

$$\{ C_1; \dots; C_m \}$$

where  $C_1$  to  $C_m$  are commands. It is permissible to have no commands in a command sequence, thus `{}` is allowed and performs no commands.

Any semicolon occurring at the end of a line may be omitted. For this rule to work, infix expression operators may never start a line (see Section 2.2.9).

In extended BCPL compilerd by `xbcp1` a more binding version of the sequencing operator is allowed. It is the symbol `<>` and behaves like semicolon but is more binding than `DO`, `THEN`, `ELSE`, `REPEATWHILE`, `REPEATUNTIL` and `REPEAT`. Its purpose is to reduce the need for section brackets (`{` or `}`) as in

```
IF x<y DO t:=x <> x:=y <> y:=t
```

which is equivalent to:

```
IF x<y DO { t:=x; x:=y; y:=t }
```

### 2.3.8 Blocks

A block is similar to a compound command but may start with some declarations. The syntax is as follows:

$$\{ D_1; \dots; D_n; C_1; \dots; C_m \}$$

where  $D_1$  to  $D_n$  are delarations and  $C_1$  to  $C_m$  are commands. The declarations are executed in sequence to initialise any variables declared. A name may be used on the right hand side of its own and succeeding declarations and the commands (the body) of the block.

## 2.4 Declarations

Each name used in BCPL program must in the scope of its declaration. The scope of names declared at the outermost level of a program include the right hand side of its own declaration and all the remaining declarations in the section. The scope of names declared at the head of a block include the right hand side of its own declaration, the succeeding declarations and the body of the block. Such declarations are introduced by the keywords `MANIFEST`, `STATIC`, `GLOBAL` and `LET`. A name is also declared when it occurs as the control variable of a for loop. The scope of such a name is the body of the for loop.

### 2.4.1 Labels

The only other way to declare a name is as a label of the form  $N:$ . This may prefix a command or occur just before the closing section bracket of a compound command or block. The scope of a label is the body of the block or compound command in which it was declared.

### 2.4.2 Manifest Declarations

A MANIFEST declaration has the following form:

$$\text{MANIFEST } \{ N_1 = K_1; \dots; N_n = K_n \}$$

where  $N_1, \dots, N_n$  are names (see Section 2.2.1) and  $K_1, \dots, K_n$  are manifest constant expressions (see Section 2.2.10). Each name is declared to have the constant value specified by the corresponding manifest expression. If a value specification ( $=K_i$ ) is omitted, the a value one larger than the previously defined manifest constant is implied, and if  $=K_1$  is omitted, then  $=0$  is assumed. Thus, the declaration:

$$\text{MANIFEST } \{ A; B; C=10; D; E=C+100 \}$$

declares A, B, C, D and E to have manifest values 0, 1, 10, 11 and 110, respectively.

### 2.4.3 Global Declarations

The global vector is a permanently allocated region of store that may be directly accessed by any (separately compiled) section of a program (see Section 2.5). It provides the main mechanism for linking together separately compiled sections. A GLOBAL declaration allows a names to be explicitly associated with elements of the global vector. The syntax is as follows:

$$\text{GLOBAL } \{ N_1:K_1; \dots; N_n:K_n \}$$

where  $N_1, \dots, N_n$  are names (see Section 2.2.1) and  $K_1, \dots, K_n$  are manifest constant expressions (see Section 2.2.10). Each constant specifies which global vector element is associated with each variable.

If a global number ( $:K_i$ ) is omitted, the next global variable element is implied. If  $:K_1$  is omitted, then  $:0$  is assumed. Thus, the declaration:

$$\text{GLOBAL } \{ a; b:200; c; d:251 \}$$

declares the variables a, b, c and d occupy positions 0, 200, 201 and 251 of the global vector, respectively.

### 2.4.4 Static Declarations

A STATIC declaration has the following form:

$$\text{STATIC } \{ N_1=K_1; \dots; N_n=K_n \}$$

where  $N_1, \dots, N_n$  are names (see Section 2.2.1) and  $K_1, \dots, K_n$  are manifest constant expressions (see Section 2.2.10). Each name is declared to be a statically allocated variable initialised to the corresponding manifest expression. If a value specification ( $=K_i$ ) is omitted, the a value one larger than the previously defined manifest constant is implied, and if  $=K_1$  is omitted, then  $=0$  is assumed. Thus, the declaration:

```
STATIC { A; B; C=10; D; E=100 }
```

declares A, B, C, D and E to be static variables having initial values 0, 1, 10, 11 and 100, respectively.

### 2.4.5 LET Declarations

LET declarations are used to declare local variables, vectors, functions and routines. The textual scope of names declared in a LET declaration is the right hand side of its own declaration (to allow the definition to be recursive), and subsequent declarations and the commands.

Local variable, vector, function and routine declarations can be combined using the word AND. The only effect of this is to extend the scope of names declared forward to the word LET, thus allowing the declaration of mutually recursive functions and routines. AND serves no useful purpose for local variable and vector declarations.

### 2.4.6 Local Variable Declarations

A local variable declaration has the following form:

```
LET  $N_1, \dots, N_n = E_1, \dots, E_n$ 
```

where  $N_1, \dots, N_n$  are names (see Section 2.2.1) and  $E_1, \dots, E_n$  are expressions. Each name,  $N_i$ , is allocated space in the current stack frame and is initialized with the value of  $E_i$ . Such variables are called dynamic variables since they are allocated when the declaration is executed and cease to exist when control leaves their scope. The variables  $N_1, \dots, N_n$  are allocated consecutive locations in the stack and so, for instance, the variable  $N_i$  may be accessed by the expression  $(@N_1)!(i - 1)$ . This feature is a recent addition to the language.

The query expression (?) should be used on the right hand side when a variable does not need an initial value.

### 2.4.7 Local Vector Declarations

```
LET  $N = \text{VEC } K$ 
```

where  $N$  is a name and  $K$  is a manifest constant expression. A location is allocated for  $N$  and initialized to a vector whose lower bound is 0 and whose upper bound is  $K$ . The variable  $N$  and the vector elements ( $N!0$  to  $N!K$ ) reside in the runtime stack and only continue to exist while control remains within the scope of the declaration.

### 2.4.8 Function and Routine Declarations

These declarations have the following form:

```
LET  $N$  (  $N_1, \dots, N_n$  ) =  $E$ 
LET  $N$  (  $N_1, \dots, N_n$  ) BE  $C$ 
```

where  $N$  is the name of the function or routine being declared,  $N_1, \dots, N_n$  are its formal parameters. A function is defined using = and returns  $E$  as result. A routine is defined using BE and executes the command  $C$  without returning a result.

Some example declarations are as follows:

```
LET wrpn(n) BE { IF n>9 DO wrpn(n/10)
                wrch(n REM 10 + '0')
                }
LET gray(n) = n XOR n>>1
LET next() = VALOF { c := c+1
                   RESULTIS !c
                   }
```

If a function or routine is declared in the scope of a global variable with the same name then the global variable is given an initial value representing that function or routine (see section 2.5).

A function is defined using equals (=) and has a result when called, while a routine is defined using BE and has an undefined result. If a function is invoked as a routine its result is thrown away, and if a routine is invoked as a function its result is undefined. Functions and routines are otherwise similar. See section 2.2.3 for information about the syntax of function and routine calls.

The arguments of a functions and routines behave like named elements of a dynamic vector and so exist only for the lifetime of the call. This vector has as many elements as there are formal parameters and they receive their initial values from the actual parameters of the call. Functions and routines are variadic; that is, the number of actual parameters need not equal the number of formals. If there are too few actual parameters, the missing ones are left uninitialized, and if there are too many actual parameters, the extra ones are evaluated and then discarded. Notice that arguments can be accessed by the expressions ( $@x$ )!0,

$(@x)!1, (@x)!2, \dots$  where  $x$  is the first argument. This feature is useful in the definition of functions, such as `writeln`, having a variable number of arguments. The scope of the formal parameters is the body of the function or routine.

Function and routine calls are cheap in both space and execution time, with a typical space overhead of three words of stack per call plus one word for each formal parameter. In the Cintcode implementation, the execution overhead is typically just one Cintcode instruction for the call and one for the return.

There are two important restrictions concerning functions and routines. One is that a `GOTO` command cannot make a jump to a label not declared within the current function or routine, although such non local jumps can be made using `level` and `longjump`, described on page 54. The other is that dynamic free variables are not permitted.

### 2.4.9 Dynamic Free Variables

Free variables of a function or routine are those that are used but not declared in the function or routine, and they are restricted to be either manifest constants, static variables, global variables, functions, routines or labels. This implies that they are not permitted to be dynamic variables (ie local variables of another function or routine). There are several reasons for this restriction, including the ability to represent a function or routine by a single BCPL word, the ability to provide a safe separate compilation with the related ability to assign functions and routines to variables. It also allows calls to be efficient. Programmers used to languages such as Algol or Pascal will find that they need to change their programming style somewhat; however, most experienced BCPL users agree that the restriction is well worthwhile. Note that C adopted the same restriction, although in that language it is imposed by the simple expedient of insisting that all function are declared at the outermost level, thus making dynamic free variables syntactically impossible.

A style of programming that is often be used to avoid the dynamic free variable

restriction is exemplified below.

```

GLOBAL { var:200 }

LET f1(...) BE
{ LET oldvar = var      // Save the current value of var
  var := ...           // Use var during the call of f1
  ...
  f2(...)              // var may be used in f2
  ...
  IF ... DO f1(...)    // f1 may be called recursively
  var := oldvar        // restore the original value of var
}

AND f2(...) BE        // f2 uses var as a free variable
{ ... var ... }

```

## 2.5 Separate Compilation

Large BCPL programs can be split up into sections that can be compiled separately. When loaded into memory they can communicate with each other using a special area of store called the *Global Vector*. This mechanism is simple and machine independent and was put into the language since linkage editors at the time were so primitive and machine dependent.

Variables residing in the global vector are declared by GLOBAL declarations (see section 2.4.3). Such variables can be shared between separately compiled sections. This mechanism is similar to the used of BLANK COMMON in Fortran, however there is an additional simple rule to permit access to functions and routines declared in different sections.

If the definition of a function or routine occurs within the scope of a global declaration for the same name, it provides the initial value for the corresponding global variable. Initialization of such global variables takes place at load time.

The three files shown in Table 2.1 form a simple example of how separate compilation can be organised.

File demohdr	File demolib.b	File demomain.b
GET "libhdr"	GET "demohdr"	GET "demohdr"
GLOBAL { f:200 }	LET f(...) = VALOF { ... }	LET start() BE { ... f(...) }

Table 2.1 - Separate compilation example

When these sections are loaded, global 200 is initialized to the entry point of function `f` defined in `demolib.b` and so it can be called from the function `start` defined in `demomain.b`.

The header file, `libhdr`, contains the global declarations of all the resident library functions and routines making all these accessible to any section that started with: `GET "libhdr"`. The library is described in the next chapter. Global variable 1 is called `start` and is, by convention, the first function to be called when a program is run.

Automatic global initialisation also occurs if a label declared by colon (`:`) occurs in the scope of a global of the same name.

Although the global vector mechanism has disadvantages, particularly in the organisation of library packages, there are some compensating benefits arising from its extreme simplicity. One is that the output of the compiler is available directly for execution without the need for a link editing step. Sections may also be loaded and unloaded dynamically during the execution of a program using the library functions `loadseg` and `unloadseg`, and so arbitrary overlaying schemes can be organised easily. An example of where this is used is in the implementation of the Command Language Interpreter described in Chapter 4. The global vector also allows for a simple but effective interactive debugging system without the need for compiler constructed symbol tables. Again, this was devised when machines were small, disc space was very limited and modern day linkage editors had not been invented; however, some of its advantages are still relevant today.

## 2.6 The `objline1` Feature

If a file named `objline1` is found in the current directory or the other directories searched by `GET` directives, its first line is copied as the first line of the compiled Cintcode module. This will typically put a line such as:

```
#!/usr/local/bin/cintsys -c
```

as the first line of the compiled object module. This line is ignored by the CLI but under Linux it allows Cintcode programs to be called directly from a Linux shell. If `objline1` cannot be found no such line is inserted at the start of the object module.



# Chapter 3

## The Library

This manual describes three variants of the BCPL system. The simplest is invoked by the shell command `cintsys` and provides a single threaded command language interpreter. The system invoked by `cintpos` provides a multi-threaded system where the individual threads (called tasks) are run in parallel and are pre-emptible. A third version is available for some architectures and provides a single threaded version in which the BCPL source is compiled into native machine code. Although this version is faster, it is more machine dependent, has fewer debugging aids and will only run a single command.

The libraries of these three systems have much in common and so are all described together. The description of all constants, variables and functions have a right justified line such as the following

CIN:y, POS:y, NAT:n

where `CIN:`, `POS:` and `NAT:` denote the single threaded, multi-threaded and native code versions, respectively, and the letters `y` and `n` stand for yes and no, showing whether the corresponding constant, variable or function is available on that version of the system.

The resident library functions, variables and manifest constants are declared in the standard library header file `g/libhdr.h`. Most of the functions are defined in BCPL in either `sysb/blib.b` or `sysb/dlib.b`, but three functions (`sys`, `chgco` and `muldiv`) are in the hand written Cintcode file `cin/syscin/syslib`. Most functions relating to the multi-threaded version are defined in `klib.b`.

The following three sections describe the manifest constants, variables and functions (in alphabetical order) provided by the standard library.

### 3.1 Manifest constants

**B2Wsh**

CIN:y, POS:y, NAT:y

This constant holds the shift required to convert a BCPL pointer into a byte address.

Most implementations use pack 4 bytes into 32-bit words requiring `B2Wsh=2`, but on 64-bit implementations, such as native code on the DEC Alpha or the 64-bit Cintcode version of BCPL, its value is 3.

**bootregs** CIN:n, POS:y, NAT:n  
 This is the location in Cintcode memory used in Cintpos to hold Cintcode registers during system startup.

**bytesperword** CIN:y, POS:y, NAT:y  
 Its value is  $1 \ll B2Wsh$  being the number of bytes that can be packed into a BCPL word. On 32-bit implementations it is 4, and on 64-bit versions it is 8.

**bitsperbyte** CIN:y, POS:y, NAT:y  
 This specifies the number of bits per byte. On most systems `bitsperbyte` is 8.

**bitsperword** CIN:y, POS:y, NAT:y  
 Its value is `bitsperbyte*bytesperword` being the number of bits per BCPL word. It is usually 32, but can be 64.

**CloseObj** CIN:y, POS:y, NAT:y  
 This identifies the position of the `close` method in objects using BCPL's version of object oriented programming. Typical use is as follows:

```
CloseObj#(obj)
```

For more details, see `mkobj` described on page 55.

**co\_c, co\_fn, co\_list, co\_parent, co\_pptr, co\_size** CIN:y, POS:y, NAT:y  
 These are the system fields as the base of coroutine stacks. If a coroutine is suspended, its `pptr` field holds the stack frame pointer (P) at the time it became suspended. The `parent` field points to the parent coroutine, if it has one, or is -1 for root coroutines, and is zero otherwise. The `list` field holds the next coroutine in the list of coroutines originating from global `colist`. The `fn` and `size` fields hold the coroutine's main function and stack size, and the `c` field is a system work location. For more information about coroutines, see `createco` described on page 47.

**deadcode** CIN:y, POS:y, NAT:n  
 To aid debugging, the entire Cintcode memory is initialised to `deadcode`. Typically `deadcode=#xDEADCODE`.

**endstreamch** CIN:y, POS:y, NAT:y  
 This is the value returned by `rdch` when reading from a stream that is exhausted. Its value is normally -1.

**entryword** CIN:y, POS:y, NAT:n  
 To aid debugging, every functions entry point is marked by `entryword`. This is normally followed by a function name compressed into a string of 11 characters. If the

function name is too long its first and last five character are packed into the string separated by a single quote '. Typically `entryword=#x0000DFDF`.

**fl...** CIN:y, POS:y, NAT:n

Constants of the form `fl...` are mnemonics for the floating point operations performed by the call `sys(Sysflt, op, ...)` as described near page 65.

**globword** CIN:y, POS:y, NAT:n

This constant is used to assist the debugging of Cintcode programs. If the  $i^{th}$  global variable is not otherwise set, its value is `globword+i`. Typically `globword=#x8F8F0000`.

**id\_inscb, id\_inoutscb, id\_outscb** CIN:y, POS:y, NAT:n

These constants are mnemonics for the possible values of the `id` field of a stream control block. See `scb_id` below.

**InitObj** CIN:y, POS:y, NAT:y

This identifies the position of the `init` method in objects using BCPL's version of object oriented programming. Typical use is as follows:

```
InitObj#(obj, arg1, arg2)
```

For more details, see `mkobj` described on page 55.

**isrregs** CIN:n, POS:y, NAT:n

Under Cintpos this is the location in Cintcode memory used to hold the Cintcode registers representing the state at the start of the interrupt service routine.

**klibregs** CIN:n, POS:y, NAT:n

Under Cintpos This is the location in Cintcode memory used to hold Cintcode registers during system startup.

**mcaddrinc** CIN:y, POS:y, NAT:y

This is the difference between machine addresses of consecutive words in memory and is usually 4 or 8. Very occasionally, BCPL implementations have negatively growing stacks, in which case `mcaddrinc` will be negative.

**maxint, minint** CIN:y, POS:y, NAT:y

The constant `minint` is  $1 \ll (\text{bitsperword} - 1)$  and `maxint` is  $-\text{minint} - 1$ . They hold the most negative and largest positive numbers that can be represented by a BCPL word. On 32-bit implementations, they are normally `#x80000000` and `#x7FFFFFFF`.

**pollingch** CIN:n, POS:y, NAT:n

This is the value returned by `rdch` if a character is not immediately available from the currently selected stream. Its value is normally `-3`. Currently only TCP streams under Cintpos provide the polling mechanism.

**rootnodeaddr** CIN:y, POS:y, NAT:n

This manifest constant is used in Cintsys and Cintpos to hold the address of the root node. Its value is otherwise zero.

**rtn...** CIN:y, POS:y, NAT:y

The root node is a vector accessible to all running programs to provide access to all global information. It is available in all versions of BCPL but many of its fields are only used in Cintpos. The global variable `rootnode` holds a pointer to the root node. On some systems the address of the root node is also held in the manifest constant `rootnodeaddr`. Manifest constants starting with `rtn_` give the positions of the fields within the root node.

**rtn\_abortcode** CIN:y, POS:y, NAT:n

This rootnode field holds the most recent return code from a command language interpreter (CLI). It is used by commands such as `dumpsys` and `dumpdebug` when inspecting Cintcode memory dumps.

**rtn\_adjclock** CIN:y, POS:y, NAT:n

This rootnode field holds a correction in minutes to be added to the time of day supplied by the system. It is normally set to zero.

**rtn\_blklist** CIN:y, POS:y, NAT:y

All blocks of memory whether free or in used are chained together in increasing address order. This rootnode field points to the first in the chain.

**rtn\_blib** CIN:y, POS:y, NAT:n

Under Cintsys and Cintpos this rootnode field holds the appropriate versions of the modules BLIB, SYSLIB and DLIB chained together.

**rtn\_boot** CIN:y, POS:y, NAT:n

Under Cintsys and Cintpos this rootnode field holds the appropriate version of the BOOT module.

**rtn\_boottrace** CIN:y, POS:y, NAT:n

Under Cintsys and Cintpos this rootnode field holds 0, 1, 2 or 3. The default value is 0 but can be incremented using the `-v` option. Larger values of `boottrace` generate more tracing information.

**rtn\_bptaddr, rtn\_bptinstr** CIN:y, POS:y, NAT:n

These each hold vectors of 10 elements used by the standalone debugger to hold breakpoint addresses and operation codes overwritten by BRK instructions. They are in the rootnode to make them accessible to the debug task in Cintpos and to the `dumpdebug` command.

**rtn\_clkintson** CIN:n, POS:y, NAT:n

Under Cintpos, this boolean field controls whether clock interrupts are enabled. It is provided to make single step execution possible within the interactive debugger without interference from clock interrupts. For more details see the chapter on the debugger starting on page 139.

- rtn\_clwkq** CIN:n, POS:y, NAT:n  
 Under Cintpos, this field is used to holds the ordered list of packets waiting to be released by the clock device.
- rtn\_context** CIN:y, POS:y, NAT:n  
 Under certain circumstances the entire Cintcode memory is dumped in a compacted form to the file `DUMP.mem` for later inspection by commands such as `dumpsys` and `dumpdebug`. This field is set at the time a dump file is written to specify why the dump was requested. The possible values are as follows:
- 1: dump caused by second SIGINT
  - 2: dump caused by SIGSEGV
  - 3: fault in BOOT or standalone debug
  - 4: dump by user calling `sys(Sys_quit, -2)`
  - 5: dump caused by non zero user fault code
  - 6: dump requested from standalone debug
- rtn\_crntask** CIN:y, POS:y, NAT:n  
 Under Cintpos, this rootnode field point to the TCB of the currently running task, which is the highest priority task that can run.
- rtn\_days** CIN:y, POS:y, NAT:n  
 This field holds the number of days since 1 January 1970. It is updated by the interpreter normally within a milli-second of the date changing.
- rtn\_dbgvars** CIN:y, POS:y, NAT:n  
 This rootnode field holds vectors of 10 elements used by the standalone debugger to hold the debugger variables `V0` to `V9`. It is in the rootnode to make it accesible to the debug task (in Cintpos) and to the `dumpdebug` command.
- rtn\_dcount** CIN:y, POS:y, NAT:n  
 This holds a point to the debug count vector.
- rtn\_devtab** CIN:y, POS:y, NAT:n  
 Under Cintpos, this holds the Cintpos device table. The zeroth entry is the table's upperbound and each other entries is either zero, or points to the device control block (DCB) of the corresponding device. Some devices are handled directly in `qpkt` and the interpreter thread. Currently the clock (device `-1`) and `ttyout` (device `-3`) are handled in this way. This improved the performance of output to the screen and cause the clock to have a resolution of about 1 milli-second.
- rtn\_dumpflag** CIN:y, POS:y, NAT:n  
 If `dumpflag` is TRUE when Cintsys or Cintpos exits, the entire Cintcode memory is dumped in a compacted form to the file `DUMP.mem` for later inspection by commands such as `dumpsys` or `dumpdebug`.
- rtn\_envlist** CIN:y, POS:y, NAT:n  
 This rootnode field holds the list of logical name-value pairs used by the functions `setlogval` and `getlogval`, and the CLI command `setlogval`.

**rtn\_hdrsvar** CIN:y, POS:y, NAT:n

This field holds the name of the environment variable giving the directories holding BCPL headers, typically "BCPLHDRS" or "POSHDRS". See Section 3.6 for more details.

**rtn\_idletcb** CIN:n, POS:y, NAT:n

This rootnode field holds the TCB of the IDLE task for used by the standalone debugger and the commands `dumpsys` and `dumpdebug`. The task number of the IDLE task is zero but it is not a proper task and does not have an entry in the task table. The Cintpos scheduler give it control when all other tasks are suspended.

**rtn\_info** CIN:y, POS:y, NAT:n

This rootnode field holds a vector of information that can be shared between all tasks. It is typically a vector of 50 elements. The use of these elements are system dependent.

**rtn\_insadebug** CIN:n, POS:y, NAT:n

This rootnode field is used by the keyboard input device of Cintpos to tell it whether to place a newly received character in a request packet or just store it in the `lastch` field.

**rtn\_intflag** CIN:y, POS:y, NAT:n

This flag is set to `TRUE` on receiving an interrupt from the user (typically a SIGINT signal generated by ctrl-C) and is reset to `FALSE` whenever the standalone debugger is entered. Cintsys or cintpos exits if a user interrupt is received when `intflag` is `TRUE` or if control is within `BOOT` or `sadebug`.

**rtn\_keyboard** CIN:y, POS:y, NAT:n

This rootnode field holds the stream control block for the standard keyboard device.

**rtn\_klib** CIN:y, POS:y, NAT:n

Under Cintpos this rootnode field holds the the KLIB module. It is otherwise zero.

**rtn\_lastch** CIN:n, POS:y, NAT:n

This rootnode field holds the most recent character received from the keyboard device. The standalone debugger uses it for polling input. On reading this field the standalone debugger resets it to `pollingch=-3`.

**rtn\_lastg, rtn\_lastp, rtn\_lastst** CIN:y, POS:y, NAT:n

These rootnode fields hold the most recent settings of the Cintcode P, G and ST registers. They are used by the commands `dumpsys` and `dumpdebug` when inspecting a Cintcode memory dump caused by faults such as memory violation (SIGSEGV) when all other Cintcode dumped registers are invalid.

**rtn\_mc0, rtn\_mc1, rtn\_mc2, rtn\_mc3** CIN:y, POS:y, NAT:n

These hold the machine address of the start of the Cintcode memory and other values used by the MC package.

**rtn\_membase, rtn\_memsize** CIN:y, POS:y, NAT:n

These rootnode fields hold, respectively, the start of the memory block chain and the upper bound in words of the Cintcode memory.

**rtn\_msecs** CIN:y, POS:y, NAT:n

This field holds the number of milli-seconds since midnight. It is repeatedly updated by the interpreter and its value is normally correct to the nearest milli-second.

**rtn\_pathvar** CIN:y, POS:y, NAT:n

This field holds the name of the environment variable giving the directories searched by loadseg, typically "BCPLPATH" or "POSPATH". See Section 3.6 for more details.

**rtn\_rootvar** CIN:y, POS:y, NAT:n

This field holds the name of the environment variable holding the system root directory, typically "BCPLROOT" or "POSROOT". See Section 3.6 for more details.

**rtn\_scriptsvr** CIN:y, POS:y, NAT:n

This field holds the name of the environment variable giving the directories holding CLI script files, typically "BCPLSCRIPTS" or "POSSCRIPTS". See Section 3.6 for more details.

**rtn\_screen** CIN:y, POS:y, NAT:n

This rootnode field holds the stream control block for the standard screen device.

**rtn\_sys** CIN:y, POS:y, NAT:n

Under Cintsys and Cintpos, this holds the entry point to the `sys` function.

**rtn\_system** CIN:y, POS:y, NAT:y

This rootnode field holds 1 when Cintsys is running or 2 when Cintpos is running. It is otherwise zero.

**rtn\_tallyv** CIN:y, POS:y, NAT:n

This rootnode field points to a vector used to hold profile execution counts. When tallying is enabled, the value of `tallyv!i` is the count of how often the Cintcode instruction at location `i` has been executed. The upper bound of `tallyv` is held in `tallyv!0`. For more information about the profile facility see the `stats` command described on page 125.

**rtn\_tasktab** CIN:y, POS:y, NAT:n

Under Cintpos, this rootnode field holds the Cintpos task table. The zeroth entry is the table's upperbound and the other entries are either zero or points to the task control block (TCB) of the corresponding task. Note that the IDLE task is not held in this table since it is not a proper task. The IDLE task TCB is held in the rootnode's `idletcb` field.

**rtn\_tcblist** CIN:y, POS:y, NAT:n

Under Cintpos, all TCBs are chained together in decreasing priority order. This

rootnode field points to the first TCB in this chain and so refers to the highest priority task. The last TCB on the chain has priority zero and represents the idle task.

**rtn\_upb** CIN:y, POS:y, NAT:n

This is the upperbound of the rootnode. Its value is typically 50.

**rtn\_vecstatsv** CIN:y, POS:y, NAT:n

This points to a vector holding counts of how many blocks of each requested size have been allocated by `getvec` but not yet returned. It is used by the `vecstats` command.

**rtn\_vecstatsvupb** CIN:y, POS:y, NAT:n

This field holds the upper bound of `vecstatsv`.

**saveregs** CIN:n, POS:y, NAT:n

This is the location in Cintcode memory used in Cintpos to hold the Cintcode registers at the time of the most recent interrupt.

**scb...** CIN:y, POS:y, NAT:n

Each currently open stream has a stream control block (SCB) that holds all that the system needs to know about the stream. Manifest constants beginning `scb_` allow convenient access to the SCB fields. These are described below.

**scb\_blength** CIN:y, POS:y, NAT:n

This SCB field holds the length of the buffer in bytes. It is typically 4096.

**scb\_block** CIN:y, POS:y, NAT:n

This SCB field holds the current block number of a disc file. The first block of a file has number zero.

**scb\_buf** CIN:y, POS:y, NAT:n

This SCB field is either zero or points to the buffer of bytes, allocated by `getvec`, associated with the stream.

**scb\_bufend** CIN:y, POS:y, NAT:n

This SCB field holds the size of the buffer in bytes.

**scb\_encoding** CIN:y, POS:y, NAT:n

This SCB field controls how `codewrch` treats extended characters written to this stream. If its value is `GB2312`, the extended character is translated into one or two bytes in `GB2312` format, otherwise the translation is to a sequence of bytes in `UTF-8` format. This field is normally set using either `codewrch(UTF8)` or `codewrch(GB2312)`.

**scb\_end** CIN:y, POS:y, NAT:n

This SCB field holds the number of valid bytes in the buffer or -1, if the stream is exhausted.



**scb\_endfn** CIN:y, POS:y, NAT:n

This SCB field is either zero or the function to close down the stream. It is given the SCB as its argument and returns **TRUE** if it successfully outputs the contents of the buffer. It otherwise returns **FALSE** with an error code in **result2**.

**scb\_fd** CIN:y, POS:y, NAT:n

This SCB field holds a machine dependent file or mailbox descriptor.

**scb\_id** CIN:y, POS:y, NAT:n

This SCB field holds one of the values **id\_inscb**, **id\_outscb** or **id\_inoutscb**, indicating whether the stream is for input, output or both.

**scb\_lblock** CIN:y, POS:y, NAT:n

This SCB field holds the number of last block. The first block of a stream is numbered zero.

**scb\_ldata** CIN:y, POS:y, NAT:n

This SCB field holds the number of bytes in the last block of a stream.

**scb\_pos** CIN:y, POS:y, NAT:n

This SCB field points to the position within the buffer of the next character to be transferred. This field is updated every time a character is transferred to or from a stream.

**scb\_rdfn** CIN:y, POS:y, NAT:n

This SCB field is zero if the stream cannot perform input, otherwise it is the function to refill (or replenish) the buffer with more characters. It is given the SCB as its argument and returns **TRUE** if it successfully replenishes the buffer with at least one character. It otherwise returns **FALSE** setting **result2** to **-1** if the end of file has been encountered, **-2** if there was a timeout before any character were read, **-3** no character was available in polling mode. Any other value in **result2** is an error code.

**scb\_reclen** CIN:y, POS:y, NAT:n

A file is normally regarded as a potentially huge sequence of bytes, but can also be treated as a sequence of fixed length records. The **reclen** SCB field holds the length in bytes of such records. The first record of a file has number zero. Unless the length of a file is a multiple of the record length, the length of last record of a file will be too short.

**scb\_size** CIN:y, POS:y, NAT:n

This constant is equal to the number of words in a stream control block.

**scb\_timeout** CIN:y, POS:y, NAT:n

This SCB field holds the stream timeout value for TCP streams. If it is zero no timeout is applied. If it is negative, data is only transferred if it is immediately available. If it is strictly positive it represents a timeout value in milli-seconds.

**scb\_timeoutact**

CIN:y, POS:y, NAT:n

This SCB field controls the effect of a time out on this stream while reading using `rdch`. A value of 0 causes the time out to be ignored, a value of -1 caused the `rdch` to return with the value `endstreamch`, and a value of -2 causes `rdch` to return with the value `timeoutch`.

**scb\_type**

CIN:y, POS:y, NAT:n

This SCB field holds the type of the stream which will be one of the following: `scbt_net`, `scbt_file`, `scbt_ram`, `scbt_console` or `scbt_mbx`, `scbt_tcp`. The last three have strictly positive values causing output to be triggered by end-of-line characters, while the first three are negative and only trigger output when the IO buffer is full. TCP streams have type `net` or `tcp`, streams to and from disk file have type `file`, stream to or from a vector in main memory have type `ram`, `mbx` specifies mailbox streams, and `console` indicates that the stream is either to standard output or from standard input which are normally the screen and keyboard, respectively.

**scb\_task**

CIN:y, POS:y, NAT:n

Under `Cintpos`, this SCB field holds either zero or the number of the handler task associated with the stream, if it has one.

**scb\_upb**

CIN:y, POS:y, NAT:n

This constant is the upperbound of a stream control block. its value is `scb_size-1`.

**scb\_wrfn**

CIN:y, POS:y, NAT:n

This SCB field is zero if the stream cannot perform output, otherwise it is the function to output (or deplete) the buffer. It is given the SCB as its argument and returns `TRUE` if it successfully outputs the contents of the buffer. It otherwise returns `FALSE` with an error code in `result2`.

**scb\_write**

CIN:y, POS:y, NAT:n

This SCB field is `TRUE` if the buffer has been updated by functions such as `wrch` since it was last written out (depleted).

**scbt\_net, scbt\_file, scbt\_ram, scbt\_console, scbt\_mbx, scbt\_tcp**

CIN:y, POS:y, NAT:n

These constants are mnemonics for the possible values of the `type` field of a stream control block. See `scb_type` above.

**sectword**

CIN:y, POS:y, NAT:n

The first word of every loaded section is `sectword`. This are normally followed by a section name. Typically `sectword=#x0000FDDF`.

**stackword**

CIN:y, POS:y, NAT:n

As an aid to debugging, all words in runtime stacks are initialised to `stackword`. Typically `stackword=#xABCD1234`.

**Sys...**

CIN:y, POS:y, NAT:y

Manifest constants of the form `Sys...` provide mnemonics for the operations

invoked by the `sys` function. The use of these manifest constants is described in pages following Section 3.3 starting on page 62.

**t\_bhunk, t\_bhunk64, t\_end, t\_end64, t\_hunk, t\_hunk64, t\_reloc, t\_reloc64**      CIN:y, POS:y, NAT:n

These are constants identifying components of Cintcode object modules. Cintcode modules hold the relocatable byte stream interpretive code used by all BCPL interpretive systems. Constants with names ending with 64 are used in the 64-bit version of Cintcode. For more details, see the description of `loadseg` on page 69.

**tickpersecond**      CIN:y, POS:y, NAT:n

This constant no longer exists since time is now measured in milli-seconds (and dates in days). In both Cintsys and Cintpos, delays measured in milli-seconds can be achieved using `delay(msecs)` and delays until a specified absolute time can be done using `delayuntil(days, msecs)`. Under Cintpos, the clock device now takes packets that specify absolute times (in days since 1 January 1970 and milli-second since midnight) for their release. For example, `sendpkt(notinuse, -1, 0, 0, 0, days, msecs)` will resume execution when the time specified by `days` and `msecs` is reached. The second argument (-1) specifies the clock device.

**timeoutch**      CIN:n, POS:y, NAT:n

This is the value returned by `rdch` when a timeout occurs while trying to read from a stream. Its value is normally -2. Currently only TCP streams under Cintpos provide the timeout mechanism.

**ug**      CIN:y, POS:y, NAT:y

This constant specified the first Global variable available to user programs. Currently `ug=200` so globals below this value are reserved for system use and the standard library. Since `ug` may change it would be wise to use it.

## 3.2 Global Variables

This section describes the global variables declared in `libhdr.h`.

**cis, cos**      CIN:y, POS:y, NAT:y

These are, respectively, the currently selected input and output streams. Zero indicates that no stream is selected.

**colist**      CIN:n, POS:y, NAT:n

This holds the list of currently existing coroutines.

**consoletask**      CIN:n, POS:y, NAT:n

This is a variable used by command language interpreters.

**currco**      CIN:n, POS:y, NAT:n

This points to the currently executing coroutine.

- currentdir** CIN:n, POS:y, NAT:n  
This is a string holding the name of the current working directory.
- globsize** CIN:y, POS:y, NAT:y  
This variable is in global zero and holds the size of the global vector. Its value is normally 1000.
- mainco\_busy** CIN:n, POS:y, NAT:n  
This is a variable used in the implementation of `gomultievent` under `Cintpos`.
- multi\_count** CIN:n, POS:y, NAT:n  
This is a variable used in the implementation of `gomultievent` under `Cintpos`.
- pktlist** CIN:n, POS:y, NAT:n  
Under `Cintpos` when running in multi-event mode, `pktlist` contains mapping from packets to their corresponding coroutines.
- randseed** CIN:n, POS:y, NAT:n  
This is the seed used by the random number generator `randno`.
- result2** CIN:y, POS:y, NAT:y  
This global variable is used by some functions to return a second result.
- returncode** CIN:n, POS:y, NAT:n  
This holds the return code of the command most recently executed by the command language interpreter.
- rootnode** CIN:n, POS:y, NAT:n  
This points to the rootnode.
- start** CIN:y, POS:y, NAT:y  
This is global 1 and is, by convention, the main function of a program. It is the first user function to be called when a program is run by the Command Language Interpreter.
- taskid** CIN:n, POS:y, NAT:n  
Under `Cintpos` this is the identifier of the currently executing task. It is not available under `Cintsys`.
- tcb** CIN:n, POS:y, NAT:n  
Under `Cintpos` this is a pointer to the currently executing task.
- userenv** CIN:y, POS:y, NAT:y  
This variable is available to the user to hold information that is preserved from one CLI command to the next. The standard command language interpreter resets all global variable from `ug` to the end of the global vector between commands. `userenv` is not in this region of the global vector and so is preserved. Normally `userenv` is either zero or points to a user defined structure holding environmental data.

### 3.3 Global Functions

One of the main purposes of the global vector is hold entry points of functions defined in one module and used in a different module. This section describes the function defined in the standard resident library. Most of these are defined in BCPL in the files: `sysb/klib.b`, `sysb/blib.b` and `sysb/dlib.b`, one library (`cin/syscin/syslib`) is in hand written Cintcode since it contains instructions that cannot be generated by the BCPL compiler. The functions defined in `syslib` are `sys`, `changeeco` and `muldiv`.

The standard library functions are described in alphabetical order.

`abort(code)` CIN:y, POS:y, NAT:n

This causes an exit from the current invocation of the interpreter, returning *code* as the error code. If *code* is zero execution exits from the Cintcode system. If *code* is -1 execution resumes using the faster version of the interpreter (`fasterp`). If *code* is -2 the entire Cintcode memory is written to file `DUMP.mem` is a compacted form for processing by CLI commands such as `dumpsys` or `dumpdebug`. If *code* is positive, under normal conditions, the interactive debugger is entered.

`res := appendstream(scb)` CIN:y, POS:y, NAT:y

This function sets the position of stream *scb* to the end so that anything written to the stream will be appended. The result is `FALSE` if *scb* is not an inout stream or cannot be positioned for other reasons. It returns `TRUE` otherwise.

`ch := binrdch()` CIN:y, POS:y, NAT:y

This call behaves like `rdch()` but does not skip over carriage return (`'*c'`) characters.

`ch := binwrch(ch)` CIN:y, POS:y, NAT:y

This call behaves like `wrch(ch)` but does treat *ch* as a special character and so does not call `deplete` at the end of lines and does not insert carriage return (`'*c'`) characters.

`res := callco(cptr, arg)` CIN:y, POS:y, NAT:y

This call suspends the current coroutine and transfers control to the coroutine pointed to by *cptr*. It does this by resuming execution of the function that caused its suspension, which then immediately returns yielding *arg* as result. When `callco(cptr, arg)` next receives control it yields the result it is given. The definition of `callco` is in `blib.b` and is as follows.

```
LET callco(cptr, a) = VALOF
{ IF cptr!co_parent DO abort(110)
  cptr!co_parent := currco
  RESULTIS changeeco(a, cptr)
}
```

`res := callseg(name, a1, a2, a3, a4)` CIN:y, POS:y, NAT:y

This function loads the compiled program from the file *name*, initialises its global variables and calls `start` with the four arguments *a1*, ..., *a4*. It returns the result of this call, after unloading the program.

*ch* := `capitalch(ch)` CIN:y, POS:y, NAT:y

This function converts lowercase letters to uppercase, leaving other characters unchanged.

*res* := `changeeco(val, cptr)` CIN:y, POS:y, NAT:y

This function is only used in the functions that implement the coroutine mechanism, namely: `createco`, `callco`, `resumeco` and `cowait`. It causes the current coroutine to become suspended and gives control to the coroutine specified by *cptr*. Strangely, execution continues just after the call of `changeeco` but with the P pointer pointing to the stack frame of the function that caused the target coroutine to become suspended. The calls of `changeeco` in `callco`, `cowait` and `resumeco` are immediately followed by `RETURN` statements which cause the corresponding function to return with result *val*. Its only other use in `createco` and this is more subtle but can be understood by looking at the description of `createco` on page 47.

*res* := `changepri(taskid, pri)` CIN:n, POS:y, NAT:n

This Cintpos function attempts to change the priority of the specified task to *pri*. It moves the specified task control block to its new position in the priority chain. If the specified task is runnable and of higher priority than the current task, it is given control leaving the current task suspended in RUN state. The result is non zero if successful, otherwise it is zero with `result2` set to 101 if *taskid* is invalid or to 102 if the change would cause two tasks to have the same priority.

*res* := `clihook(arg)` CIN:y, POS:y, NAT:y

This function simply calls `start(arg)` and returns its result. Its purpose is to assist debugging by providing a place to set a breakpoint in the command language interpreter (CLI) just before a command is entered. Occasionally, a user may find it useful to override the standard definition of `clihook` with a private version.

`codewrch(code)` CIN:y, POS:y, NAT:y

This routine uses `wrch` to write the Unicode character *code* as a sequence of bytes in either UTF8 or GB2312 format. If the `encoding` field of the current output stream is UTF8, the output is in UTF8 format as described in the following table.

Code range	Binary value	UTF8 bytes
0-7F	zzzzzzz	0zzzzzzz
80-7FF	yyyyyzzzzzz	110yyyyy 10zzzzzz
800-FFFF	xxxxyyyyyyzzzzzz	1110xxxx 10yyyyyy 10zzzzzz
1000-1FFFFF	wwxxxxxyyyyyyzzzzzz	11110www 10xxxxxx 10yyyyyy 10zzzzzz
etc	etc	etc

If the `encoding` field of the current output stream is GB2312, the output is in GB2312 format as described in the following table.

Decimal range	GB2312 bytes
0 < dd < 127	<dd>
128 < xxyy < 9494	<xx+160> <yy+160>

*res* := `compch(ch1, ch2)` CIN:y, POS:y, NAT:y

This function compares two characters ignoring case. It yields -1 (+1) if *ch1* is earlier (later) in the collating sequence than *ch2*, and 0 if they are equal.

*res* := `compstring(s1, s2)` CIN:y, POS:y, NAT:y

This function compares two strings ignoring case. It yields -1 (+1) if *s1* is earlier (later) in the collating sequence than *s2*, and 0 if the strings are equal.

*res* := `cowait(arg)` CIN:y, POS:y, NAT:y

This call suspends the current coroutine and returns control to its parent by resuming execution of the function that caused its suspension, yielding *arg* as result. When `cowait(arg)` next receives control it yields the result it is given. The definition of `cowait` is in `blib.b` and is as follows.

```
LET cowait(a) = VALOF
{ LET parent = currco!co_parent
  currco!co_parent := 0
  RESULTIS changeco(a, parent)
}
```

*cptr* := `createco(fn, size)` CIN:y, POS:y, NAT:y

BCPL uses a stack to hold function arguments, local variables and anonymous results, and it uses the global vector and static variables to hold non-local quantities. It is sometimes convenient to have separate runtime stacks so that different parts of the program can run in pseudo parallelism. The coroutine mechanism provides this facility.

Coroutines have distinct stacks but share the same global vector, and it is natural to represent them by pointers to their stacks. At the base of each stack there are six words of system information as shown in figure 3.1.

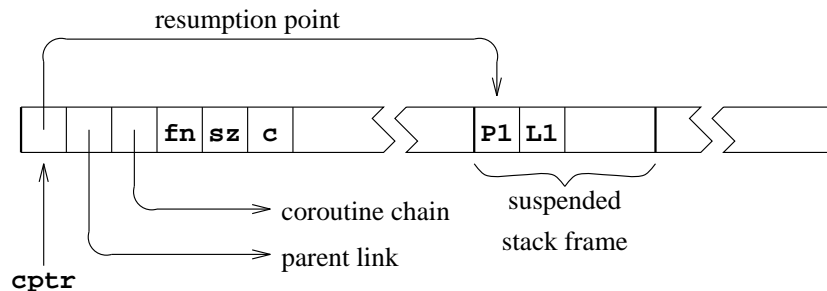


Figure 3.1: A coroutine stack

The resumption point is P pointer belonging to the function that caused the suspension of the coroutine. It becomes the value of the P pointer when the coroutine

next resumes execution. The parent link points to the coroutine that called this one, or is zero if the coroutine not active. The outermost coroutine (or *root coroutine*) is marked by the special value `-1` in its parent link. As a debugging aid, all coroutines are chained together in a list held in the global `colist`. The values `fn` and `sz` hold the main function of the coroutine and its stack size, and `c` is a private variable used by the coroutine mechanism.

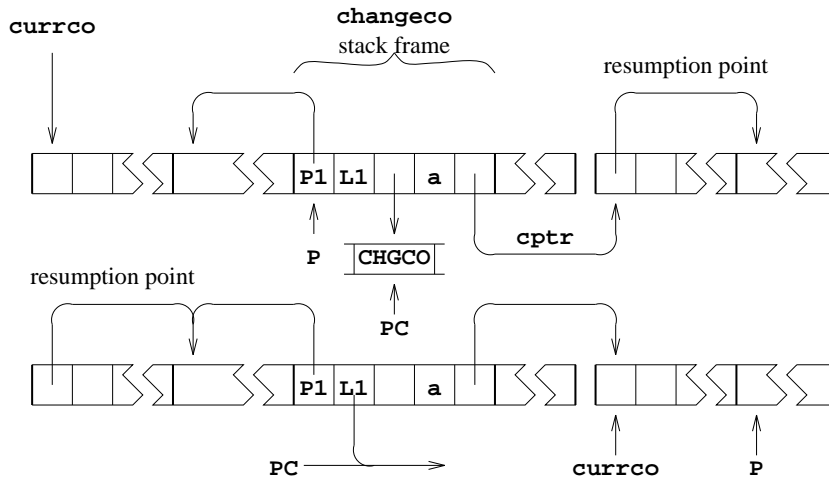


Figure 3.2: The effect of `changeco(a, cptr)`

At any time just one coroutine (the *current coroutine*) has control, and all the others are said to be suspended. The current coroutine is held in the global variable `currco`, and the Cicode `P` register points to a stack frame within its stack. Passing control from one coroutine to another involves saving the resumption point in the current coroutine, and setting new values for the program counter (`PC`), the `P` pointer and `currco`. This is done by `changeco(a, cptr)` as shown in figure 3.2. The function `changeco` is defined by hand in `syslib` used by `cintsys` and `cintpos` and its body consists of the single Cicode instruction `CHGCO`. As can be seen its effect is somewhat subtle. The only uses of `changeco` are in the definitions of `createco`, `callco`, `cowait` and `resumeco`, and these are the only functions that cause coroutine suspension. In the native code version of BCPL `changeco` is defined in `m1ib.s`



The definition of `createco` is in `blib.b` and is as follows.

```

LET createco(fn, size) = VALOF
{ LET c = getvec(size+6)
  UNLESS c RESULTIS 0
  FOR i = 6 TO size+6 DO c!i := stackword

  c!0 := c<<B2Wsh // resumption point
  c!1 := currco   // parent link
  c!2 := colist   // colist chain
  c!3 := fn       // the main function
  c!4 := size     // the coroutine size
  c!5 := c        // the new coroutine pointer

  colist := c // insert into the list of coroutines

  changeco(0, c)

  c := fn(cowait(c)) REPEAT
}
```

The function `createco` creates a new coroutine by allocating its stack by the call `gevec(size+6)`. The variable `c` holds a pointer to the new coroutine stack and, as can be seen, its first six words are initialised to hold system information, as follows.

```

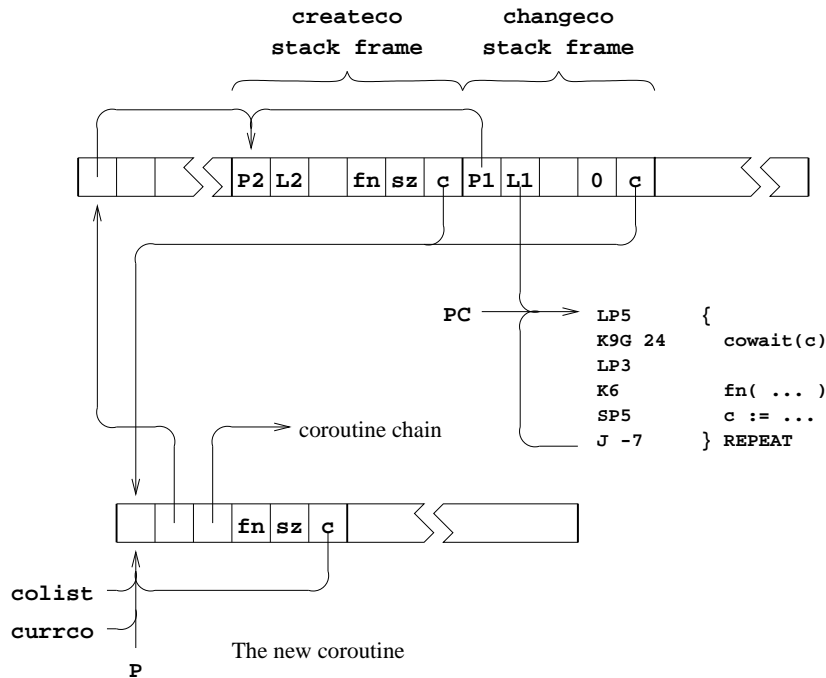
c!0  resumption point
c!1  parent link
c!2  colist chain
c!3  fn – the main function
c!4  size – the coroutine size
c!5  c – the new coroutine pointer
```

The coroutine list `colist` is also set to `c`.

The call `changeco(0, c)` causes the `P` pointer to be set to `c!0` which has been initialised to the machine address of the base of the new coroutine stack. Execution continues just after the call, namely at the `REPEAT` loop in the body of `createco`, but in the coroutine environment of the newly created coroutine. The compiled code for this loop will assume `fn`, `size` and `c` reside in positions 3, 4 and 5 relative to `P`, ie in memory locations `c!3`, `c!4` and `c!5` and so execution behave as (naively) expected. The first time `cowait(c)` is called in this loop, execution returns from `createco` with the result `c` which is the pointer to the newly created coroutine.

When control is next transferred to this new coroutine, the value passed becomes the result of `cowait` and hence the argument of `fn`. If `fn(..)` returns normally, its result is assigned to `c` which is returned to the parent coroutine by the repeated call of `cowait`. Thus, if `fn` is simple, a call of the coroutine convert the value passed, `val` say, into `fn(val)`. However, in general, `fn` may contain calls of `callco`, `cowait` or `resumeco`, and so the situation is not always quite so simple.

To help understand the subtle effect of the call of `changeco(0, c)`, look at figure 3.3 showing the state just after the call.

Figure 3.3: The state just after `changeco(0, c)` in `createco`

`devid := createdev(dcb)` CIN:n, POS:y, NAT:n

This Cintpos function creates a device using the first available slot in `devtab`. The device control block `dcb` must have already been initialised and linked to its device driver. If successful it returns a negative value identifying the device. On failure it returns zero with `result2` set to 104 if the `devtab` is full, or to 106 if device initialisation failed.

`res := createtask(seglist, stsize, pri)` CIN:n, POS:y, NAT:n

This Cintpos function creates a task using the first free slot in the task table. It allocates space for the new task control block (TCB) and a copy of the specified segment list, and initialises them both. It inserts the new TCB in priority chain of tasks and returns the id of the newly created task if successful. It is left in DEAD state with no stack or global vector and no packets on its work queue. If there is an error, it returns zero with `result2` set to 102 if there is already a task with priority `pri`, or to 103 if there is insufficient memory or to 105 if the task table is full. A segment list is a small vector whose zeroth element holds its upperbound and whose other element holds lists of sections of code typically loaded by `loadseg`.

`datstamp(datu)` CIN:y, POS:y, NAT:y

This sets `datv!0` to the number of days since 1 January 1970, and `datv!1` to the number of milli-seconds since midnight, and for compatibility with the older version of `datstamp` `datv!2=-1` indicating the new date and time format is being used.

`dat_to_string(datu, v)` CIN:y, POS:y, NAT:y

This call causes the time stamp in *datv* to be converted to three strings *v*, *v+5* and *v+10*. The string at *v* is set to the date in the form *dd-mmm-yyyy*. The string at *v+5* is set to the the current time in the form *hh:mm:ss*, and the string at *v+10* is set to the day of the week. The upper bound of *v* should be at least 14 to be safe. The time stamp is typically obtained by a call of `datstamp(datv)` which sets `datv!0` to the number of days since 1 January 1970, `datv!1` to the number of milli-seconds since midnight and `datv!2` to -1 indicting that the new date and time format is being used.

`delay(msecs)` CIN:y, POS:y, NAT:y

This call suspends execution for at least *msecs* milli-seconds. Under `Cintpos`, this is achieved by sending a suitable packet to the clock device (using `sendpkt`) and waiting for it to be returned.

`delayuntil(days, msecs)` CIN:y, POS:y, NAT:y

This call suspends execution until the specified date and time is reached. *days* specifies the date as the number of days since 1 January 1970 and *msecs* is the number of milli-seconds since midnight. Under `Cintpos`, the delay is achieved by sending a suitable packet to the clock device (using `sendpkt`) and waiting for it to be returned.

`deleteco(cptr)` CIN:y, POS:y, NAT:y

This call takes a coroutine pointer as argument and, after checking that the corresponding coroutine has no parent, deletes it by returning its stack to free store.

`dcb := deletedev(devid)` CIN:n, POS:y, NAT:n

This `Cintpos` function closes down the specified device and deallocates its device identifier, but it does not return its device control block (DCB) to free store. It returns any packets still on its work queue to the requesting tasks with both the `pkt_res1` and `pkt_res2` fields set to -1. If successful, it returns the DCB of the deleted device. On failure, it returns zero with `result2` set to 101 indicating that *devid* was invalid. If any of the released packets cause a higher priority task to become runnable, the control passes to the highest priority one leaving the current task suspended in `RUN` state. The clock device has identifier -1 and is permanently resident and cannot be deleted.

`flag := deletefile(name)` CIN:y, POS:y, NAT:y

This call deletes the named file, returning if successful, and `FALSE` otherwise.

`res := deleteself(pkt, seg)` CIN:n, POS:y, NAT:n

This `Cintpos` function first calls `qpkt` to return the packet if *pkt* is non zero, then calls `unloadseg(seg)` if *seg* is non zero, before deleting the current task. This function is defined in `klib` since it would be unsafe for it to be in a segment that may be unloaded while it is being executes. It returns a non zero value if successful but, of course, this value will never be seen! On failure, it return zero with `result2` set to 108 indicating that the current task is not deletable.

`res := deletetask(taskid)` CIN:n, POS:y, NAT:n

This `Cintpos` function attempts to delete the specified task which must have an empty work queue and be either the current task or in `DEAD` state. Its task control

block (TCB) is unlinked from the priority chain and removed from `tasktab`. Finally its segment list and the TCB itself returned to free store. It returns a non zero value if successful. On failure, it returns zero with `result2` set to 101 if `taskid` is invalid, or to 108 if the task is not deletable.

`res := dqpkt(id, pkt)` CIN:n, POS:y, NAT:n

This Cintpos function attempts to dequeue the given packet from the task or device specified by `id`. If not found there, it may have already been returned to the current task so its work queue is searched. The result is the id of the task or device whose work queue contained the packet. If there is an error, the result is zero with `result2` set to 101 for invalid id or 109 if the packet was not found. The id field of the packet is set to the id of the task or device whose work queue contained the packet provided that this is not the id of the current task.

`endread()` CIN:y, POS:y, NAT:y

This routine closes the currently selected input stream by calling `endstream(cis)`.

`endstream(scb)` CIN:y, POS:y, NAT:y

This routine closes the stream whose control block is `scb`.

`endwrite()` CIN:y, POS:y, NAT:y

This routine closes the currently selected output stream by calling `endstream(cos)`.

`scb := findappend(name)` CIN:y, POS:y, NAT:y

This function opens an output stream specified by the file name `name` in append mode causing all output to be appended onto the end of the file. If the file name is relative and the prefix string is set, it is prepended to the name before attempting to open the stream. If the file does not exist a zero length file of the given name is created. If there is an error the result is zero.

`n := findarg(keys, item)` CIN:y, POS:y, NAT:y

The function `findarg` was primarily designed for use by `rdargs` but since it is sometimes useful on its own, it is publicly available. Its first argument, `keys`, is a string of keys of the form used by `rdargs` and `item` is a string. If the result is positive, it is the argument number of the keyword that matches `item`, otherwise the result is -1. During matching all letters are converted to uppercase, but this convention may change in future.

`scb := findinput(name)` CIN:y, POS:y, NAT:y

This function opens an input stream. If `name` is the string "\*" then it opens the standard input stream which is normally from the keyboard, otherwise `name` is taken to be a device or file name. If the file name is relative and the prefix string is set, it is prepended to the name before attempting to open the stream. If the stream cannot be opened the result is zero. See Section 3.3.2 for information about the treatment of filenames.

`scb := findoutput(name)` CIN:y, POS:y, NAT:y

This function opens an output stream specified by the device or file name `name`. If

*name* is the string "\*" then it opens the standard output stream which is normally to the screen. If the file name is relative and the prefix string is set, it is prepended to the name before attempting to open the stream. If the stream cannot be opened the result is zero. If the stream cannot be opened, the result is zero. See Section 3.3.2 for information about the treatment of filenames.

*res* := `get_record(v, recno, scb)` CIN:y, POS:y, NAT:y

This attempts to read the record numbered *recno* from the file whose stream control block is *scb* into the vector *v*. The record length must have been set already by a call of `setrecordlength`. If `get_record` is successful it returns TRUE, otherwise it returns FALSE possibly because the end of file was reached before the whole record had been read.

*v* := `getlogname(logname)` CIN:y, POS:y, NAT:y

This function searches the list of logical variables held in the root node and returns its value if found, otherwise it returns zero.

*v* := `getvec(upb)` CIN:y, POS:y, NAT:y

This function allocates space using a first fit algorithm based on a list of blocks chained together in memory order. Word zero of each block in the chain contains a flag in its least significant bit indicating whether the block is allocated or free. The rest of the word is an even number giving the size of the block in words. A pointer to the first block in the chain is held in the rootnode.

`getvec` allocates a vector with upper bound *upb* from the first large enough free block on the block list. If no such block exists it returns zero. A vector previously allocated by `getvec` can be freed by the above call of `freevec`. Coalescing of adjacent free blocks is performed by `getvec`.

An extra word is allocated just before the start of each block to hold its size, and four or five words are added to the end of each block and filled with special data that is checked when the block is returned to free store. This catches many common space allocation errors.

*res* := `globin(segl)` CIN:y, POS:y, NAT:y

This function initialises the global variables defined in the list of program modules given by its argument *segl*. It returns zero if the global vector was too small, otherwise it returns *segl*.

*res* := `hold(taskid)` CIN:n, POS:y, NAT:n

This Cintpos function sets the HOLD bit in the task control block of the specified task. It returns a non zero value if successful. If there is an error, it returns zero with `result2` set to 101 if *taskid* was invalid, and 110 if the specified task was already in HOLD state. If the task holds itself control is given to next lower priority runnable task.

*cptr* := `initco(fn, size, a, b, c, d, e, f, g, h, i, j, k)`      CIN:y, POS:y, NAT:y

This function provides a convenient method of creating and initialising coroutines. Its definition is as follows:

```
LET initco(fn, size, a, b, c, d, e, f, g, h, i, j, k) = VALOF
{ LET cptr = createco(fn, size)
  result2 := 0
  IF cptr DO result2 := callco(cptr, @a)
  RESULTIS cptr
}
```

A coroutine with main function *fn* and given size is created and, if successful, it is initialised by `callco(cptr, @a)`. Thus, *fn* should expect a vector containing up to 11 elements. Once the newly created coroutine has initialised itself, it returns control to `initco` by means a call of `cowait`. The result of `initco` is the newly created coroutine pointer, or zero on failure. The second result (in `result2`) is the value returned by the first call of `cowait` in the newly created coroutine.

*scb* := `input()`      CIN:y, POS:y, NAT:y

This function returns `cis`, the SCB of the currently selected input stream.

*count* := `instrcount(fn, a, b, c, d, e, f, g, h, i, j, k)`      CIN:y, POS:y, NAT:n

This function returns the number of Cintcode instructions executed when evaluating the call: `fn(a, b, c, d, e, f, g, h, i, j, k)`.

Counting starts from the first instruction of the body of *fn* and ends when its final RTN instruction is executed. Thus when `f` was defined by `LET f(x) = 2*x+1`, the call `instrcount(f, 10)` returns 4 since its body executes the four instructions: L2; MUL; A1; RTN. The value returned by `fn(a, b, c, d, e, f, g, h, i, j, k)` is saved by `instrcount` in the global variable `result2`.

*flag* := `intflag()`      CIN:y, POS:y, NAT:n

This function provides a machine dependent test to determine whether the user is asking to interrupt the normal execution of a program. On the Apple Macintosh flag will be set to `TRUE` only if the `COMMAND`, `OPTION` and `SHIFT` keys are simultaneously pressed.

*p* := `level()`      CIN:y, POS:y, NAT:y

This call returns the current stack frame pointer for use in a later call of `longjump`.

*segl* := `loadseg(name)`      CIN:y, POS:y, NAT:n

This function calls `sys(Sys_loadseg, name)` to loads the specified compiled program into memory. See `Sys_loadseg` on page 69 for details.

`longjump(P, L)`      CIN:y, POS:y, NAT:y

This call causes execution to resume at label *L* in the body of a function or routine that owns the stack frame given by *P* that must have been obtained by a previous call of `level`. Jumps may only be used to points within the current coroutine. Jumps to labels

within the current function or routine can be performed using the GOTO command, so `level` and `longjump` are only needed for non local jumps.

`res := memoryfree()` CIN:y, POS:y, NAT:n

This function checks that the free store chain is valid, outputting a error message and calling `abort(999)` if not. If the chain is valid, it returns the current number of unused words, and sets `result2` to the memory size. This function can assist debugging and helps with the detection of space leaks.

`obj := mkobj(upb, fns, a, b, c, d, e, f, g, h, i, j, k)` CIN:y, POS:y, NAT:y

This function creates and initialises an object. It definition is as follows:

```
LET mkobj(upb, fns, a, b, c, d, e, f, g, h, i, j, k) = VALOF
{ LET obj = getvec(upb)
  IF obj DO
  { !obj := fns
    InitObj#(obj, @a) // Send the init message to the object
  }
  RESULTIS obj
}
```

As can be seen, it allocates a vector for the fields of the object, initialises its zeroth element to point to the methods vector and calls the initialisation method that is expected to be in element `InitObj` of `fns`. The result is a pointer to the initialised fields vector. If it fails, it returns zero. As can be seen the initialisation method receives a vector of up to 11 initialisation arguments.

`res := muldiv(a, b, c)` CIN:y, POS:y, NAT:y

The result is the value obtained by dividing `c` into the double length product of `a` and `b`, the remainder of this division is left in the global variable `result2`. The result is undefined if it is too large to fit into a single length word or if `c` is zero. The result is also undefined if any of `a`, `b` or `c` is the largest negative integer.

This version of `muldiv` is defined in the hand written Cintcode library `syslib` and invokes the `MDIV` Cintcode instruction which is implemented efficiently. The older version is invoked by `sys(Sys.muldiv, a, b, c)` and uses binary long division implemented in C. Both versions are believed to produce identical results except possibly when `c=0`.

As an example, the function defined below calculates the cosine of the angle between two unit vectors in three dimensions using scaled integers to represent numbers with 6 digits after the decimal point.

```
MANIFEST { Unit=1000000 } // Scaling factor for numbers of the
                        // form ddd.dddddd

FUN inprod(v, w) = muldiv(v!0, w!0, Unit) +
                  muldiv(v!1, w!1, Unit) +
                  muldiv(v!2, w!2, Unit)
```

Remember that scaled fixed point values can be output conveniently using `writeln` as in:

```
writeln("%10.6d*n", 123_456789)
```

which will output the following:

```
123.456789
```

`newline()` CIN:y, POS:y, NAT:y  
 This simply outputs the newline character ('\*n') to the currently selected output stream.

`newpage()` CIN:y, POS:y, NAT:y  
 This simply outputs the newline character ('\*p') to the currently selected output stream.

`res := note(scb, posv)` CIN:y, POS:y, NAT:y  
 If *scr* is a file stream, this function sets *posv!0* and *posv!1* to the current block number and position within that block. For RAM streams, *posv!0* and *posv!1* are set to zero and the position within the stream buffer. The result is TRUE if *scb* is a file or RAM stream, and FALSE otherwise.

`scb := output()` CIN:y, POS:y, NAT:y  
 This function returns *cos*, the SCB of the currently selected output stream.

`scb := pathfindinput(name, pathname)` CIN:y, POS:y, NAT:y  
 This function opens an input stream. If *name* is the string "\*" then input comes from standard input which is normally the keyboard, otherwise *name* is taken to be a filename. If *name* is a relative file name and *pathname* is non zero, the directories specified by the shell variable *pathname* are searched. The directories specified by the shell variable are separated by either semicolons or colons, although under Windows only semicolons are allowed. If the prefix string is non null and the filename, possibly prefixed by a directory name, is relative then the prefix string is prepended before the file is opened. If the file cannot be opened *pathfindinput* returns zero.

`res := point(scb, posv)` CIN:y, POS:y, NAT:y  
 This function sets the position of stream *scb* to that specified in *posv*. If the stream is to or from a file *posv!0* specifies the new block number and *posv!1* specifies the position within that block. If the new position is in a different block the buffer may have to be written out and new data read in. It returns TRUE if successful, even if positioned just after the last block of the file, ie *block=lblock+1* and *pos=end=0*. It returns FALSE, otherwise, possibly because the stream is not pointable or the *posv* is out of range.

For RAM streams *posv!0* should be zero and *posv!1* should be a position in the current stream buffer.

`res := put_record(v, recno, scb)` CIN:y, POS:y, NAT:y  
 This attempts to write a record numbered *recno* to the file whose stream control



block is *scb* taking data from the vector *v*. The record length must have been set already by a call of `setrecordlength`. If `put_record` is successful it returns `TRUE`, otherwise it returns `FALSE`. If the last record of a file has number *n*, it is permissible to extend the file by writing record *n+1*, but not one with a larger record number.

*res* := `qpkt(pkt)` CIN:n, POS:y, NAT:n

This `Cintpos` function queues the given packet on the end of the work queue of the destination task or device (specified by `pkt_id!pkt`). If this field is positive it refers to a task, if it is `-1` it refers to the clock device and other negative values refer to other devices. If the packet is queued successfully this field is updated to hold the current task's identifier and the result is non zero, otherwise the result is zero with `result2` set to 101 if the destination id is invalid, and to 111 if `pkt_link` was not equal to `notinuse` (`=-1`). If the destination was a runnable task of higher priority than the current one, then the current task immediately becomes suspended in `RUN` state and control is given to the destination, otherwise the current task continues to run normally. Interaction with the resident `Cintpos` devices is described in Chapter 6.

*n* := `randno(upb)` CIN:y, POS:y, NAT:y

This function returns a random integer in the range 1 to `upb`. It uses a seed held in global variable `randseed` which can be set using `setseed` described below. Its implementation is as follows:

```
LET randno(upb) = VALOF
{ randseed := randseed*2147001325 + 715136305
  RETURN ABS(randseed/3) REM upb + 1
}
```

*res* := `rdargs(keys, argv, upb)` CIN:y, POS:y, NAT:y

This implementation of BCPL incorporates a command language interpreter which is described in Chapter 4. Most commands require arguments and these are easily read using `rdargs`.

The first argument (*keys*) specifies the argument format. The second and third arguments provide a vector (*argv*) with a given upper bound (*upb*) into which the decoded arguments will be placed. If `rdargs` is successful, it returns the number of words used in *argv* to represent the decoded command arguments, but on failure, it returns zero.

The string *keys* holds the list of argument keywords separated by commas (,). Alternative keywords for a given argument are separated by equal signs (=). The expected number of arguments is one more than the number of commas in the key string. If `rdargs` returns successfully, this number of elements at the start of *argv* will hold the decoded arguments.

Arguments can have qualifiers of the form `/A`, `/K`, `/N`, `/S` and `/P`. The qualifier letters can be in either upper or lower case. The qualifier `/A` means that the argument must be given. `/K` means that, if the argument is given, it must include its keyword. `/N` specifies that the argument must be a number. `/S` indicates that the argument is a switch parameter set to `TRUE` by its keyword. `/P` indicates that a prompt will

be given for the argument if it has not already been set. Prompting only happens if the currently selected input and output streams are both connected to an interactive terminal. If the prompt is for a switch argument (/S) it expects a yes/no response. Typing `yes` or `y` is treated as yes, any other response is treated as no. If `rdargs` returns successfully `argv!0`, `argv!1` etc will hold the arguments settings. A setting of zero means the argument was not given. A setting of `-1` means the argument was a switch set the TRUE. Otherwise, if /N was specified the setting will point to a word in `argv` where the decoded integer is stored. If a /N was not specified, the setting will be a BCPL string with its characters packed into `argv`. Note that an argument should not have both /N and /S specified.

Command arguments are read from the currently selected input stream using a decoding mechanism that permits both positional and keyed arguments to be freely mixed. A typical use of `rdargs` occurs in the source of the `input` command as follows:

```
UNLESS rdargs("FROM/A,TO=AS/K,DATA/N/P,N/S", argv, 50) DO
{ writef("Bad arguments for: FROM/A,TO=AS/K,DATA/N/P,N/S*n")
  ...
}
```

In this example, there are four possible arguments and their values will be placed in the first four elements of `argv`. The first argument has keyword `FROM` and must receive a value because of the qualifier /A. The second has alternative keywords `TO` and `AS` with qualifier /K that insists the argument is introduced by one of its keywords. The third argument has the qualifiers /N and /P indicating that it expects a number and that it will be prompted for if not already given, and the last argument has the qualifier /S indicating that it is a switch that can be set by the presence of its keyword.

Table 3.4 shows the values in placed in `argv` and the result when the call:

```
rdargs("FROM/A,TO=AS/K,DATA/N/P,N/S", argv, 50)
```

is given various argument strings. This example illustrates that keyword synonyms can be defined using = within the key string. Positional arguments are those not introduced by keywords. When one is encountered, it becomes the value of the lowest numbered unset non-switch argument.

Arguments	argv!0	argv!1	argv!2	argv!4	Result
abc TO xyz	"abc"	"xyz"	0	0	~=0
to xyz from abc	"abc"	"xyz"	0	0	~=0
as xyz abc n	"abc"	"xyz"	0	-1	~=0
abc xyz	-	-	-	-	=0
"from" to "to"	"from"	"to"	0	0	~=0
abc data 123 to "to"	"abc"	"to"	->123	0	~=0
data 123 to junk	-	-	-	-	=0

Figure 3.4: `rdargs("FROM/A,TO=AS/K,DATA/N/P,N/S", argv, 50)`

To consolidate your understanding of `rdargs`, try compiling and running the program: `bcplprogs/tests/tstrdargs.b`.

`res := rdargs2(keys1, keys2, argv, upb)` CIN:y, POS:y, NAT:y

This function behaves just like `rdargs`, specified above, except it uses key data that is the concatenation of strings `keys1` and `keys2` thus allowing the key data to have up to than 510 characters.

`ch := rdch()` CIN:y, POS:y, NAT:y

This call reads the next character from the currently selected input stream. If the stream is exhausted, it returns the special value `endstreamch`. Input from the keyboard is buffered until the ENTER (or RETURN) key is pressed to allow simple line editing in which the backspace key may be used to delete the most recent character typed. See Section 3.3.1 for more detailed information.

`kind := rditem(v, upb)` CIN:y, POS:y, NAT:y

This function is usually called from `rdargs` to read an item from the currently selected input stream. After ignoring leading spaces and tabs, it packs the item into the vector `v` whose upper bound is `upb` and returns an integer describing the kind of item read. Table 3.5 gives the kinds of item that can be read and corresponding item codes.

Example items	Kind of item	Item code
=		5
;		4
<i>carriage return</i>		3
"from"		
"*ntwo words*n"	Quoted string	2
abc		
123-45*6	Unquoted string	1
<i>end-of-stream</i>	Terminator	0
	An error	-1

Figure 3.5: `rditem` results

Within quoted strings `*n` represents the newline character, `*s` represents a space, `**` represents an asterisk and `*` represents a double quote character.

`n := readn()` CIN:y, POS:y, NAT:y

This reads an optionally signed decimal integer from the currently selected input stream. Leading spaces, tabs and newlines are ignored. If the number is syntactically correct, it returns its value with `result2` set to zero, otherwise it returns zero with `result2` set to `-1`. In either case, it uses `unrdch` to replace the terminating character.

*res* := `recordnote(scb)` CIN:y, POS:y, NAT:y

This call returns the number of the record containing the character pointed to by the file position pointer of stream *scb*. The record length must have already been set by a call of `setrecordlength`. The result is -1 if the stream is not suitable.

*res* := `recordpoint(scb, recno)` CIN:y, POS:y, NAT:y

This call sets the file position pointer of stream *scb* to point to the first byte of the record whose number is *recno*. The record length must have already been set by a call of `setrecordlength`. It returns TRUE if successful and FALSE otherwise.

*res* := `release(taskid)` CIN:n, POS:y, NAT:n

This Cintpos function will clear the HOLD bit in the specified task thus making it potentially runnable. It returns a non zero value if successful. If the specified task does not exist it returns zero with 101 in `result2`. If the released task has higher priority and is runnable it gaids control leaving the current task suspended in RUN state.

*flag* := `renamefile(oldname, newname)` CIN:y, POS:y, NAT:y

The call renames the file *oldname* as file *newname*, deleting *newname* if necessary, returning TRUE if the renaming was successful, and FALSE otherwise. Both *oldname* and *newname* are strings.

*res* := `resumeco(cptr, arg)` CIN:y, POS:y, NAT:y

The effect of `resumeco` is almost identical to that of `callco`, differing only in the treatment of the parent. With `resumeco` the parent of the calling coroutine becomes the parent of the called coroutine, leaving the calling coroutine suspended and without a parent. Systematic use of `resumeco` reduces the number of coroutines having parents and hence allows greater freedom in organising the flow of control between coroutines. The definition of `resumeco` is in `blib.b` and is as follows.

```
LET resumeco(cptr, a) = VALOF
{ LET parent = currco!co_parent
  currco!co_parent := 0
  IF cptr!co_parent DO abort(111)
  cptr!co_parent := parent
  RESULTIS changeco(a, cptr)
}
```

*res* := `rewindstream(scb)` CIN:y, POS:y, NAT:y

This function set the position of stream *scb* to its start, returning TRUE if successful, and FALSE otherwise.

*ch* := `sardch()` CIN:y, POS:y, NAT:y

This function calls `sys(Sys_sardch)` to read the next character from the keyboard as soon as it is available, echoing the character to the screen.

`sawrch(ch)` CIN:y, POS:y, NAT:y

This function calls `sys(Sys_sawrch(ch))` to write the specified character to the screen.

`sawritef(format, a, b, c, d, e, f, g, h, i, j, k, l, m, n, o, p, q, r, s, t, u, v, w, x, y, z)`  
CIN:y, POS:y, NAT:y

This function is similar to `writef` but performs its output using `sawrch`.

`selectinput(scb)` CIN:y, POS:y, NAT:y

This call executes `cis := scb` to select `scb` as the current input stream. It aborts (with code 186) if `scb` is not an input stream.

`selectoutput(scb)` CIN:y, POS:y, NAT:y

This routine selects `scb` as the currently selected output stream. It aborts (with code 187) if `scb` is not an output stream.

`res := setbit(bitno, bitvec, state)` CIN:y, POS:y, NAT:y

This function sets the specified bit in `bitvec` to 1 or 0 depending on whether `state` is `TRUE` or `FALSE`, respectively. It returns a non-zero value if and only if the previous setting of the bit was a one. See `testbit` below.

`res := setflags(taskid, flags)` CIN:n, POS:y, NAT:n

This Cintpos function sets the specified flags in the task control block of the specified task. If successful it returns a non zero value with `result2` set to the previous setting of the flags field, otherwise it returns zero with `result2` set to 101 indicating that `taskid` was invalid. For more information about flags see `testflags` described below.

`oldseed := setlogname(logname, logvalue)` CIN:y, POS:y, NAT:y

This sets the value of logical variable `logname` to the `logvalue`. By convention `logvalue` should be a string. The list of logical name-value pairs is held in the root node.

`oldseed := setseed(newseed)` CIN:y, POS:y, NAT:y

The current seed can be set to `newseed` by the call `setseed(newseed)`. This function returns the previous seed value.

`srchwk(tcb)` CIN:n, POS:y, NAT:n

This function is the Cintpos scheduler which is normally only called from within one of the `klib` library functions or from the interrupt service routine. Its argument points to the highest priority task control block that could possibly run. It searches down the priority chain from this point until it finds the highest priority runnable task. After setting the globals `tcb` and `taskid` appropriately, it gives this task control using a call of `sys(Sys_rti, ...)`.

`res := stackfree(hwm)` CIN:y, POS:y, NAT:n

If `hwm=TRUE`, this function returns the number of unused stack words above the high water mark, otherwise it returns the number of words between the current stack frame pointer and the end of stack. In either case it sets `result2` to the stack size.

`code := start(a1, a2, a3, a4)` CIN:y, POS:y, NAT:y

This function is, by convention, the main function of a program. If it is called from the command language interpreter (see section 4), its first argument is zero and its

result should be the command completion code; however, if it is the main function of a module run by `callseg`, defined below, then it can take up to 4 arguments and its result is up to the user. By convention, a command completion code of zero indicates successful completion and larger numbers indicate errors of ever greater severity

`res := stepstream(scb, n)` CIN:y, POS:y, NAT:y

This function advances the position of stream `scb` by `n` words, returning TRUE if successful, and FALSE otherwise.

`stop(code, reason)` CIN:y, POS:y, NAT:y

This function is provided to stop the execution of the current command running under control of the CLI. The arguments `code` and `reason` are placed in the CLI globals `cli_returncode` and `cli_result2` where they can be inspected by commands such as `if` and `why`.

`n := str2numb(str)` CIN:y, POS:y, NAT:y

This function converts the string `str` into an integer. Characters other than 0 to 9 and - are ignored. The result is negative or zero if `str%1='-'`. This function is no longer recommended, `string_to_number` should be used instead.

`n := string_to_number(str)` CIN:y, POS:y, NAT:y

This attempts to set `result2` to the integer represented by the string `str`. It returns TRUE is successful and FALSE otherwise. The following are examples of acceptable strings: "'A'", "123", "-99", "+63", "#377", "-#x7FF" and "+#b1011011".

`res := sys(op, ...)` CIN:y, POS:y, NAT:y

The file `sysc/cintsys.c` contains the main program of the Cintsys system. It also includes the definition of an important function `dosys` which provide access to I/O operations and many other operating system primitives. The file `sysc/cinterp.c` contains a C implementation of the Cintcode interpreter. With different compile time settings this file can generate a faster version by reducing the number of debugging aids present. Sometimes there is an even faster version of the interpreter implemented in assembly language, see, for instance, `sysasm/linux/cintasm.s`. The BCPL function `sys` provides an interface between BCPL and `dosys`.

The file `sysc/cintpos.c` contains the main program of the Cintpos system. It has much is common with `sysc/cintsys.c` including the function `dosys`.

The `sys` function is defined by hand in `cin/syscin/syslib` and just invokes the `SYS` Cintcode instruction. When `SYS` is encountered by the interpreter, it normally just calls `dosys` passing the BCPL `P` and `G` pointers as arguments. But certain `sys` operations such as `sys(Sys_quit,code)` are processed directly by the interpreter.

As might be expected there are many `sys` operations concerned with interrupts that are only available under `Cintpos`.

`res := sys(Sys_buttons)` CIN:y, POS:y, NAT:y

On non standard machines such as the GP2X gaming machine there are buttons that can be pressed. This call returns a bit pattern indicating which buttons are currently pressed.

*res* := `sys(Sys_callc, fno, a1, a2 ...)` CIN:y, POS:y, NAT:y

This makes the call `cfuncs(args, g)` where `cfuncs` is a C function defined in `sysc/cfuncs.c`. The argument `args` points to memory locations holding `fno`, `a1`, `a2`, etc., and `g` points to the base of the global vector.

The following table summarises the `callc` operations currently available (when running under Linux).

*res* := `sys(Sys_callc, c_name2ipaddr, a1)` CIN:y, POS:y, NAT:y

The name or dotted decimals of a host is given in `a1` and the result is its IP address or -1 if there is an error.

*res* := `sys(Sys_callc, c_name2port, a1)` CIN:y, POS:y, NAT:y

The name or decimals of a port is given in `a1` and the result is its IP address or -1 if there is an error.

*res* := `sys(Sys_callc, c_newsocket)` CIN:y, POS:y, NAT:y

The result is the file descriptor of a new socket or -1 if there is an error.

*res* := `sys(Sys_callc, c_reuseaddr, a1, a2)` CIN:y, POS:y, NAT:y

The file descriptor of a socket is given in `a1`. If `a2=1` the specified socket may be reused. If there is an error the result is -1.

*res* := `sys(Sys_callc, c_setsndbufsz, a1, a2)` CIN:y, POS:y, NAT:y

This sets the send buffer size of socket `a1` to `a2` bytes. If there is an error the result is -1.

*res* := `sys(Sys_callc, c_setrcvbufsz, a1, a2)` CIN:y, POS:y, NAT:y

This sets the receive buffer size of socket `a1` to `a2` bytes. If there is an error the result is -1.

*res* := `sys(Sys_callc, c_bind, a1, a2, a3)` CIN:y, POS:y, NAT:y

This bind socket `a1` to remote IP address `a2` and remote port `a3`. If there is an error the result is -1.

*res* := `sys(Sys_callc, c_tcpconnect, a1, a2, a3)` CIN:y, POS:y, NAT:y

This make a TCP/IP connection through socket `a1` to remote IP address `a2` and remote port `a3`. If there is an error the result is -1.

*res* := `sys(Sys_callc, c_tcplisten, a1, a2)` CIN:y, POS:y, NAT:y

This causes socket `a1` to wait for a TCP/IP connection to be requested by a remote host. The maximum number of connections waiting to be accepted is given in `a2`. If there is an error the result is -1.

*res* := `sys(Sys_callc, c_tcpaccept, a1)` CIN:y, POS:y, NAT:y

This accepts a TCP/IP connection through socket `a1`. The result is the socket number to be used for this connection or -1 if there is an error.

`res := sys(Sys_callc, c_tcpclose, a1)` CIN:y, POS:y, NAT:y  
 This closes socket *a1*. The result is -1 if there is an error.

`res := sys(Sys_callc, c_fd_zero, a1)` CIN:y, POS:y, NAT:y  
 This clear every bit in the bit vector *a1*. The result is -1 if there is an error.

`res := sys(Sys_callc, c_fd_set, a1, a2)` CIN:y, POS:y, NAT:y  
 This sets bit *a1* in the bit vector *a2*. The result is -1 if there is an error.

`res := sys(Sys_callc, c_fd_isset, a1, a2)` CIN:y, POS:y, NAT:y  
 This inspects bit *a1* in the bit vector *a2*. The result is 1 if the bit was set and 0 otherwise.

`res := sys(Sys_callc, c_fd_select, a1, a2, a3, a4, a5)` CIN:y, POS:y, NAT:y  
 This inspects bit *a1* in the bit vector *a2*. The result is 1 if the bit was set and 0 otherwise.

The number of the bits to test is in *a1*. The bit vector identifying read sockets of interest is in *a2*, The bit vector identifying write sockets of interest is in *a3*, The bit vector identifying other sockets of interest is in *a4*. A pointer to two words holding the timeout in seconds and microseconds is in *a5*. The result is the number of sockets that can now be read or written to, or 0 if the timeout period has elapsed before any sockets are ready. A result of -1 indicate an error.

`res := sys(Sys_callnative, f, a1, a2, a3)` CIN:y, POS:y, NAT:y  
 This function is used to enter a subroutine in native machine code.

`res := sys(Sys_close, fp)` CIN:y, POS:y, NAT:y  
 This closes the file whose file pointer is *fp*. It return 0 if successful.

`res := sys(Sys_cputime)` CIN:y, POS:y, NAT:y  
 This returns the CPU time in milliseconds since the Cintcode system was entered.

`res := sys(Sys_datstamp, datv)` CIN:y, POS:y, NAT:y  
 This sets *datv!0* to the number of days since 1 January 1970, and *datv!1* to the number of milli-seconds since midnight, and for compatability with the older version of *datstamp* *datv!2*=-1 indicating the new date and time format is being used.

`res := sys(Sys_delay, msec)` CIN:y, POS:y, NAT:y  
 In both Cintsys and Cintpos this call suspends Cintcode execution until the time period has elapsed. It is normally better to use the library functions `delay(msecs)` or `delayuntil(days, msec)`.

`res := sys(Sys_deletefile, name)` CIN:y, POS:y, NAT:y  
 This deletes the file whose name is given by *name*. See page 82 for information about the treatment of file names.



*res* := `sys(Sys_devcom, com, arg)` CIN:n, POS:y, NAT:n

This is used in Cintpos to send commands from the interpreter thread to Cintpos device threads.

*res* := `sys(Sys_dumpmem, context)` CIN:y, POS:y, NAT:y

This call will dump the whole of Cintcode memory to the file `DUMP.mem` in a compacted form that is typically inspected by either the commands `dumpsys` or `dumpdebug`. By convention, `context = 1` if SIGINT has been received, `context = 2` if SIGSEGV has been received, `context = 3` if the dump was caused by BOOT detecting a fault, `context = 4` if the dump by the user call `sys(Sys_quit, -2)`, `context = 5` if the dump by a non zero return code from the interpreter, `context = 6` if the dump by the `D` command in the interactive debugger.

*res* := `sys(Sys_filemtime, name, datv)` CIN:y, POS:y, NAT:y

This sets the elements of the time stamp vector *datv* to represent the date and time of the last modification of the file given by *name* returning TRUE if successful. The first element *datv*!0 holds the number of days since 1 January 1970, *datv*!1 is the number of milli-seconds since midnight and *datv*!2=-1 indicating that the new date format is being used. If the file does not exist the call returns FALSE and setting the three elements of *datv* to 0, 0 and -1, respectively.

*res* := `sys(Sys_filesize, fd)` CIN:y, POS:y, NAT:y

This call return the size in bytes of the currently opened disk file whose file descriptor is *fd*. The file descriptor is typically obtained by the expression `scb!scb_fd`.

*res* := `sys(Sysflt, op, ... )` CIN:y, POS:y, NAT:y

This call provides all the floating point operations available to BCPL. The required operation is specified by *op* normally using a manifest constant (declared in `libhdr`) such as `fl_mk`, `fl_plus` or `fl_sin`. All such operations are described below. BCPL floating point numbers must fit in BCPL words and so are typically only 32 bits long causing their precision and range to be somewhat limited. On 64-bit implementations of BCPL, floating point numbers are much more precise.

*res* := `sys(Sysflt, fl_avail)` CIN:y, POS:y, NAT:y

This call attempts returns -1 if all the `Sysflt` operations are available. It otherwise return zero.

*res* := `sys(Sysflt, fl_mk, a, e)` CIN:y, POS:y, NAT:y

This call attempts to return a floating point approximation to the number  $a \times 10^e$  where *a* and *e* are signed integers.

*res* := `sys(Sysflt, fl_unmk, a)` CIN:y, POS:y, NAT:y

This call decomposes the floating point number *a* returning the signed integer mantissa and leaving the decimal exponent in `result2`. For example, `sys(Sysflt, fl_unmk, 1234.5678)` might return 12345678 leaving -4 in `result2`. However, the result may vary depending on the BCPL word length and the floating point representation used.

```
res := sys(Sysflt, fl_float, a)
res := sys(Sysflt, fl_fix, a) CIN:y, POS:y, NAT:y
```

The first call returns a floating point approximation of the integer  $a$ , and the second attempts to return the closest integer to the floating point number  $a$ .

```
res := sys(Sysflt, fl_abs, a)
res := sys(Sysflt, fl_pos, a)
res := sys(Sysflt, fl_neg, a)
res := sys(Sysflt, fl_mul, a, b)
res := sys(Sysflt, fl_div, a, b)
res := sys(Sysflt, fl_add, a, b)
res := sys(Sysflt, fl_sub, a, b) CIN:y, POS:y, NAT:y
```

The first three calls return, respectively, the absolute value of  $a$ , the value of  $a$  and the negated value of  $a$  where  $a$  is a floating point number. The last four calls perform floating point multiplication, division, addition and subtraction on their arguments.

```
res := sys(Sysflt, fl_eq, a, b)
res := sys(Sysflt, fl_ne, a, b)
res := sys(Sysflt, fl_ls, a, b)
res := sys(Sysflt, fl_gr, a, b)
res := sys(Sysflt, fl_le, a, b)
res := sys(Sysflt, fl_ge, a, b) CIN:y, POS:y, NAT:y
```

These six calls return TRUE if the corresponding floating point comparisons are satisfied. Otherwise the result is FALSE.

```
res := sys(Sysflt, fl_acos, a)
res := sys(Sysflt, fl_asin, a)
res := sys(Sysflt, fl_atan, a) CIN:y, POS:y, NAT:y
```

These calls return floating point approximations to the arc cosine, arc sine and arc tangent of  $a$ . The argument  $a$  is in radians and for `acos` the result is between 0 and  $\pi$ . For `asin` and `atan` it is between  $-\pi/2$  and  $\pi/2$ .

```
res := sys(Sysflt, fl_atan2, y, x) CIN:y, POS:y, NAT:y
```

This call return the angle in radians between  $x$ -axis and the line from the origin to the point with cartesian coordinates  $(x, y)$ . The result lies between  $-\pi$  and  $\pi$ .

```
res := sys(Sysflt, fl_cos, a)
res := sys(Sysflt, fl_sin, a)
res := sys(Sysflt, fl_tan, a) CIN:y, POS:y, NAT:y
```

These calls return the cosine, sine and tangent of  $a$ .

```
res := sys(Sysflt, fl_cosh, a)
res := sys(Sysflt, fl_sinh, a)
res := sys(Sysflt, fl_tanh, a) CIN:y, POS:y, NAT:y
```

These calls return the hyperbolic cosine, sine and tangent of  $a$ .

```
res := sys(Sysflt, fl_exp, a)
```

```
res := sys(Sysflt, fl_log, a)
```

```
res := sys(Sysflt, fl_log10, a) CIN:y, POS:y, NAT:y
```

The first call returns an approximation to  $e^a$  where  $e$  is the base of natural logarithms. The second call return the natural logarithm of  $a$ , and the third call returns log to the base 10 of  $a$ .

```
res := sys(Sysflt, fl_frexp, a)
```

```
res := sys(Sysflt, fl_ldexp, f, n) CIN:y, POS:y, NAT:y
```

The first call splits a floating-point number ( $a$ ) into a fraction ( $f$ ) and exponent ( $n$ ) such that  $a$  is approximately equal to  $f \times 2^n$ . If possible the absolute value of  $f$  will be between 0.5 and 1.0. The call returns  $f$  and stores  $n$  in `result2`. The second call is the inverse of `frexp` returning an approximation to  $f \times 2^n$ .

```
res := sys(Sysflt, fl_modf, a)
```

```
res := sys(Sysflt, fl_fmod, x, y) CIN:y, POS:y, NAT:y
```

The first call returns the fractional part ( $f$ ) of  $a$  storing the integer part ( $i$ ) as a floating-point number in `result2`. The sign of both  $f$  and  $i$  is the same as the sign of  $a$  and  $a$  will equal  $i + f$ .

The second call returns  $f$  such that  $f$  has the same sign as  $x$ , the absolute value of  $f$  is less than the absolute value of  $y$ , and there exists an integer  $k$  such that  $k \times y + f$  equals  $x$ .

```
res := sys(Sysflt, fl_pow, a, b)
```

```
res := sys(Sysflt, fl_sqrt, a) CIN:y, POS:y, NAT:y
```

The first call returns an approximation to  $a^b$ , and the second call attempts to return the non negative square root of  $a$ .

```
res := sys(Sysflt, fl_ceil, a)
```

```
res := sys(Sysflt, fl_floor, a) CIN:y, POS:y, NAT:y
```

The first call returns the smallest floating-point number not less than  $a$  whose value is an exact integer and the second call returns the largest floating-point number not greater than  $a$  whose value is an exact integer.

```
res := sys(Sysflt, fl_F2N, s, x)
```

CIN:y, POS:y, NAT:y

This returns the integer part of  $s \times x$ . This is the scaled fixed point representation of  $x$  when  $s$  is the scaled value representing 1.0. For example:

```
sys(Sysflt, fl_F2N, 1_000, 1.234) = 1_234
```

```
res := sys(Sysflt, fl_N2F, s, n)
```

CIN:y, POS:y, NAT:y

This returns the floating point value corresponding to  $n/s$ . This is the floating point number representing the fixed point scaled value  $n$  when the scaled number  $s$  represents 1.0. For example:

```
sys(Sysflt, fl_N2F, 1_000, 1_234) = 1.234
```

`res := sys(Sys_flt, fl_radius2, a, b)`  
`res := sys(Sys_flt, fl_radius3, a, b, c)` CIN:y, POS:y, NAT:y

The first call returns the square root of  $a^2 + b^2$  and the second returns the square root of  $a^2 + b^2 + c^2$ .

`sys(Sys_freevec, ptr)` CIN:y, POS:y, NAT:y

If `ptr` is zero it does nothing, otherwise it returns to free store the space pointed to by `ptr` which must have previously been allocated by `sys(Sys_getvec, ...)`. It checks that the block is not already free and attempt to check that it has not been corrupted.

`res := sys(Sys_getpid)` CIN:y, POS:y, NAT:y

This function returns the process id of the currently executing process.

`str := sys(Sys_getprefix)` CIN:y, POS:y, NAT:y

This returns a pointer to prefix string which is in space allocated when Cintsys aor Cintpos was started.. See `sys(Sys_setprefix, ...)` on page 73.

`res := sys(Sys_getsysval, addr)` CIN:y, POS:y, NAT:y

This function return the contents of the machine memory location whose address is `addr`.

`res := sys(Sys_gettrval, count)` CIN:y, POS:y, NAT:n

This returns a value from the low level trace buffer. See `Sys.trpush` for more details.

`res := sys(Sys_getvec, upb)` CIN:y, POS:y, NAT:y

This allocates a vector whose lower bound is 0 and whose upper bound is `upb`. It return zero if the request cannot be satisfied. A word is allocated just before the start of the vector to hold its size, and several (typically 4 or 5) words are allocated just past the end of the vector and filled with redundant data that is checked when the space is returned to free store.

`res := sys(Sys_globin, seg)` CIN:y, POS:y, NAT:n

This initializes the global variables define in the loaded module pointed to by `seg`. It returns zero is there is an error.

`res := sys(Sys_graphics, ...)` CIN:y, POS:y, NAT:y

This is currently only useful on the Windows CE version of the BCPL Cintcode system. It performs an operation on the graphics window. The graphics window is a fixed size array of 8-bit pixels which can be written to and whose visibility can be switched on and off.

`res := sys(Sys_inc, addr, amount)` CIN:y, POS:y, NAT:y

This function adds `amount` atomically to the specified memory location and returns it new value.

`res := sys(Sys_interpret, regs)` CIN:y, POS:y, NAT:n

This function enters the Cintcode interpreter recursively with the Cintcode registers

set to values specified in the vector *regs*. On return the result is a return code indicating why the interpreter returned, and the elements of *regs* are set to hold the final state of the Cintcode registers. These registers are described in the chapter on the design of Cintcode starting on page 155 and the correspondence between the elements of *regs* and the Cintcode registers is given on page 72. The return codes are given on page 73.

*res* := sys(Sys\_intflag) CIN:y, POS:y, NAT:y

This returns TRUE if the user has pressed a particular combination of keys to interrupt the program that is currently running. On many systems this mechanism not implemented and so just returns FALSE.

*res* := sys(Sys\_loadseg, *name*) CIN:y, POS:y, NAT:n

This attempts to load a Cintcode module from file *name* looking first in the current directory. If a valid module is not found there and *name* is a relative file name, it searches through the directories specified by the environment variable whose name is in the `rtn_pathvar` element of the rootnode. This name is normally BCPLPATH under Cintsys and POSPATH under Cintpos. See Section 3.6 for more information about environment variables.

If loading is successful, `loadseg` returns the list of loaded program sections, otherwise it returns zero. Before the loaded code can be used, its globals must be initialised using `globin`.

Cintcode modules generated by the BCPL compiler are typically text files containing the compiled code encoded in hexadecimal. The compiled form of the `logout` command:

```
SECTION "logout"
GET "libhdr"
LET start() BE abort(0)
```

is

```
000003E8 0000000E
0000000E 0000FDDF 474F4C0B 2054554F 20202020
0000DFDF 6174730B 20207472 20202020 7B1C2310
00000000 00000001 00000024 0000001C
```

The first two words (000003E8 0000000E) indicate the presence of a “hunk” of code of size 14(000000E) words which then follow. The first word of the hunk (000000E) is again its length. The next four words (0000FDDF 474F4C0B 2054554F 20202020) contain the SECTION name "logout". These are followed by the four words 0000DFDF 6174730B 20207472 20202020 which hold the name of the function "start". The body of `start` is compiled into one word (7B1C2310) which correspond to the Cintcode instructions:

```
L0      Load A with 0
K3G 28  Call the function in global 28, incrementing the stack by 3
RTN     Return from start – never reached
```

The remaining 4 words contain global initialisation data that is read backwards during global initialisation invoked by `sys(Sys_globin, ...)`. `0000001C (=28)` is the highest global variable referenced by this section. The pair `00000001 00000024` specifies that the entry point at position 36 is the initial value of global 1, and the next entry (`00000000`) marks the end of the global initialisation data.

The manifest constants `t_hunk`, `t_reloc`, `t_end`, `t_hunk64`, `t_reloc64`, `t_end64`, `t_bhunk`, and `t_bhunk64` are declared in `libhdr` for the convenience of programs that generate or read Cintsys and Cintpos object modules. The example above shows `t_hunk` loading  $n$  32-bit words encoded in hex bytes. Although the BCPL compiler used in both Cintsys and Cintpos generates position independent code and has no need to modify the loaded words of a hunk, other languages may need to perform relocation. This can be done using `t_reloc` which is followed by a 32-bit word  $n$  encoded in hex followed by a further  $n$  words which each give the position of a word in the most recently loaded hunk that needs to be modified by the addition of the base address of the hunk. The code `t_bhunk` is similar to `t_hunk` only the data words (not the length field) are provided in binary rather than hex characters. Such hunks are thus about half the size of character based ones. The code `t_end` marks the end of an object module, but end-of-file has the same effect. Those codes containing the characters `64` provide equivalent facilities for 64-bit versions of BCPL. Neither `t_reloc` nor `t_reloc64` are currently available in Cintsys or Cintpos.

`sys(Sys_lockirq)` CIN:y, POS:y, NAT:y

Under `cintpos`, this call disables interrupts.

`res := sys(Sys_muldiv, a, b, c)` CIN:y, POS:y, NAT:y

This invoke the C implementation of `muldiv`. It returns the result of dividing  $c$  into the double length product of  $a$  and  $b$ . It sets `result2` to the remainder. This function is little used since a more efficient `muldiv` function is now defined in `syslib` invoking the Cintcode instruction `MDIV`, see section 3.3.

`fp := sys(Sys_openappend, name)` CIN:y, POS:y, NAT:y

This function opens an output stream specified by the file name `name` in append mode causing all output to be appended onto the end of the file. If the file does not exist a zero length file of the given name is created. If successful it returns the file pointer to the given file, otherwise it returns zero.

`fp := sys(Sys_openread, name, envname)` CIN:y, POS:y, NAT:y

This opens for reading the file whose name is given by the string `name`. It returns 0 if the file cannot be opened, otherwise it returns the file pointer for the opened file. See page 82 for information about the treatment of file names. If `name` is a relative filename, the file is first searched for in the current directory, otherwise, if `envname` is non null, the directories specified by the environment variable `envname` are searched.

`res := sys(Sys_openreadwrite, name)` CIN:y, POS:y, NAT:y

This opens for reading and writing the file whose name is given by the string `name`. It returns 0 if the file cannot be opened, otherwise it returns the file pointer for the

opened file. See Section 3.3.2 for information about the treatment of file names and Section 3.4 for information about random access files.

*fp* := `sys(Sys_openwrite, name)` CIN:y, POS:y, NAT:y

This opens for writing the file whose name is given by the string *name*. It returns 0 if the file cannot be opened, otherwise it returns the file pointer for the opened file. See page 82 for information about the treatment of file names.

*res* := `sys(Sys_platform)` CIN:y, POS:y, NAT:n

This returns a machine dependent value indicating under which architecture Cintsys or Cintpos is running.

*res* := `sys(Sys_pollsardch)` CIN:y, POS:y, NAT:y

This returns the next character from standard input if it is immediately available, otherwise it returns `pollingch` (= -3). If the input stream is exhausted it returns `endstreamch` (= -1). Unlike `sardch`, the character is not echoed to the standard output stream.

*res* := `sys(Sys_putsysval, addr, val)` CIN:y, POS:y, NAT:n

This function set the contents of the machine memory location whose address is *addr* to *val* returning its previous setting.

`sys(Sys_quit, code)` CIN:y, POS:y, NAT:n

This saves the Cintcode registers in the vector of registers given to the interpreter when it was invoked and returns with the result *code* to the (C) program that called this invocation of the interpreter. This is normally used to exit from the Cintcode system, but can also be used to return from recursive invocations of the interpreter (see `sys(Sys_interpret, regs)` above). A *code* of zero denotes successful completion and, if invoked at the outermost level, causes the BCPL Cintcode System to terminate.

*n* := `sys(Sys_read, fp, buf, len)` CIN:y, POS:y, NAT:y

This reads upto *len* bytes from the file specified by the file pointer *fp* into the byte buffer *buf*. The file pointer *fp* must have been created by a call of `sys(Sys_openread, ...)`. The number of bytes actually read is returned as the result.

*res* := `sys(Sys_renamefile, old, new)` CIN:y, POS:y, NAT:y

This renames file *old* to *new*. It return 0 if successful.

`sys(Sys_rti, regs)` CIN:n, POS:y, NAT:n

Under Cintpos, this returns from an interrupt by setting the Cintcode registers to the values specified by *regs*.

*ch* := `sys(Sys_sardch)` CIN:y, POS:y, NAT:y

This returns the next character from standard input (normally the keyboard). The character is echoed to standard output (normally the screen). If the `-c` or `--` command

options are given when `cintsys` or `cintpos` is invoked, standard input is prefixed with text from the command line. For details, see Section 12.2 on page 208.

`sys(Sys_saveregs, regs)` CIN:n, POS:y, NAT:n  
 Under `Cintpos`, this saves the current Cintcode registers in `regs`.

`sys(Sys_sawrch, ch)` CIN:y, POS:y, NAT:y  
 This sends character represented by the least significant 8 bit of `ch` to the standard output (normally the screen). If `ch=10`, the characters carriage return followed by linefeed are transmitted.

`res := sys(Sys_seek, fd, pos)` CIN:y, POS:y, NAT:y  
 This will set the file position pointer of the opened file whose descriptor is `fd` to `pos`. The file descriptor is normally in the `scb_fd` field of the stream control block for that file. See Section 3.4 for more information about random access files.

`oldcount := sys(Sys_setcount, newcount)` CIN:y, POS:y, NAT:n  
 One of the Cintcode registers is called `count` which is inspected just before the interpreter processes the next instruction. If `count>0` it is decremented and the instruction processed. If `count=0` the interpreter returns to the calling (C) program with error code 3.

The Cintcode System normally has two resident interpreters. One is called `cinterp` implemented in C and the other is called `fasterp` which is sometimes implemented in assembly language. `fasterp` is faster than `cinterp` since it provides fewer debugging aids, does not count instruction executions and does not implement the profiling feature. Setting `count` to a negative value causes this faster interpreter to be invoked and setting `count` to a positive value causes the slower interpreter to be used. Normally the CLI command `interpreter` is used to make this switch, see Section 4.3.

With some debugging versions of `fasterp`, setting `count` to `-2` causes it to execute just one instruction before returning with error code 10. This feature assists the debugging of a new versions of `fasterp` and is particularly useful when `fasterp` is implemented in assembly language.

<code>regs!0</code>	A register	– work register
<code>regs!1</code>	B register	– work register
<code>regs!2</code>	C register	– work register
<code>regs!3</code>	P register	– the stack frame pointer
<code>regs!4</code>	G register	– the base of the global vector
<code>regs!5</code>	ST register	– the status register (unused)
<code>regs!6</code>	PC register	– the program counter
<code>regs!7</code>	Count register	– see below
<code>regs!8</code>	MW register	– Used only on 64-bit systems, see below

The count register is normally decremented every time a Cintcode instruction is interpreted. When the count reaches zero the interpreter saves the registers and returns with a result (`=3`) to indicate that this has happened. If the count register is positive,



it indicates how many Cintcode instructions should be executed before the interpreter returns. A count of `-1` is treated as infinity and causes the fast interpreter `fasterp` to be used.

Either interpreter returns when a fault, such as division by zero, occurs or when a call of `sys(Sys_quit,...)` or `sys(Sys_setcount,...)` is made. When returning, the current state of the Cintcode registers is saved. The returned result is either the second argument of `sys(Sys_quit,...)` or one of the builtin return codes in the following table:

-1	Re-enter the interpreter with a new value in the the count register
0	Normal successful completion (by convention)
1	Non existent Cintcode instruction
2	BRK instruction encountered
3	Count has reached zero
4	PC set to a negative value
5	Division by zero
10	Single step interrupt from the fast interpreter (debugging)
11	The value of the watched location in the Cincode memory has changed in the course of executing the previous instruction
12	Indirect address out of range
13	SIGINT received

`res := sys(Sys_setprefix, prefix)` CIN:y, POS:y, NAT:y

This is primarily a function for the Windows CE version of the BCPL Cintcode System for which there is no current working directory mechanism. The prefix string is held in space that was allocated when the system started. It sets the prefix that is prepended to all future relative file names. See Section 3.3.2 and the CLI `prefix` command described on page 119.

`res := sys(Sys_setraster, n, arg)` CIN:y, POS:y, NAT:n

There is a variant of `cintsys` called `rastsys` that provides a means of generating data for time-memory images, and `cintpos` has a similar variant called `rastpos`. These systems can also generate bit streams that can be converted in soud related to the execution of programs. The `setraster` operation controls the rastering feature as follows. If `n=3`, it returns 0 if rastering is available and `-1` otherwise. If `n=2`, the memory granularity is set to `arg` bytes per pixel, the default being 12. If `n=1`, the number of Cintcode instructions executed per raster line is set to `arg`, the default being 1000. If `n` is zero and `arg` is non-zero then rastering is activated sending its output to the file with name `arg` (the rastering data file). Raster information is normally collected for the duration of the next CLI command. If `n` and `arg` are both zero, the rastering data file is closed. If `n = 4` and `arg=1`, the system generated a bit stream file based on the fifth bit of the address of every access to the Cintcode memory. This file can later be converted to sound using the command `rast2wav`.

For the non bit stream raster data file is an text file that encodes the raster lines using run length encoding. Typical output is as follows:

```
K1000 S12      1000 instruction per raster line, 12 bytes per pixel
W10B3W1345B1N 10 white, 3 black, 1345 white, 1 black, newline
W13B3W12B2N   etc
...
```

See the CLI commands `raster` and `rast2ps` on page 122 for more information on how to use the rastering facility.

```
res := sys(Sys_settrcount, count)                               CIN:y, POS:y, NAT:n
```

This sets the private variable `trcount` used by the low level tracing mechanism to the specified value returning it previous setting. Setting it to a negative value disables the tracing mechanism. See `Sys_trpush` for more details.

```
res := sys(Sys_sound, fno, a1, a2 ...)                       CIN:y, POS:y, NAT:y
```

This calls `sound(args, g)` where `sound` is a C function defined in `sysc/sound.c`. The argument `args` points to memory locations holding `fno`, `a1`, `a2`, etc., and `g` points to the base of the global vector. Note that it may be necessary to run `alsamixer` to enable the sound device and adjust its volume setting. The available sound functions have mnemonic names declared in `g/sound.h` and are described below.

```
res := sys(Sys_sound, snd_test)                                 CIN:y, POS:y, NAT:y
```

This returns TRUE is the `Sys_sound` functions are available on the current system.

```
res := sys(Sys_sound, snd_waveInOpen, a1, a2, a3, a4)       CIN:y, POS:y, NAT:y
```

This opens a sound wave device for input. `a1` is typically `"/dev/dsp"`, `"/dev/dsp1"` or a small integer, `a2` is the sample format, eg 16 for `S16_LE`, 8 for `U8`. `a3` is the number of channels, typically 1 or 2 and `a4` is the number of samples per second, typically 44100. The result is the file (or device) descriptor of the opened device or -1 if error.

```
res := sys(Sys_sound, snd_waveInPause, a1)                  CIN:y, POS:y, NAT:y
```

This will pause sound wave sampling from device `a1`. Recently read samples can still be read (to flush the buffered data).

```
res := sys(Sys_sound, snd_waveInRestart, a1)                CIN:y, POS:y, NAT:y
```

Restart sound wave sampling.

```
res := sys(Sys_sound, snd_waveInRead, a1, a2, a3)          CIN:y, POS:y, NAT:y
```

Read samples from a sound wave input device `a1`, returning immediately. `a2` is the buffer in which to receive the samples and `a3` is the number of bytes to read. The result is the number of bytes actually transferred into the buffer.

```
res := sys(Sys_sound, snd_waveInClose, a1)                  CIN:y, POS:y, NAT:y
```

This closes sound wave input device `a1`.

*res* := sys(Sys\_sound, snd\_waveOutOpen, *a1*, *a2*, *a3*) CIN:y, POS:y, NAT:y

This opens a sound wave device for output. *a1* is typically `"/dev/dsp"`, `"/dev/dsp1"` or a small integer, *a2* is the sample format, eg 16 for S16\_LE, 8 for U8. *a3* is the number of channels, typically 1 or 2 and *a4* is the number of samples per second, typically 44100. The result is the file (or device) descriptor of the opened device or -1 if error.

*res* := sys(Sys\_sound, snd\_waveOutWrite, *a1*, *a2*, *a3*) CIN:y, POS:y, NAT:y

Write samples from a sound wave output device *a1*. *a2* is the buffer holding the samples and *a3* is the number of bytes to be written. The result is the number of bytes actually transferred from the buffer.

*res* := sys(Sys\_sound, snd\_waveOutClose, *a1*) CIN:y, POS:y, NAT:y

This closes sound wave output device *a1*.

*res* := sys(Sys\_sound, snd\_midiInOpen, *a1*) CIN:y, POS:y, NAT:y

This opens MIDI device for input specified by *a1* which is typically `"/dev/midi"`, `"/dev/dmmidi1"` or a small integer. The result is the file (or device) descriptor of the opened device or -1 if error.

*res* := sys(Sys\_sound, snd\_midiInRead, *a1*, *a2*, *a3*) CIN:y, POS:y, NAT:y

This reads bytes from MIDI input device *a1* into buffer *a2*. *a3* is the number of MIDI bytes to read. The result is the actual number of bytes transferred or -1 if there was an error.

*res* := sys(Sys\_sound, snd\_midiInClose, *a1*) CIN:y, POS:y, NAT:y

This close MIDI input device *a1*.

*res* := sys(Sys\_sound, snd\_midiOutOpen, *a1*) CIN:y, POS:y, NAT:y

This opens a MIDI device for output. *a1* is typically `"/dev/midi"`, `"/dev/dmmidi1"` or a small integer. The result is the file (or device) descriptor of the opened device or -1 if error.

*res* := sys(Sys\_sound, snd\_midiOutWrite1, *a1*, *a2*) CIN:y, POS:y, NAT:y

This writes a one byte MIDI message (*a2*) to MIDI device *a1*.

*res* := sys(Sys\_sound, snd\_midiOutWrite2, *a1*, *a2*, *a3*) CIN:y, POS:y, NAT:y

This writes a two byte MIDI message (*a2 a3*) to MIDI device *a1*.

*res* := sys(Sys\_sound, snd\_midiOutWrite3, *a1*, *a2*, *a3*, *a4*) CIN:y, POS:y, NAT:y

This writes a three byte MIDI message (*a2 a3 a3*) to MIDI device *a1*.

*res* := sys(Sys\_sound, snd\_midiOutWrite, *a1*, *a2* ...) CIN:y, POS:y, NAT:y

This write *a3* MIDI bytes from buffer *a2* to MIDI output device *a1*. The result is the number of bytes actually sent.

`res := sys(Sys_sound, snd_midiOutClose, a1)`                      CIN:y, POS:y, NAT:y  
 This closes MIDI output device *a1*.

`sys(Sys_setst, val)`    CIN:n, POS:y, NAT:n  
 Under Cintpos, this sets the Cintcode ST register to *val*. Interrupts are enabled only when ST is zero. By convention, ST=1 when execution is within `klib`, ST=2 when executing within the interrupt routine, and ST=3 during the initial bootstrapping process.

`res := sys(Sys_shellcom, comstr)`                              CIN:y, POS:y, NAT:y  
 This causes the command *comstr* to be executed by the command language shell of the operating system under which Cintsys or Cintpos is running.

`sys(Sys_tally, val)`    CIN:y, POS:y, NAT:n  
 This call provides a profiling facility that uses a globally accessible tally vector to hold frequency counts of Cintcode instructions executed. When *val* is `TRUE` the tally vector is cleared and tallying is enabled. When *val* is `FALSE` tallying is disabled. When tallying is active, the *i*<sup>th</sup> element of the tally vector is incremented every time the instruction at location *i* of the Cintcode memory is executed. The size of the tally vector can be specified by the `-t` command line argument (see Section 12.2) when the interpreter is entered. The default size being typically 80000 words. The tally vector is held in `rootnode!rtn_tallyv` with the upper bound stored in its zeroth element. It can thus be inspected by any program.

Statistics of program execution is normally gathered and analysed using the CLI command `stats` (see Section 4.3).

`pos := sys(Sys_tell, fd)`    CIN:y, POS:y, NAT:y  
 This returns the current file position pointer of the opened file whose descriptor is *fd*. The file descriptor is normally in the `scb_fd` field of the stream control block for that file. See Section 3.4 for more information about random access files.

`sys(Sys_tracing, val)`    CIN:y, POS:y, NAT:n  
 This sets the Cintcode tracing mode to *val*. When the tracing mode is `TRUE`, the Cintcode interpreter outputs a one line trace of every Cintcode instruction executed.

`sys(Sys_trpush, val)`    CIN:y, POS:y, NAT:n  
 There is a low level circular trace buffer that can hold 4096 values, and a private variable `trcount` that holds the number of values currently pushed into this buffer. If `trcount < 0`, low level tracing is disabled, but otherwise `trpush` pushes *val* into the buffer at position `trcount MOD 4096` and increments `trcount`. The call `sys(Sys_settrcount, count)` sets `trcount` to the specified value (possibly disabling tracing) and returns its previous setting. The call `sys(Sys_gettrval, count)` gets the value in the trace buffer at position `trcount MOD 4096`. Normally this function is only called when tracing is disabled. Under both Cintsys and Cintpos, `trpush` can also be called from the parts of the system implemented in C.

This tracing mechanism is available both to the BCPL user and parts of the system such as `cintpos.c`, `cinterp.c` and `devices.c`. Under Cintpos these low level tracing

functions use a mutex to control access to `trcount` and the circular buffer. It is thus thread safe and so can be used to help debug subtle timing problems in the system software. For an example of the use of this tracing mechanism see the command `com/testtr.b`.

`res := sys(Sys_unloadseg, seg)` CIN:y, POS:y, NAT:y

This unloads the the loaded module given by `seg`. If `seg` is zero it does nothing. Unloading a module just returns the space it occupied to freestore.

`sys(Sys_unlockirq)` CIN:n, POS:y, NAT:n

Under `cintpos`, this call enables interrupts.

`res := sys(Sys_usleep, usecs)` CIN:y, POS:y, NAT:y

Under `cintsys`, this call causes the system to sleep for `usecs` micro-seconds. Under `cintpos`, it causes the current task to sleep for `usecs` micro-seconds.

`sys(Sys_waitirq, msec)` CIN:n, POS:y, NAT:n

This call is typically only made from the body of the `Cintpos Idle` task. It suspends the interpreter until either some `Cintpos` device issues an interrupt request or the specified timeout occurs. It is typically implemented by waiting with a timeout on a host operating system condition variable. When a device thread wishes to interrupt the interpreter it send a signal via the appropriate condition variable. Unfortunately some operating systems may take hundreds of milliseconds to reschedule the interpreter thread. A possible but selfish solution is for the `Idle` task to execute a busy loop instead of calling `waitirq`.

`sys(Sys_watch, addr)` CIN:y, POS:y, NAT:n

This sets the address of a location of `Cintcode` memory to be inspected every time the interpreter executes and instruction. When the watched value changes it returns with result 12. The watch feature is disabled if `addr` is zero or if `fasterp` is being used.

`n := sys(Sys_write, fp, buf, len)` CIN:y, POS:y, NAT:y

This writes `len` bytes to the file specified by the file pointer `fp` from the byte buffer `buf`. The file pointer must have been created by a call of `sys(Sys_openwrite,...)`. The result is the number of bytes transferred, or zero if there was an error.

`pkt := taskwait()` CIN:n, POS:y, NAT:n

If there is a packet in the task's queue it is dequeued and returned as the result. If there was no packet on the work queue this task is suspended in `WAIT` state and control given to a lower priority task.

`res := testbit(bitno, bitvec)` CIN:y, POS:y, NAT:y

This function returns a non zero value if and only if the specified bit in `bitvec` is a one. The bits are numbered from zero starting at the least significant bit of `bitvec!0`. `bitvec!0` holds bits 0 to `bitsperword-1`, `bitvec!1` holds bits `bitsperword` to `2*bitsperword-1`, etc.

`res := testflags(flags)` CIN:n, POS:y, NAT:n

This Cintpos function tests and clears specified flags in the task control block of the current task. Flags are bits in the `tcb_flags` field of the task control block, and they are normally called A, B, etc corresponding to consecutive bits from the least significant end of the field. A flag is set if the corresponding bit is a one. The argument *flags* is a bit pattern identifying which flags are being inspected. The result is `FALSE` if none of the specified flags were set, and `TRUE` if at least one was, in which case `result2` is set to a bit pattern representing the flags that were set and have now been cleared.

`unloadseg(seg1)` CIN:y, POS:y, NAT:y

This routine unloads the list of loaded program modules given by *seg1*.

`res := unrdch()` CIN:y, POS:y, NAT:y

This attempts to step the current input stream back by one character position. It returns `TRUE` if successful, and `FALSE` otherwise. A call of `unrdch` will always succeed the first time after a call of `rdch`. It is useful in functions such as `readn` where single character lookahead is necessary. See Section 3.3.1 for more detailed information.

`wrch(ch)` CIN:y, POS:y, NAT:y

This routine writes the character *ch* to the currently selected output stream. If output is to the screen, *ch* is transmitted immediately. It aborts (with code 189) if there is a write failure.

`writed(n, d)` CIN:y, POS:y, NAT:y

`writeu(n, d)` CIN:y, POS:y, NAT:y

`writen(n)` CIN:y, POS:y, NAT:y

These routines output the integer *n* in decimal to the currently selected output stream. For `writed` and `writeu`, the output is padded with leading spaces to fill a field width of *d* characters. If `writen` is used or if *d* is too small, the number is written without padding. If `writeu` is used, *n* is regarded as an unsigned integer.

`writehex(n, d)` CIN:y, POS:y, NAT:y

`writeoct(n, d)` CIN:y, POS:y, NAT:y

`writebin(n, d)` CIN:y, POS:y, NAT:y

These routines output, respectively, the least significant *d* hexadecimal, octal or binary digits of the integer *n* to the currently selected output stream.

`writes(str)` CIN:y, POS:y, NAT:y

`writet(str, d)` CIN:y, POS:y, NAT:y

These routines output the string *str* to the currently selected output stream. If `writet` is used, trailing spaces are added to fill a field width of *d* characters.

`writef(format,a,b,c,d,e,f,g,h,i,j,k,l,m,n,o,p,q,r,s,t,u,v,w,x,y,z)`  
CIN:y, POS:y, NAT:y

The first argument (*format*) is a string that is copied character by character to the currently selected output stream until a substitution item such as `%s` or `%i5` is

Item	Substitution
<code>%s</code>	Write the next argument as a string using <code>writes</code> .
<code>%tn</code>	Write the next argument as a left justified string in a field width of $n$ characters using <code>writet</code> .
<code>%c</code>	Write the next argument as a character using <code>wrch</code> .
<code>%#</code>	Write the next argument as an extended in UTF-8 or GB2312 format using <code>codewrch</code> .
<code>%bn</code>	Write the next argument as a binary number in a field width of $n$ characters using <code>writebin</code> .
<code>%on</code>	Write the next argument as an octal number in a field width of $n$ characters using <code>writeoct</code> .
<code>%xn</code>	Write the next argument as a hexadecimal number in a field width of $n$ characters using <code>writehex</code> .
<code>%in</code>	Write the next argument as a decimal number in a field width of $n$ characters using <code>writed</code> .
<code>%n</code>	Write the next argument as a decimal number in its natural field width using <code>writen</code> .
<code>%un</code>	Write the next argument as an unsigned decimal number in a field width of $n$ characters using <code>writeu</code> .
<code>%n.md</code>	Write the next argument as a scaled decimal number in a field with of $n$ with $m$ digits after the decimal point.
<code>%+</code>	Skip over the next argument.
<code>%-</code>	Step back to the previous argument.
<code>%%</code>	Write the character <code>%</code> .
<code>%pc</code>	Plural formation. Write character $c$ if the next argument is not 1.
<code>%p\ a\b\</code>	Plural formation. Write text $a$ if the next argument is 1, otherwise write text $b$ .
<code>%f</code>	Take the next argument as a <code>writef</code> format string and call <code>writef</code> recursively to process it passing it the remaining arguments. The argument pointer is advanced by the appropriate amount
<code>%m</code>	The next argument is taken as a message number and processes as for <code>%f</code> above using the message format string obtained by the call <code>get_text(messno, str, upb)</code> where <code>str</code> is a vector local to <code>writef</code> to hold the message string. This provides an easy way to generate messages in different languages. <code>get_text</code> is a global function typically defined by the user. The default version always yields the message string " <code>&lt;mess:%-n&gt;</code> "

Figure 3.6: `writef` substitution items

encountered when a value (usually the next argument) is output in the specified format. The substitution items are given in table 3.6.

When a field width (denoted by  $n$  in the table) is required, it is specified by a single character, with 0 to 9 being represented by the corresponding digit and 10 to 35 represented by the letters A to Z. Format characters are case insensitive but field width characters are not. A recent extension allows the field width to be specified as a decimal integer immediately following the percent, as in `%12i` meaning `%iB`.

Some examples of the `%n.md` substitution item are given below.

```
writef("%9.2d", 1234567)  writes  12345.67
writef("%9.2d", -1234567) writes -12345.67
writef("%9.0d", 1234567)  writes  1234567
writef("%9d", 1234567)   writes  1234567
```

As an example of how the `%p` substitution item can be used, the following code:

```
FOR count = 0 TO 2 DO
  writef("There %p\ is\are\ %-%n thing%-%ps.*n", count)
```

outputs:

```
There are 0 things.
There is  1 thing.
There are 2 things.
```

The implementation of `writef` (in `sysb/blib.b`) is a good example of how a variadic function can be defined.

### 3.3.1 Streams

BCPL uses streams as a convenient method of obtaining device independent input and output. All the information needed to process a stream is held in a vector called a stream control block (SCB) whose fields have already been summarized in Section 3.1.

The element `buf` is either zero or holds the stream's byte buffer which must have been allocated using `getvec` and must be freed using `freevec` when the stream is closed. The elements `pos` and `end` hold positions within the byte buffer, `file` holds a file pointer for file streams or `-1` for streams connected to the console. The element `id` indicates whether the stream is for input, output or both and `work` is private work space for the action function `rdfn`, `wrfn` which are called, respectively, when the byte buffer becomes empty on reading or full on output. The function `endfn` is called to close the stream.

Input is read from the currently selected input stream whose SCB is held in the global variable `cis`. For an input stream, `pos` holds the position of the next character to be read, and `end` points to just past the last available character in the buffer. Characters are read using `rdch` whose definition is given in figure 3.7. If a character is available in the buffer it is returned after incrementing `pos`. Exceptionally, the character carriage return (CR) is ignored since on some systems, such as Windows, lines are terminated with carriage return and linefeed while on others, such as Linux, only linefeed is used.



If the buffer is exhausted, `replenish` is called to refill it, returning `TRUE` if one or more character are transferred. If `replenish` fails it returns `FALSE` with the reason why in `result2`. Possible reasons are: -1 indicating end of file, -2 indicating a timeout has occurred and -3 meaning input is in polling mode and no character is currently available. By setting the `timeoutact` field of the SCB to -1, a timeout is treated as end of file.

```

AND rdch() = VALOF
{ LET pos = cis!scb_pos // Position of next byte, if any
  UNLESS cis DO abort(186)
  IF pos<cis!scb_end DO { LET ch = cis!scb_buf%pos
                        cis!scb_pos := pos+1
                        IF ch='*c' LOOP // Ignore CR
                        RESULTIS ch
                      }

  // If replenish returns FALSE, it failed to read any characters
  // and the reason why is placed in result2 as follows
  //   result2 = -1   end of file
  //   result2 = -2   timeout
  //   result2 = -3   polling mode with no characters available.
  //   result2 = code error code
  UNTIL replenish(cis) DO
  { IF result2=-2 DO
    { LET act = cis!scb_timeoutact // Look at the timeout action
      IF act=-2 RESULTIS timeoutch // Timed out
      IF act=-1 RESULTIS endstreamch // End of file reached
      LOOP // Try replenishing again
    }
    RESULTIS result2<0 -> result2, endstreamch
  }
} REPEAT

```

Figure 3.7: The definition of `rdch`

Whenever possible, the buffer contains the previously read character. This is to allow for a clean and simple implementation of `unrdch` whose purpose is to step input back by one character position. Its definition is given in figure 3.8.

```

LET unrdch() = VALOF
{ LET pos = cis!scb_pos
  IF pos<=scb_bufstart RESULTIS FALSE // Cannot UNRDCH past origin.
  cis!scb_pos := pos-1
  RESULTIS TRUE
}

```

Figure 3.8: The definition of `unrdch`

Output is sent to the currently selected output stream whose SCB is held in the global variable `cos`. The SCB field `pos` of an output stream holds the position in the

buffer of the next character to be written, and `end` holds the position just past the end of the buffer. Characters are written using the function `wrch` whose definition is given in figure 3.9. The character `ch` is copied into the byte buffer and `pos` incremented. If the buffer is full, it is emptied by calling the element `wrfn`. If writing fails it return `FALSE`, causing `wrch` to abort.

```

AND wrch(ch) = VALOF
{ LET pos = cos!scb_pos

  IF pos >= cos!scb_bufend DO
  { // The buffer is full
    UNLESS deplete(cos) RESULTIS FALSE
    UNLESS cos!scb_buf RESULTIS TRUE // Must be writing to NIL:
    pos := cos!scb_pos
  }

  // Pack the character and advance pos.
  cos!scb_buf%pos := ch
  pos := pos+1
  cos!scb_pos := pos
  // Advance end of valid data pointer, if necessary
  IF cos!scb_end < pos DO cos!scb_end := pos
  cos!scb_write := TRUE // Set flag to indicate the buffer has changed.

  UNLESS ch<'*s' & cos!scb_type<0 RESULTIS TRUE // Normal return

  // The stream is interactive and ch is a control character.

  IF ch='*n' DO wrch('*c') // Fiddle for Cygwin

  // Call deplete at the end of each interactive line.
  IF ch='*n' | ch='*p' RESULTIS deplete(cos)
  RESULTIS TRUE
}

```

Figure 3.9: The definition of `wrch`

### 3.3.2 The Filing System

BCPL uses the filing system of the host operating system and so some details such as the maximum length of file names are machine dependent. Previously, BCPL used to follow the syntax of target machine files names, but recently BCPL attempts to be more machine independent by mainly adopting the Linux style of names and converting them to target machine form at runtime. The target machine format is set by a configuration parameter set when the system was installed. The formats currently available are for Unix, Windows and VMS.

Within BCPL file names slashes (/) and back slashes (\) are regarded as separators between the components of file names. File names may start with a colon prefix consisting of letters and digits followed by a colon, as in `TCP:shep.cl.cam.ac.uk:9000` or `G:test.b`. Such prefixes allow access to special features such as URLs used in

TCP/IP communication or to other filing systems. These are often dependent on the host operating system.

A file name starting `'/'` or `'\'` or containing a colon is treated as an absolute name; all others are relative names and are interpreted relative to the current directory. A file name consisting of a single asterisk (`*`) is special and represents standard input (normally the keyboard) or standard output (normally the screen) depending on context. Within a file name, the components dot (`.`) and double dot (`..`) represent the current and parent directories, respectively. As an example, the file name `../bcplprogs/demos/queens.b` is valid and automatically converted when used to `..\bcplprogs\demos\queens.b` under Windows or to `[-.bcplprogs.demos]queens.b` under VMS.

Some operating systems such as Windows CE2.0 have no concept of a current working directory. For such systems there is a feature that allows users to specify a character string to be automatically prepended to any relative (non absolute) file name before it is used. The prefix string is stored in static Cintcode space allocated when Cintsys or Cintpos starts up. It can be inspected and changed using the calls: `sys(Sys_getprefix)` and `sys(Sys_setprefix, prefix)`, or the CLI command `prefix` described on page 119. The prefix string is only used with relative file names not already prefixed with directories given by path variables such as `BCPLPATH` or `POSPATH`.

## 3.4 Random Access

Disk files can be regarded as potentially huge vectors of bytes with the first byte being at position zero of the file. An opened stream to or from a file has a file position pointer that holds the position relative to the start of where the next byte will be transferred. For any such stream this position can be read using `note(scb, posv)` or updated using `point(scb, posv)`. For read-write streams it is possible to read or write data at any position in the file.

Disk files can also be regarded as potentially huge collections of fixed length records. The user must specify the record size by calling `setrecordlength`. The records of a file are given consecutive numbers starting with zero, and can be read or written using `get_record` and `put_record`. The record number of the next record to be transferred can be obtained by calling `recordnote` and can be set using `recordpoint`. All these record functions are described in Section 3.3

## 3.5 RAM streams

A special form of random access stream is a RAM stream which can be created by the call `findinoutput("RAM:")`. RAM streams hold all the data in main memory in the stream buffer. As data is written to a RAM stream, its buffer is automatically enlarged as needed. The data can be read back by calling `rewindstream` followed by calls of `rdch`. Alternatively it can be accessed from the buffer held in `scb!scb_buf`. The number of valid bytes in the buffer is `scb!scb_end`. When a RAM stream is closed its buffer and `scb` are returned to free store.

## 3.6 Environment Variables

Most operating systems allow the user to set environment variables whose names consist of letters and digits and whose values are arbitrary character strings. Both Cintsys and Cintpos use such variables to specify directories to be searched when looking up files in certain contexts. These directories are separated by semicolons or colons, but when running under Windows only semicolons are allowed.

In the standard Cintsys system the environment variable `BCPLROOT` holds the file name of the root directory of the system. `BCPLPATH` holds a list of directories that are searched when attempting to load the Cintcode compiled form of a BCPL program. `BCPLHDRS` holds the directories to be searched when the BCPL compiler is processing a `GET` directive and `BCPLSCRIPTS` specified the directories to be searched when the `c` command is looking for a command-command script.

In the standard Cintpos system these variables are called `POSRROOT`, `POSPATH`, `POSHDRS` and `POSSCRIPTS`. It is sometimes convenient to use other names, for instance, `NBCPLROOT`, `NBCPLPATH`, `NBCPLHDRS` and `NBCPLSCRIPTS` might be used when developing a new version of Cintsys. To make this possible the system allocates static space to hold the names and provides the command `setroot` described on page 124 to allow the user to change them. These names may be up to 63 characters long are accessible to commands such as `bcpl`, `c` and `setroot` via the rootnode fields `rtn_rootvar`, `rtn_pathvar`, `rtn_hdrsvar` and `rtn_scriptsvar`.

When Cintsys (or Cintpos) starts up it requires a valid setting of `rtn_pathvar` in order to locate Cintcode modules such as `BOOT` and `BLIB`. The default setting of this field is `BCPLPATH` (or `POSPATH`) but can be changed using the `-cin` argument at startup as in

```
cintsys -cin NBCPLPATH
```

After loading the resident system control is passed to `BOOT` which updates the variable names appropriately for the system being run. It is unlikely that the user will want change them using `setroot` although it might be useful to use `setroot` to see what names are currently being used.

If the value of an environment variable represents a list of directories, they should be given using Linux style slash (/) separators and the directories separated by semicolons (rather than the Linux style colons). This allows colon prefixes such as `G:` to be used in, for instance, Windows version of the system. For compatibility with older systems, colons may be used as an alternative to semicolons when not running under Windows.

When Cintpos starts up the process is similar except the setting of `rtn_pathvar` is `POSPATH` unless explicitly changed using `-cin`.

When installing `cintsys` or `cintpos` for the first time it is common to fail to set the environment variables correctly. To help repair such mistakes, use the `-f` option when calling `cintsys` or `cintpos`. This will output a trace of every time any file is looked up using an environment variable. Even more information is generated if the `-v` argument is also given (or even `-vv`). Until the system is working correctly it is recommended that it is started using

```
cintsys -f
```

or

```
cintpos -f -v
```

## 3.7 Coroutine examples

This section contains examples that use the coroutine mechanism.

### 3.7.1 A square wave generator

The following function is the main function of a coroutine that generates square wave samples.

```
LET squarefn(args) = VALOF
{ LET freq, amplitude, rate = args!0, args!1, args!2
  LET x = 0
  cwait(@freq) // Return a pointer -> [freq, amplitude, rate]

  { // freq is a scaled fixed point value with
    // three digits after the decimal point.
    LET q4 = rate*1000
    LET q2 = q4/2
    UNTIL x > q2 DO { cwait(+amplitude) // First half cycle
                     x := x + freq
                   }
    UNTIL x > q4 DO { cwait(-amplitude) // Second half cycle
                     x := x + freq
                   }
    x := x - q4
  } REPEAT
}
```

The following call creates a coroutine that initially generates a square wave with frequency 440Hz and amplitude 5000 at a rate of 44100 samples per second.

```
sqco := initco(squarefn, 300, 440_000, 5_000, 44_100)
sqparmv := result2 // sqparmv -> [freq, amplitude, rate]
```

One second's worth of samples can now be obtained by:

```
FOR i = 1 TO 44100 DO
{ LET sample = callco(sqco)
  ...
}
```

At any moment, the frequency and amplitude can be changed by assignments such as:

```
sqparmv!0 := newfrequency
sqparmv!1 := newamplitude
```

Other examples of the use of `initco` can be found below.

### 3.7.2 Hamming's Problem

A following problem permits a neat solution involving coroutines.

Generate the sequence 1, 2, 3, 4, 5, 6, 8, 9, 10, 12, . . . of all numbers divisible by no primes other than 2, 3, or 5".

This problem is attributed to R.W.Hamming. The solution given here shows how data can flow round a network of coroutines. It is illustrated in figure 3.10 in which each box represents a coroutine and the edges represent `callco/cowait` connections. The end of a connection corresponding to `callco` is marked by `c`, and an end corresponding to `cowait` is marked by `w`. The arrows on the connections show the direction in which data moves. Notice that, in `tee1`, `callco` is sometimes used for input and sometimes for output.

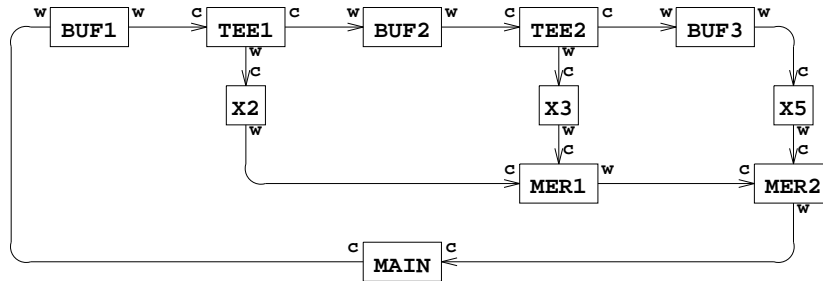


Figure 3.10: Coroutine data flow

The coroutine `BUF1` controls a queue of integers. Non-zero values can be inserted into the queue using `callco(BUF1, val)`, and values can be extracted using `callco(BUF1, 0)`. The coroutines `BUF2` and `BUF3` are similar. The coroutine `TEE1` is connected to `BUF1` and `BUF2` and is designed so that `callco(TEE1)` executed in coroutine `X2` will yield a value that `TEE1` extracted from `BUF1`, after sending a copy to `BUF2`. `TEE2` similarly takes values from `BUF2` passing them to `BUF3` and `X3`. Values passing through `X2`, `X3` and `X5` are multiplied by 2, 3 and 5, respectively. `MER1` merges two monotonically increasing streams of numbers produced by `X2` and `X3`. The resulting monotonic stream is then merged by `MER2` with the stream produced by `X5`. The stream produced by `MER2` is the required Hamming sequence, each value of which is printed by `MAIN` and then inserted into `BUF1`.

The BCPL code for this solution is as follows:

```

GET "libhdr"

LET buf(args) BE // Body of BUF1, BUF2 and BUF3
{ LET p, q, val = 0, 0, 0
  LET v = VEC 200

  { val := cwait(val)
    TEST val=0 THEN { IF p=q DO writef("Buffer empty*n")
                     val := v!(q REM 201)
                     q := q+1
                   }
    ELSE { IF p=q+201 DO writef("Buffer full*n")
          v!(p REM 201) := val
          p := p+1
        }
  } REPEAT
}

LET tee(args) BE // Body of TEE1 and TEE2
{ LET in, out = args!0, args!1
  cwait() // End of initialisation.

  { LET val = callco(in, 0)
    callco(out, val)
    cwait(val)
  } REPEAT
}

AND mul(args) BE // Body of X2, X3 and X5
{ LET k, in = args!0, args!1
  cwait() // End of initialisation.

  cwait(k * callco(in, 0)) REPEAT
}

LET merge(args) BE // Body of MER1 and MER2
{ LET inx, iny = args!0, args!1
  LET x, y, min = 0, 0, 0
  cwait() // End of initialisation

  { IF x=min DO x := callco(inx, 0)
    IF y=min DO y := callco(iny, 0)
    min := x<y -> x, y
    cwait(min)
  } REPEAT
}

```

```

LET start() = VALOF
{ LET BUF1 = initco(buf, 500)
  LET BUF2 = initco(buf, 500)
  LET BUF3 = initco(buf, 500)
  LET TEE1 = initco(tee, 100, BUF1, BUF2)
  LET TEE2 = initco(tee, 100, BUF2, BUF3)
  LET X2 = initco(mul, 100, 2, TEE1)
  LET X3 = initco(mul, 100, 3, TEE2)
  LET X5 = initco(mul, 100, 5, BUF3)
  LET MER1 = initco(merge, 100, X2, X3)
  LET MER2 = initco(merge, 100, MER1, X5)

  LET val = 1
  FOR i = 1 TO 100 DO { writef(" %i6", val)
                       IF i REM 10 = 0 DO newline()
                       callco(BUF1, val)
                       val := callco(MER2)
                     }

  deleteco(BUF1); deleteco(BUF2); deleteco(BUF3)
  deleteco(TEE1); deleteco(TEE2)
  deleteco(X2); deleteco(X3); deleteco(X5)
  deleteco(MER1); deleteco(MER2)
  RESULTIS 0
}

```

### 3.7.3 A Discrete Event Simulator

This is a benchmark test for a discrete event simulator using coroutines. It simulates a network of  $n$  nodes which each receive, queue, process and transmit messages to other nodes. The nodes are uniformly spaced on a straight line and the network delay is assumed to be proportional to the linear distance between the source and the destination. When a message arrives at a node it is queued if the node was busy, otherwise it is processed immediately. After processing the message for random time, it is sent to another randomly chosen node. After dispatching the message, the node dequeues its next message and processes it if there is one, otherwise the node becomes suspended. Initially every node is processing a message and every queue is empty. There are  $n$  coroutines to simulate the progress of each message and the discrete event priority queue is implemented using the heapsort heap structure. The simulation stops at a specified simulated time. The result is the number of messages that have been processed. A machine independent random number generator is used so the resulting value should be independent of implementation language and machine being used.

The program is given below. When it is run using the default settings, it executes 435,363,350 Cintcode instructions and has 2,510,520 coroutine changes.



```

SECTION "cosim"

GET "libhdr"

GLOBAL {
  priq:ug      // The vector holding the priority queue
  priqub      // The upper bound
  priqn       // Number of items in the priority queue
  wkqv       // The vector of work queues
  count       // count of messages processed
  nodes      // The number of nodes
  ptmax      // The maximum processing time
  stopco     // The stop coroutine
  cov       // Vector of message coroutines
  ranv      // A vector used by the random number generator
  rani; ranj // subscripts of ranv
  simtime   // Simulated time
  stoptime  // Time to stop the simulation
  tracing
}

// Functions
  rnd; initrnd; closernd; prq; insertevent; upheap
  downheap; getevent; waitfor; prwaitq; qitem; dqitem
  stopcofn; messcofn
}

// ##### Random number generator #####

// The following random number generator is based on one give
// in Knuth: The art of programming, vol 2, p 26.
LET rnd(n) = VALOF
{ LET val = (ranv!rani + ranv!ranj) & #x_FFF_FFFF
  ranv!rani := val
  rani := (rani + 1) MOD 55
  ranj := (ranj + 1) MOD 55
  RESULTIS val MOD n
}

AND initrnd(seed) = VALOF
{ LET a, b = #x_234_5678+seed, #x_536_2781
  ranv := getvec(54)
  UNLESS ranv RESULTIS FALSE
  FOR i = 0 TO 54 DO
  { LET t = (a+b) & #x_FFF_FFFF
    a := b
    b := t
    ranv!i := t
  }
  rani, ranj := 55-55, 55-24 // ie: 0, 31
  RESULTIS TRUE
}

AND closernd() BE IF ranv DO freevec(ranv)

```

```

// ##### Priority Queue functions #####

AND prq() BE
{ FOR i = 1 TO priqn DO writef(" %i4", priq!i!0)
  newline()
}

AND insertevent(event) BE
{ priqn := priqn+1 // Increment number of events
  upheap(event, priqn)
}

AND upheap(event, i) BE
{ LET eventtime = event!0
  //writef("upheap: eventtime=%n i=%n*n", eventtime, i)

  { LET p = i/2 // Parent of i
    UNLESS p & eventtime < priq!p!0 DO
    { priq!i := event
      RETURN
    }
    priq!i := priq!p // Demote the parent
    i := p
  } REPEAT
}

AND downheap(event, i) BE
{ LET j, min = 2*i, ? // j is left child, if present
  IF j > priqn DO
  { upheap(event, i)
    RETURN
  }
  min := priq!j!0
  // Look at other child, if it exists
  IF j < priqn & min > priq!(j+1)!0 DO j := j+1
  // promote earlier child
  priq!i := priq!j
  i := j
} REPEAT

AND getevent() = VALOF
{ LET event = priq!1 // Get the earliest event
  LET last = priq!priqn // Get the event at the end of the heap
  UNLESS priqn > 0 RESULTIS 0 // No events in the priority queue
  priqn := priqn-1 // Decrement the heap size
  downheap(last, 1) // Re-insert last event
  RESULTIS event
}

AND waitfor(ticks) BE
{ // Make an event item into the priority queue
  LET eventtime, co = simtime+ticks, curcco
  insertevent(@eventtime) // Insert into the priority queue
  cwait() // Wait for the specified number of ticks
}

```

```

// ##### Queueing functions #####

AND prwaitq(node) BE
{ LET p = wkqv!node
  IF -1 <= p <= 0 DO { writef("wkq for node %n: %n*n", node, p); RETURN }
  writef("wkq for node %n:", node)
  WHILE p DO
  { writef(" %n", p!1)
    p := !p
  }
  newline()
}

AND qitem(node) BE
// The message has reached this node
// It currently not busy, mark it as busy and return to process
// the message, other append it to the end of the work queue
// for this node.
{ // Make a queue item
  LET link, co = 0, currco
  LET p = wkqv!node
  UNLESS p DO
  { // The node was not busy
    wkqv!node := -1 // Mark node as busy
    IF tracing DO
      writef("%i8: node %i4: node not busy*n", simtime, node)
    RETURN
  }
  // Append item to the end of this queue
  IF tracing DO
    writef("%i8: node %i4: busy so appending message to end of work queue*n",
      simtime, node)
  TEST p=-1
  THEN wkqv!node := @link // Form a unit list
  ELSE { WHILE !p DO p := !p // Find the end of the wkq
        !p := @link // Append to end of wkq
      }
  cwait() // Wait to be activated (by dqitem)
}

AND dqitem(node) BE
// A message has just been processed by this node and is ready to process
// the next, if any.
{ LET item = wkqv!node // Current item (~=0)
  UNLESS item DO abort(999)
  TEST item=-1
  THEN wkqv!node := 0 // The node is no longer busy
  ELSE { LET next = item!0
        AND co = item!1
        wkqv!node := next -> next, -1 // De-queue the item
        callco(co) // Process the next message
      }
}

```

```

// ##### Coroutine Bodies #####

AND stopcofn(arg) = VALOF
{ waitfor(stoptime)
  IF tracing DO
    writef("%i8: Stop time reached*n", simtime)
  RESULTIS 0
}

AND messcofn(node) = VALOF
{ qitem(node) // Put the message on the work queue for this node

  { // Start processing the first message
    LET prtime = rnd(ptmax) // a random processing time
    LET dest = rnd(nodes) + 1 // a random destination node
    LET netdelay = ABS(node-dest) // the network delay

    IF tracing DO
      writef("%i8: node %i4: processing message until %n*n",
        simtime, node, simtime+prtime)
    waitfor(prtime)
    count := count + 1 // One more message processed
    IF tracing DO
      writef("%i8: node %i4: message processed*n",
        simtime, node, dest, simtime+netdelay)
    dqitem(node) // De-queue current item and activate the next, if any
    IF tracing DO
      writef("%i8: node %i4: sending message to node %n to arrive at %n*n",
        simtime, node, dest, simtime+netdelay)

    waitfor(netdelay)
    node := dest // The message has arrived at the destination node
    IF tracing DO
      writef("%i8: node %i4: message reached this node*n",
        simtime, node)
    qitem(node) // Queue the message if necessary
    // The node can now process the first message on its work queue
  } REPEAT
}

// ##### Main Program #####

LET start() = VALOF
{ LET seed = 0
  LET argv = VEC 50

  UNLESS rdargs("-n/n,-s/n,-p/n,-r/n,-t/s", argv, 50) DO
  { writef("Bad arguments for cosim*n")
    RESULTIS 0
  }

  nodes, stoptime, ptmax := 500, 1_000_000, 1000
  IF argv!0 DO nodes := !(argv!0) // -n/n
  IF argv!1 DO stoptime := !(argv!1) // -s/n
  IF argv!2 DO ptmax := !(argv!2) // -p/n
  IF argv!3 DO seed := !(argv!3) // -r/n
  tracing := argv!4 // -t/s
}

```

```

writef("\nCosim entered*\n*\n")
writef("Network nodes:      %n*\n", nodes)
writef("Stop time:          %n*\n", stoptime)
writef("Max processing time: %n*\n", ptmax)
writef("Random number seed:  %n*\n", seed)
newline()

UNLESS initrnd(seed) DO
{ writef("Can't initialise the random number generator*\n")
  RESULTIS 0
}
stopco := 0
wkqv, priq, cov := getvec(nodes), getvec(nodes+1), getvec(nodes)
UNLESS wkqv & priq & cov DO
{ writef("Can't allocate space for the node work queues*\n")
  GOTO ret
}

FOR i = 1 TO nodes DO wkqv!i, cov!i := 0, 0
priqn := 0 // Number of events in the priority queue
count := 0 // Count of message processed
simtime := 0 // Simulated time

IF tracing DO writef("%i8: Starting simulation*\n", simtime)

// Create and start the stop coroutine
stopco := createco(stopcofn, 200)
IF stopco DO callco(stopco)
// Create and start the message coroutines
FOR i = 1 TO nodes DO
{ LET co = createco(messcofn, 200)
  IF co DO callco(co, i)
  cov!i := co
}
// Run the event loop

{ LET event = getevent() // Get the earliest event
  UNLESS event BREAK
  simtime := event!0 // Set the simulated time
  IF simtime > stoptime BREAK
  callco(event!1)
} REPEAT

IF tracing DO writef("\nSimulation stopped*\n*\n")
writef("Messages processed: %n*\n", count)
ret:
FOR i = nodes TO 1 BY -1 IF cov!i DO deleteco(cov!i)
IF cov DO freevec(cov)
IF wkqv DO freevec(wkqv)
IF priq DO freevec(priq)
IF stopco DO deleteco(stopco)
closernd()
RESULTIS 0

fail:
writef("Unable to initialise the simulator*\n")
GOTO ret
}

```

## 3.8 The Graphics Library

The graphics library provides facilities for drawing pictures and outputting them to file. This library is designed to generate `.bmp` files representing potentially large images using 8-bit pixels. It should not be confused with the SDL and GL libraries (described later) used to generate images on the display screen.

This library uses a rectangular canvas of 8-bit pixels with a predefined mapping from 8-bit values to RGB colours. The user can specify the canvas size (which can be quite large) but the colour map is preset. There is a graphics header file (`g/graphics.h`) declaring various constants and globals. The library itself can be inserted into a program by the following statements.

```
GET "libhdr"
//MANIFEST { g_grfbase=nnn } // Needed if default of 400 not suitable.
GET "graphics.h"
GET "graphics.b"
```

The constant `g_grfbase` specifies the position of the first global variable to be used by this graphics library. Its default value is given in `libhdr`. An example of how to use the graphics library is the program `bcplprog/tests/tstgraphics.b`.

### 3.8.1 The Graphics Constants

The constants `col_white`, `col_rb`, `col_b`, `col_gb`, `col_g`, `col_rg`, `col_r`, and `col_black` are the 8-bit values representing a selection of basic colours from white to black. The letter `r`, `g`, and `b` represent the presence of red, green and blue.

### 3.8.2 The Graphics Global Variables

The following variables are private to the graphics library and should not normally be directly accessed by the user.

<code>canvas</code>	Rectangular array of pixel bytes
<code>canvassize</code>	Number of bytes in canvas
<code>canvasupb</code>	UPB of canvas in words
<code>xsize</code>	The number of pixels in the x direction
<code>ysize</code>	The number of pixels in the y direction
<code>colourtab</code>	Vector to map pixel bytes to RGB values
<code>rowlen</code>	<code>xsize</code> rounded up to a multiple of 4 bytes
<code>plotx</code>	Current x position
<code>ploty</code>	Current y position
<code>plotcolour</code>	Current colour

### 3.8.3 The Graphics Functions

- `opengraphics(xsize, ysize)` CIN:y, POS:y, NAT:y  
 This function opens the graphics library. It allocates a canvas of 8-bit pixels of specified size and creates a predefined colour map.
- `closegraphics()` CIN:y, POS:y, NAT:y  
 This function closes the graphics library returning the canvas to freestore.
- `wrpixel(x, y, col)` CIN:y, POS:y, NAT:y  
 This function places a pixel of given colour at position (*x*,*y*) on the canvas.
- `wrpixel33(x, y, col)` CIN:y, POS:y, NAT:y  
 This function places a 3x3 square of pixels of given colour centred at position (*x*,*y*) on the canvas.
- `plotch(ch)` CIN:y, POS:y, NAT:y  
 This function places a 8x12 array of pixels of given colour `plotcolour` with its bottom left pixel at (`plotx`,`ploty`). If *ch* is '`*n`', `plotx` is set to 10 and `ploty` decremented by 14, otherwise `plotx` is incremented by 9.
- `plotstr(str)` CIN:y, POS:y, NAT:y  
 This function calls `plotch` for each character in the given string.
- `moveto(x, y)` CIN:y, POS:y, NAT:y  
 This function sets `plotx` and `ploty` to *x* and *y*, respectively.
- `moveby(dx, dy)` CIN:y, POS:y, NAT:y  
 This function increments `plotx` and `ploty` by *dx* and *dy*, respectively.
- `drawto(x, y)` CIN:y, POS:y, NAT:y  
 This function draws a line of colour `plotcolour` from (`plotx`,`ploty`) to (*x*,*y*).
- `drawby(dx, dy)` CIN:y, POS:y, NAT:y  
 This function draws a line of colour `plotcolour` from (`plotx`,`ploty`) to (`plotx`+*x*,`ploty`+*dy*).
- `drawrect(x0, y0, x1, y1)` CIN:y, POS:y, NAT:y  
 This function draws the outline of the rectangle (*x0*,*y0*), (*x1*,*y0*), (*x1*,*y1*), (*x0*,*y1*) using `plotcolour`. `plotx` and `ploty` are set to *x1* and *y1*, respectively.
- `drawrndrect(x0, y0, x1, y1, radius)` CIN:y, POS:y, NAT:y  
 This function draws the outline of the rectangle (*x0*,*y0*), (*x1*,*y0*), (*x1*,*y1*), (*x0*,*y1*) with rounded corners of given radius using `plotcolour`. If *radius* is less than or equal to zero the corners are square, and if *radius* is greater than half the shorter side length it is reduced to this value. `plotx` and `ploty` are set to *x1* and *y1*, respectively.

`fillrect(x0, y0, x1, y1)` CIN:y, POS:y, NAT:y

This function draws the rectangle  $(x_0, y_0), (x_1, y_0), (x_1, y_1), (x_0, y_1)$  filled with `plotcolour`. `plotx` and `ploty` are set to  $x_1$  and  $y_1$ , respectively.

`fillrndrect(x0, y0, x1, y1, radius)` CIN:y, POS:y, NAT:y

This function draws the rectangle  $(x_0, y_0), (x_1, y_0), (x_1, y_1), (x_0, y_1)$  with rounded corners of given radius filled with `plotcolour`. If *radius* is less than or equal to zero the corners are square, and if *radius* is greater than half the shorter side length it is reduced to this value. `plotx` and `ploty` are set to  $x_1$  and  $y_1$ , respectively.

`drawcircle(x, y, radius)` CIN:y, POS:y, NAT:y

This function draws the outline of the circle centred at  $(x, y)$  with given radius. Its colour is `plotcolour`. `plotx` and `ploty` are set to  $x$  and  $y$ , respectively.

`fillcircle(x, y, radius)` CIN:y, POS:y, NAT:y

This function draws a filled circle centred at  $(x, y)$  with given radius. Its colour is `plotcolour`. `plotx` and `ploty` are set to  $x$  and  $y$ , respectively.

`wrgraph(filename)` CIN:y, POS:y, NAT:y

This function writes the canvas to the given file in `.pbm` format. The image is (currently) scaled to 15x25cms.

### 3.9 The SDL Graphics Library

The SDL Graphics Library is available for many platforms including Linux, Windows as OSX. It allows the user to create a window on the screen and repeatedly draw simple images allowing primitive interactive games to be implemented. It provides a good interface with devices such as the keyboard, the mouse and joysticks. In due course this interface will include facilities for generating sound.

To include these features in `cintsys` it is necessary to install the SDL libraries on you machine and then build `cintsys` using a Makefile such as `MakefileSDL`, `MakefileRaspiSDL` or `MakefileVCSDL`.

The SDL library uses the `sys(Sys_sdl, ...)` functions. There is a header file (`g/sdl.h`) declaring the various constants and globals available in the SDL library, and `g/sdl.b` contains the definitions of several functions providing the interface to SDL. The constant `g_sdlbase` is set in `libhdr` to be the first global used in the SDL library. It can be overridden by re-defining `g_sdlbase` after GETting `libhdr`.

A program wishing to use the SDL library should start with the following lines.

```
GET "libhdr"
MANIFEST { g_sdlbase=nnn } // Only used if the default setting of 450 in
                          // libhdr is not suitable.
GET "sdl.h"
GET "sdl.b"              // Insert the library source code
.
```



```

GET "libhdr"
MANIFEST { g_sdlbase=nnn } // Only used if the default setting of 450 in
                           // libhdr is not suitable.
GET "sdl.h"

```

This library is currently described in Chapter 4 of [bcpl4raspi.pdf](#) available from my home page.

## 3.10 The GL Graphics Library

*This library is still under development*

OpenGL is a sophisticated graphics library allowing 3D images to be drawn on the screen efficiently using the full power of the graphics hardware available on most machines. On most desktop and laptop machines the full OpenGL library is available, but on handheld devices only a simplified version called OpenGL ES is available. The BCPL interface is designed to work with whichever version of OpenGL is available. This library essentially provides a subset of the OpenGL ES features. Note that the GL interface on the Raspberry Pi uses OpenGL ES.

To include these features in `cintsys` it is necessary to install the OpenGL libraries on your machine and then build `cintsys` using a Makefile such as `MakefileGL`, `MakefileRaspiGL` or `MakefileVCGL`.

The GL library uses the `sys(Sys_gl,...)` functions. There is a header file (`g/gl.h`) declaring the various constants and globals available in the GL library, and `g/gl.b` contains the definitions of several functions providing the interface to OpenGL. The constant `g_glbases` is set in `libhdr` to be the first global used in the GL library. It can be overridden by re-defining `g_glbases` after GETting `libhdr`.

A program wishing to use the OpenGL library should start with the following lines.

```

GET "libhdr"
MANIFEST { g_glbases=nnn } // Only used if the default setting of 450 in
                           // libhdr is not suitable.

GET "gl.h"
GET "gl.b"                // Insert the library source code
.
GET "libhdr"
MANIFEST { g_glbases=nnn } // Only used if the default setting of 450 in
                           // libhdr is not suitable.
GET "gl.h"

```

This library will be described in Chapter 5 of [bcpl4raspi.pdf](#) available from my home page.

## 3.11 The Sound Library

*This library is under development*

The sound library uses the `sys(Sys_sound, ...)` functions to provide facilities for reading, writing and analysing sound data. There is a sound header file (`g/sound.h`) declaring various constants and globals available in the sound library. The sound library itself is in `g/sound.b` and can be inserted into a program by the following statements.

```
GET "libhdr"
MANIFEST { g_sndbase=nnn } // Only used if the default setting of 400 in
                          // libhdr is not suitable.
GET "sound.h"
GET "sound.b"           // Insert the library source code
```

The manifest constant `g_sndbase` specifies the position of the first global variable to be used by the sound library.

### 3.11.1 The Sound Constants

*The sound library is not yet available.*

### 3.11.2 The Sound Global Variables

*The sound library is not yet available.*

### 3.11.3 The Sound Functions

*The sound library is not yet available.*

## 3.12 The EXT Library

This library is designed to allow users to construct their own extension library involving code in C and assembly language. Its structure is similar to that of the SDL and GL libraries.

It uses the `sys(Sys_ext, ...)` functions to interface with C code defined in `sysc/extfn.c`, and has two header files `ext.h` and `ext.b` providing the BCPL interface. Programs using the EXT library should start with the following statements.

```
GET "libhdr"
MANIFEST { g_extbase=nnn } // Only used if the default setting of 900 in
                          // libhdr is not suitable.
GET "ext.h"
GET "ext.b"           // Insert the library source code
```

# Chapter 4

## The Command Language

The Command Language Interpreter (CLI) is a simple interactive interface between the user and the system. It loads and executes previously compiled programs that are held either in the current directory or one of the directories specified by the shell environment variable (typically `BCPLPATH` or `POSPATH`) whose name is in `rootnode!rtn_path`. These commands are described in Section 4.3 and their source code can be found in the `com` directory. The command language is a combination of the features provided by the CLI and the collection of commands that can be invoked. Under Cintpos, a similar CLI program provides command language interpreters in several contexts such as those created by the commands: `run`, `newcli`, `tcpcli` and `mbxcli`. Details of the implementation of both CLIs are given at the end of this chapter from page 129.

Commands can set a return code in the global `returncode` with zero meaning successful termination and other values indicating the severity of the fault. Commands that set a non zero return code are expected to leave a reason code in `result2`. The CLI copies the return code and reason code of the previous command into the CLI variables `cli_returncode` and `cli_result2`, respectively. These can be inspected by commands such as `if` and `why` and also used by the CLI to terminate a command-command if the failure was severe enough. For details, see the command `failat` on page 115 below.

### 4.1 Bootstrapping Cintsys

When Cintsys is started, control is passed to the interpreter which, after a few initial checks, allocates vectors for the memory of the Cintcode abstract machine and the tally vector available for statistics gathering. The Cintcode memory is initialised suitably for sub-allocation by `getvec`, which is then used to allocate space for the root node, the initial stack and the initial global vector. The initial state shown in figure 4.1 is completed by loading the object modules `SYSLIB`, `BLIB` and `BOOT`, and initialising the root node, the stack and global vector. Interpretation of Cintcode instructions now begins with the Cintcode register `PC`, `P` and `G` set as shown in the figure, and `Count` set to `-1`. The other registers are cleared. The first Cintcode instruction to be executed is the first instruction of the body of the function `start` defined in `sysb/boot.b`. Since

no return link has been stored into the stack, this call of `start` must not attempt to return in the normal way; however, its execution can still be terminated using `sys(Sys_quit,0)`.

The global vector and stack shown in figure 4.1 are used by `start` and form the running environment both during initialization and while running the debugger. The CLI, on the other hand, is provided with a new stack and a separate global vector, thus allowing the debugger to use its own globals freely without interfering with the command language interpreter or running commands. The global vector of 1000 words is allocated for the CLI and this is shared by the CLI program and its running commands. The stack, on the other hand, is used exclusively by the command language interpreter since it creates a coroutine for each command it runs.

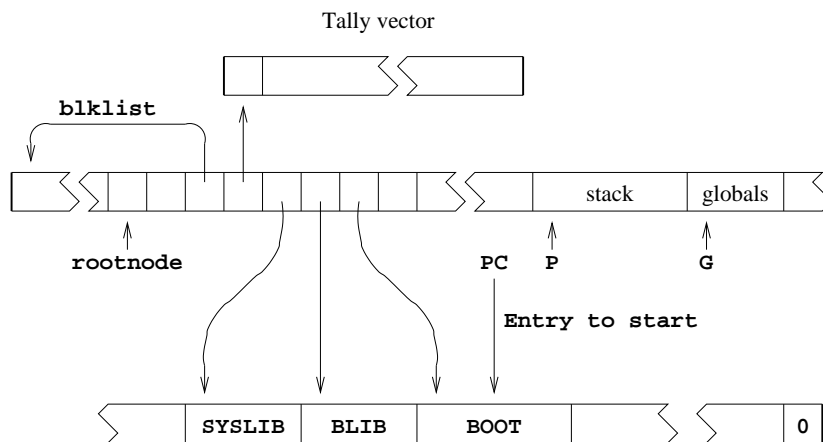


Figure 4.1: The initial state

Control is passed to the CLI by means of the call `sys(Sys_interpret,regs)` which recursively enters the interpreter from an initial Cintcode state specified by the vector `regs` in which that `P` and `G` are set to point to the bases of a new stack and a new global vector for CLI, respectively, `PC` is the location of the first instruction of `startcli`, and `count` is set to `-1`. This call of `sys(Sys_interpret,regs)` is embedded in the loop shown below that occurs at the end of the body of `start`.

```
{ LET res = sys(Sys_interpret, regs) // Call the interpreter
  IF res=0 DO sys(Sys_quit, 0)
  debug res // Enter the debugger
} REPEAT
```

At the moment `sys(Sys_interpret,regs)` is first called, only `globalsize`, `sys` and `rootnode` have been set in CLI's global vector and so the body of `startroot` must be coded with care to avoid calling global functions before their entry points have been placed in the global vector. Thus, for instance, instead of calling `globin` to initialise the globals defined in `BLIB`, `SYSLIB` and `DLIB`, the following code is used:

```
sys(Sys_globin, rootnode!rtn_blib)
```

If a fault occurs during the execution of CLI or a command that it is running, the call of `sys(Sys_interpret,regs)` will return with the fault code and `regs` will

hold the dumped Cintcode registers. A result of zero, signifying successful completion, causes execution of Cintsys to terminate; however, if a non zero result is returned, the debugger is entered by means of the call `debug(res)`. Note that the Cintcode registers are available to the debugger since `regs` is a global variable. When `debug` returns, the REPEAT-loop ensures that the command language interpreter is re-entered. The debugger is briefly described in the Chapter 7.

On entry to `startroot`, the coroutine environment is initialised by setting `currco` and `colist` to point to the base of the current stack which is then setup as the root coroutine. The remaining globals are initialised and the standard input and output streams opened before loading the CLI program by means of the following statement:

```
rootnode!rtn_cli := globin(loadseg("syscin/cli"))
```

The command language interpreter is now entered by the call `start()`.

## 4.2 Bootstrapping Cintpos

Bootstrapping Cintpos is somewhat more complicated than bootstrapping Cintsys since there are more resident modules of code, and the Cintpos system structures and resident tasks must be set up. Bootstrapping starts when the `cintpos` program is entered. It first decodes the command arguments, possibly changing the Cintcode memory or tally vector sizes. It then allocates these vectors, initialising every word of the Cintcode memory with the value `#xDEADCODE`. It also allocates a vector to hold counts of how many blocks of each requested size have been allocated `getvec` but not yet freed. It then allocates and initialises the stack and global vector to be used by `BOOT`. The rootnode is then initialised, including the setting of the fields: `rtn_boot` (holding the module `boot`), `rtn_klib` (holding the module `klib`), `rtn_blib` (holding the modules `blib`, `syslib` and `dlib`) and `rtn_sys` (holding the entry point to the function `sys`).

The initial values of the Cintcode registers are now placed in the register set `bootregs`. The Cintcode interpreter is entered to start execution from this initial state. If the interpreter returns a non zero result, a message containing this value is written to the standard output stream, and, if the `rtn_dumpflag` field of the root node is `TRUE`, the entire Cintcode memory is dumped to the file `DUMP.mem` in compacted form suitable for inspection by commands such as `dumpsys` or `dumpdebug`.

### 4.2.1 The Cintpos BOOT module

The function `start` in `boot` is the very first BCPL compiled code to be entered when Cintpos starts. On entry, the Cintcode registers `A`, `B` and `C` are zero, `P` and `G` point to `BOOT`'s stack and global vector, and `ST` is set to 2, indicating that we are in `boot` and that interrupts are disabled. The global vector has already been initialised to hold all the entry points in `boot`, `klib`, `blib`, `syslib` and `dlib`, but the stack currently is filled entirely with the value `stackword=#xABCD1234` except for its zeroth word which was set by `cintpos` to hold the stacksize. To improve the behaviour of the standalone debugger, this stack is turned into a root coroutine stack of the specified size, initialising the globals `currco` and `colist` appropriately.

All console input and output within BOOT and the standalone debugger is done using the standalone version of `rdch` and `wrch`, so these globals are updated appropriately. BOOT next initialises the variables used by the standalone debugger. These include the vectors `bpt_addr`, `bpt_instr` and `bpt_dbgvars` which respectively hold break point address, breakpoint instructions that have been overwritten by the BRK instruction, and the vector of the 10 standalone debugger variables `V0` to `V9`. These three vectors are placed in the rootnode to make them accessible both to the DEBUG task and to `dumpdebug` when it is inspecting a system dump.

BOOT now creates and initialises a global vector and a stack to be used during the further initialisation of the Cintpos system. The all elements of the global vector are given values of the form `globword(=#x8F8F0000)+n`, except for the globals `globsize`, `sys`, `rootnode`, `currco` and `colist`, the last two being set to zero. Every element of the stack is set to `stackword(=#xABCD1234)`. The register set `klibregs` is initialised, giving zero to A, B and C, the stack and global vector pointers to P and G, the value one to ST to indicate execution is in KLIB and interrupts are disabled, and the entry point `startroot` in PC. This register set is then handed to a recursive call of the interpreter. This inner call is the one than performs the rest of the initialisation and enters the normal execution of Cintpos. In due course the interpreter will return with a completion code which controls what BOOT should do next.

A completion code of zero signifies successfully completion and BOOT causes the termination of `cintpos`. A return code of -1 is special, causing BOOT to re-enter the interpreter immediately. Its purpose is to allow a running program to change which interpreter is used. There are typically two interpreters: a slow one in which all debugging aids are turned on, and a fast one in which most aids are turned off. The call `sys(Sys_interpret, regs)` selects the fast interpreter if the count register in `regs` is -1, otherwise it selects the slow interpreter. The return code -2 allows a running program to invoke the `dumpmem` mechanism to write the file DUMP.mem representing the current state of the entire Cintcode memory. Any other return code caused BOOT to invoke the standalone debugger, which many in due course return allowing the interpreter to be re-entered.

BOOT cunningly places a private version of the `sys` function in its global vector so that, even if a breakpoint is set in the public version of `sys`, BOOT and in particular the standalone debugger can continue to work as normal. When BOOT invokes the interpreter for the first time execution begins at the start of `startroot` which is described in the next section.

## 4.2.2 startroot

This function creates the Cintpos running environment and loads all the resident system tasks. Finally it enters the Cintpos scheduler which, in turn, gives control to the Idle task which sends a packet to the root CLI task. After some initialisation, this issues the first CLI prompt inviting the user to type in a command. Knowledge of the underlying structures used by Cintpos is key to understand how Cintpos works. They are described in this section in the order in which `startroot` creates them.

`startroot` is entered by the recursive call of `interpret` from `BOOT` with a new stack and a different global vector from that used by `BOOT`. If the interpreter subsequently detects a fault it returns to `BOOT`'s running environment giving control to the interactive debugger allowing the user to inspect the stack and global vector that were current at the time the fault.

Although `startroot` has three formal parameters `fn`, `size` and `c`, it was entered in a non standard way and these have not been given values. However, the base of `startroot`'s stack is at `@fn-3`. This points to the zeroth element holding the stack size with all other elements already set by `BOOT` to `stackword` (`#xABCD1234`). This stack is turned into a coroutine stack by updating its bottom six elements appropriately. Care is taken to ensure that the code that performs this initialisation is not itself using the stack locations that it is updating. This is one of the reasons why `startroot` was given three parameters.

The function `rootcode` is now called to create the Cintpos resident structures. At this moment the base of the global vector is at `@globsize` (=Global 0), all its elements are filled with words of the form `globword+n` (`=#8F8F0000+n`), except for `globsize` which holds the upper bound of the global vector, `sys` which holds the entry point of the `sys` function, `rootnode` which points to the rootnode, and `currco` and `colist` which both point to the newly created coroutine stack. The other globals are now initialised by two calls of `sys(Sys_globin, ...)`.

Cintpos has two vectors `tasktab` and `devtab` that provide access to all Cintpos tasks and devices. These are allocated and cleared, and pointers to them are placed in the rootnode.

The resident Cintpos devices are now created. These have device identifiers `-1`, `-2` and `-3` corresponding to the clock, the keyboard and the screen. Most Cintsys devices are implemented using separate threads of the underlying operating system. Such devices have device control blocks (DCBs) held their entries in `devtab`. A DCB has fields used for communication between its device thread and the interpreter. One of these is the work queue of packets sent by client tasks but not yet processed by the device. It has been found that interaction with some device threads is too slow to be satisfactory and so have been replaced by an implementation based on polling by the interpreter. This currently applies to the clock and screen devices. As far as the user is concerned, these devices still have the same identifiers and still work as before but are faster. An entry in `devtab` points to a DCB. Devices not using the polling mechanism use threads of the host operating system, other devices are handled entirely by the interpreter thread. The only resident devices currently using a separate threads are the keyboard and TCP devices. Device threads are created using the kernel function `createdev` defined in `sysb/klib.b`, and the C code for the resident device threads can be found in `sysc/devices.c`.

The Cintcode abstract machine can receive interrupts. The mechanism is as follows. If a device wishes to interrupt the interpreter it sets the variable `irq` to `TRUE`, and just before the interpreter starts to execute an instruction, if the Cintpos `ST` register is zero (indicating that interrupts are enabled), it saves the current Cintpos registers and enters the interrupt service routine using the register set in `isrregs`. The interrupt service routine has its own stack but shares the same global vector as the Cintpos kernel.

It always starts execution at the start of the function `irqrtn` with `Cintcode` register `ST` set to 3 to indicate that an interrupt is being serviced. The interrupt service routine may return control to the interrupted task or it may enter the scheduler if another task deserves to gain control.

Before creating the resident tasks, `startroot` initialises a few more rootnode fields. These are `rtn_tcblist` and `rtn_crntask` both set to zero since there are currently no `Cintpos` tasks, `rtn_blklist` set to the start of the memory block list used by `getvec` and `freevec`, `rtn_clkintson` set to `FALSE` to globally disable interrupts, `rtn_clwkq` set to zero representing an empty list of packets for the clock device, and `rtn_info` set to a cleared table of 50 elements.

The resident tasks are now created using suitable calls of `createtask`. Each time `createtask` is called it allocates a task control block (TCB) giving it the next available task identifier and updating the appropriate entry in `tasktab` to point to it. Such tasks are initially given a state of `#b1100` indicating that they are DEAD, not HELD and have no packets in the work queue. The first task to be created is a special one called Idle whose body is in `cin/syscin/idle` and although `createtask` will have chosen identifier one for it, this must be replaced by zero and its entry in `tasktab` removed. It is given a startup packet and an initial state of `#b1101` indicating it is DEAD, not HELD but has a packet and so can be given control by the scheduler when it is run.

Six more resident tasks are now created, all have state `#b1100`. They are the root command language interpreter that initially waits for commands from the keyboard, and interactive debugging task, the console handler providing communication between the keyboard and tasks, the file handler providing access to disk files, the mailbox handler that provides a mechanism that lets tasks send and receive short messages via named mailboxes and the TCP handler providing TCP/IP communication.

Just after `Cintpos` starts up the `status` command will output the following.

```
Task  1: Root_Cli           running CLI           Loaded command: status
Task  2: Debug_Task        waiting DEBUG
Task  3: Console_Handler   waiting COHAND
Task  4: File_Handler      waiting FHO
Task  5: MBX_Handler       waiting MBXHAND
Task  6: TCP_Handler       waiting TCPHAND
```

Once the kernel structure and all the resident tasks have been set up, the system can be started by entering the scheduler which is a function called `srchwk` defined in `sysb/klib.b`. It takes one argument which is a pointer to the highest priority TCB that could possibly run. It searches through the chain of TCBs that are linked in decreasing priority order looking at only the status field of each. This field is sufficient to tell whether the corresponding task can run or not. It has 4 bits `IWHP`. The `I` bit is a 1 if the task has been interrupted in which case its `Cintcode` registers will be packed elsewhere in the TCB. The `W` bit is a 1 if the task is suspended in `taskwait` waiting for a packet to arrive from another task or a device. The `H` bit is 1 if the task is in HOLD state indicating that it cannot run even if it otherwise would be ready to do so, and the `P` bit is a 1 if the task's work queue is not empty. A task cannot be both interrupted and waiting for a packet and the setting of both the `I` and `W` bits have a special meaning, namely that the task is in DEAD state having no runtime stack



or global vector. There are thus 16 possible states a task can have of which only six indicate that it is runnable, they are as follows.

**#b0000**

This task is runnable but has no packet on its work queue. It is either the current task or it gave up control voluntarily by for instance sending a packet to a higher priority task. When it next gains control it will immediately return from the function that caused it to give up control.

**#b0001**

This is just like the case above except there is a packet on its work queue.

**#b0101**

This indicates that the task is waiting for a packet and that one has arrived. It is thus runnable and when given control the first packet on its work queue will be dequeued and returned as the result of the `taskwait` call that caused its suspension.

**#b1000**

This indicates the task is in interrupted state with an empty work queue. It is thus runnable and when given control it will resume execution using the Cintcode register values save in the TCB when it was interrupted.

**#b1001**

This indicates the task is in interrupted state with a non empty work queue. It is thus runnable and when given control it will resume execution using the Cintcode register values save in the TCB when it was interrupted.

**#b1101**

This is a task in DEAD state (with no stack or global vector) but it now has a startup packet on its work queue. It is thus runnable and when given control will be initialised with a new stack and global vector and its main function `start` in global variable 1 will be called with the startup packet as its first argument. This packet will have been dequeued.

## 4.3 Commands

This section describes the Command Language Interpreter commands whose source code can be found in either `cintcode/com` or `cintpos/com`. The `rdargs` argument format string for each command is given.

**abort** NUMBER

CIN:y, POS:y, NAT:y

The command: `abort n` calls the BLIB function `abort` with argument `n`. If `n` is zero, this causes a successful return from the BCPL system. If `n` is non zero, the interactive debugger is entered with fault code `n`. The default value for `n` is 99. The interactive debugger is described in section 7.

**adjclock** OFFSET

CIN:y, POS:y, NAT:y

The syntax of the **OFFSET** argument is `[-][h][:m]`, that is: an optional minus sign, followed by an optional number of hours, possibly followed by `:m` to specify a number of minutes. The offset is converted into a signed integer representing the number of minutes to be added to the time of day as supplied by the system. If **adjclock** is not given an argument, it just outputs the current offset.

**alarm** AT/A,MESSAGE

CIN:n, POS:y, NAT:n

This command is only available under **Cintpos**. Its first parameter has the format: `[+][[hours:]minutes:]seconds`. If `+` is present the time is relative to now. The command suspends itself until the specified time, then outputs the time followed by the message. Typical usage is as follows:

```
run alarm +3:30 "You time is up!"
```

After three and a half minute a message such as the following will appear.

```
*** Alarm: time is 15:13:14 - You time is up!
```

**append** FROM,TO/K

CIN:y, POS:y, NAT:y

This command appends the **FROM** file on to the end of the **TO** file. If the **TO** file does not initially exist, an empty one is created.

**bcpl** FROM/A,TO/K,VER/K,SIZE/K/N,TREE/S,NONAMES/S,

D1/S,D2/S,OENDER/S,EQCASES/S,BIN/S,XREF/S,GDEFS/S,HDRS/K,

GB2312/S,UTF8/S,SAVESIZE/K/N,HARD/S,T32/S,T64/S,

OPT/K

CIN:y, POS:y, NAT:y

This invokes the BCPL compiler. The **FROM** argument specified the name of the file to be compiled. If the **TO** argument is given, the compiler generates code to the specified file. Without the **TO** argument the compiler will output the **OCODE** intermediate form to the file `ocode` as a compiler debugging aid. This file can be converted to a more readable form using the **procode** command, described below. The **VER** argument redirects the standard output to a named file. The **SIZE** argument specified the size of the compiler's work space. The default is 100,000 words. The **NONAMES** switch causes the compiler not include section and function names in the compiled code. The switches **D1** and **D2** control compiler debugging output. **D1** causes a readable form of the compiled **Cintcode** to be output. **D2** causes a detailed trace of the internal working of the codegenerator to be output. **D1** and **D2** together causes a slightly more detailed trace of the internal working of the codegenerator. **OENDER** causes code to be generated for a machine with the opposite endianness of the machine on which the compiler is running. **EQCASES** causes all identifiers to be converted to uppercase during compilation. This allows very old BCPL programs to be compiled. **BIN** causes the target **Cintcode** to be in binary rather than the ASCII encoded hexadecimal normally used. The **XREF** option

causes a line to be output by the compiler for each non local identifier occurring in the program. A typical such line is as follows:

```
all G:201 LG queens.b[9] all&~(ld|col|rd)
```

It shows that the variable `all` was declared as global variable 201 and its was loaded in the compilation of statements on line 9 of the program `queens.b` and the context of its use was: `all&~(ld|col|rd)`. These lines can be filtered and sorted to form a cross reference listing of a program. See, for instance, the file `BCPL/cintcode/xrefdata` or `Cintpos/cintpos/xrefdata`. If both `VER` and `XREF` are specified the xref data is appended to the verification stream. This allows the xref data generated by several separate compilations to be concatenated. The resulting file can be filtered and sorted by the `sortxref` command. Typical usage is as follows:

```
delete -f rawxref
c compall "ver rawxref xref"
sort rawxref to xrefdata
delete rawxref
```

The `GDEFS` switch is a debugging aid to output the global numbers of any global function defined in the program. For example:

```
bcpl gdefs com/bench100.b to junk
```

generates the following output:

```
BCPL (3 July 2007)
G 1 = start
G259 = trace
G260 = schedule
G261 = qpkt
G262 = wait
G263 = holdself
G264 = release
G270 = idlefn
G271 = workfn
G272 = handlerfn
G273 = devfn
Code size = 1436 bytes
```

The `UTF8` and `GB2312` options specify the default encoding for extended characters in string and character constants. This default can be overridden in individual constants using the `*#u` and `*#g` escape sequences, as described on page 16.

The `SAVESIZE` option allows the user to specify the number of words in the argument stack used to hold function return information. The default value is three making room for the old `P` pointer, the return address and the entry point of the current function. When compiling into native code using the `Sial` mechanism, the save space size may be different, since, for instance, some or all of this information may be stored in the hardware (`SP`) stack.

The `HARD` options causes both syntax and translation phase errors to call `abort(100)`. This is useful in commands such as: `c compall hard` allowing each error in a long sequence of compilations to be inspected separately.

The arguments `T32` and `T64` specify whether the target architecture is for 32 or 64 bit BCPL.

The argument `OPT` gives a list of conditional compilation option names consisting of letters, digits, underline and dot, separated by plus signs or any other characters not allowed in option names. These options are declared at the start of compilation of every BCPL section.

```
bcpl2sial FROM/A,TO/K,VER/K,SIZE/K/N,TREE/S,NONAMES/S,
D1/S,D2/S,OENDER/S,EQCASES/S,BIN/S,XREF/S,GDEFS/S,HDRS/K,
GB2312/S,UTF8/S,SAVESIZE/K/N,HARD/S,T32/S,T64/S,
OPT/K                                CIN:y, POS:y, NAT:y
```

This command compiles a BCPL program into the internal assembly language `Sial` which is designed as a low level intermediate target code for BCPL and is described in Section 10.1. The command `sial-sasm`, described below, can be used to convert `Sial` into a human readable form and various commands, such as `sial-386`, `sial-alpha` and `sial-arm` will convert `Sial` to assembly language for corresponding architectures. The `bcpl2sial` command uses the same front end as `bcpl` and so takes the same arguments as the `bcpl` command.

```
bcplxref FROM/A,TO/K,PAT/K                                CIN:y, POS:y, NAT:y
```

This command outputs a cross reference listing of the program given by the `FROM` argument. This consists of a list of all identifiers used in the program each having a list of line numbers where the identifier was used and a letter indicating how the identifier was declared. The letters have the following meanings:

V	Local variable
P	Function or Routine
L	Label
G	Global
M	Manifest
S	Static
F	FOR loop variable

The `TO` argument can be used to redirect the output to a file, and the `PAT` argument supplies a pattern to restrict which names are to be cross referenced. Within a pattern an asterisk will match any sequence of characters, so the pattern `a*b*` will match identifiers such as `ab`, `axxbor axbyy`. Upper and lower case letters are equated. This command has largely been superceded by the `xref` option in the `bcpl` command and the related `sortxref` command.

```
bench100                                CIN:y, POS:y, NAT:y
```

This is a simple benchmark program used to test the efficiency of systems implementation languages.

**bgpm** FROM, TO/K, UPB/K CIN:y, POS:y, NAT:y

This is an implementation of Christopher Strachey's GPM macrogenerator. It takes input from the FROM file if specified, otherwise it reads from the standard input stream. The TO argument specifies the file to receive the macrogenerated result, otherwise this is sent to the standard output stream. The UPB argument specifies the amount of memory that **bgpm** may use.

A macro call is enclosed in square brackets ([ and ]) and contains arguments separated by backslash characters (\). The arguments are macro expanded as they are read in. To avoid macro expansion text can be enclosed within nested quotation marks ({ and }). On reaching the close square bracket at the end of a macro call, the zeroth argument is looked up in the environment of defined macros and macrogeneration continues from the beginning of its value. When the end of this value is reached the expansion of the call is complete and macrogeneration continues from just after the closing square bracket. While a macro call is being expanded, a parameter of the form  $\wedge n$  is replaced by a copy of the  $n^{\text{th}}$  argument of the current call. The number  $n$  is given as a sequence of decimal digits. The character '' introduces a comment consisting of all remaining character of the current line followed by all white space characters including newlines up to but not including the next non white space character. The following macros are predefined.

[def\name\value]

This causes a macro with the given name and value to be declared.

[set\name\value]

This updates a named macro with a new value which may be truncated if necessary.

[eval\expression]

This evaluate the given integer expression consisting of numbers and the numeric operators \*, /, %, + and -. Parentheses may be used for grouping and spaces may appear anywhere except within numbers.

[lquote]

[rquote]

These macros expand to the quotation marks { and } respectively.

[eof]

This macro generates the end of file symbol and can be used to terminate input from the standard input stream.

A simple definition and call is the following.

```
[def\xxx\{arg0 is ^0, arg1 is ^1 and arg2 is ^2}]
[xxx\yyy\zzz]
```

This would generate:

```
arg0 is xxx, arg1 is yyy and arg2 is zzz
```

For an extremely obscure example see: BCPL/cintcode/perm.bgpm.

**bin-hex** FROM/A,TO/K

CIN:y, POS:y, NAT:y

This outputs the bytes of the FROM in hex. For instance, if the file **xxx** was

```
ABCDEFGH
12345678
```

Then the command **bin-hex xxx** would generate

```
41 42 43 44 45 46 47 48 0A 31 32 33 34 35 36 37
38 0A
```

Unless TO is specified output is sent to the terminal..

**bin-x8** FROM/A,TO/K

CIN:y, POS:y, NAT:y

This outputs the words of the FROM in hex. For instance, if the file **xxx** was

```
ABCDEFGH
12345678
```

Then the command **bin-x8 xxx** would generate

```
44434241 48474645 3332310A 37363534 00000A38
```

The default TO file name is JUNK.

**bmake** TARGET, FROM/K, TO/K, -m/S, -l/S, -p/S, -r/S, -s/S, -c/S, -d/S

CIN:y, POS:y, NAT:n

This command provides an approximation the **make** command found in other systems. It uses a makefile (normally **bmakefile**) to generate a CLI sequence of commands to bring a specified target up to date. The makefile is expanded using the BGPM macro-generator and parsed to form a set of pattern rules and explicit rules. Each rule has a target, an optional set of items on which the target depends and a possibly empty CLI command sequence to execute if the target need to be brought up to date.

Pattern rules generate explicit rules when needed. They contain parameters of the form *<tag>*. Within a pattern all tags must be the same and must be declared in the target of the rule.

The optional first argument (**TARGET**) is normally a file name and specifies the target to make. If no target is specified, the target of the first rule is used. The optional **FROM** argument specified the makefile name. The default makefile is **bmakefile**. The optional **TO** argument specifies where the output is to be sent.

The **-m** argument causes **bmake** to output the makefile file after macrogeneration. The **-l** argument outputs the makefile as a sequence of lexical tokens. The **-p** argument outputs the set of rule patterns. The arguments **-r** and **-s** output the explicit rules before and after the application of the rule patterns, respectively. The **-c** output the sequence of commands required to bring the target up to date. The **-d** argument generates a debugging trace of the execution of **bmake**.

The BGPM macrogenerator is described elsewhere, but the version use in **bmake** uses the following special characters:

%		Comment - skip all characters until a non white space character on a later input line.
[		Start of a new macro call.
!		Argument separator in macro calls.
#		Argument item prefix.
]		End of macro argument list.
{		Open quote character.
}		Close quote character.

A typical macro definition and call is as follows:

```
[def!xxx!{This output results from the call {[xxx!}#1{[]}}]
[xxx!yyy]
```

This would generate:

```
This output results from the call [xxx!yyy]
```

The syntax of `bmake` rules is as follows:

```
target-item <= item ... item << command-sequence >>
```

Every rule must have a target item and a body consisting of a possibly empty command sequence enclosed in << and >> brackets. The command-sequence is an arbitrary sequence of characters not containing >>. The item list may be empty and, if so, the symbol <= may be omitted. White space including newlines are allowed anywhere between items.

Pattern rules contain parameter of the form <*tag*> as in:

```
cin/<f> <= com/<f>.b g/hdr.h << c bc <f> >>
```

Such rules are only used when there is no explicit rule for a given target. When a rule pattern is applied all occurrences of its parameter are replaced by the text that allowed the target item to match the required target. So if `cin/echo` must be brought up to date and has no explicit rule, the above pattern will automatically add the following explicit rule to the set:

```
cin/echo <= com/echo.b g/hdr.h << c bc echo >>
```

A target is out of date if it does not exist or if any of the items it depends on are out of date or have a modify dates later than that of the target. A target is brought up to date by, first, bringing the items it depends on up to date and then executing the CLI command sequence given by the body.

Items may consist of any sequence of characters not including %, [, !, ], {, }, =, or white space, and < and > may only appear in parameters.

In normal use, `bmake` generates a command-command file to bring the target up to date and then returns to the CLI to cause this file to be executed. The `-c` option allows the command-command file to be inspected without execution.

**bounce** CIN:n, POS:y, NAT:n

This command is part of the bounce demonstration that is only available under Cintpos. It is normally invoked by the command: `run bounce` which creates a new CLI task and then enters the bounce program whose main loop is:

```
qpkt(taskwait()) REPEAT
```

which repeatedly suspends the task until a packet is received then immediately returns it to the sender. Packets are normally sent to the bounce task using the `send` command, described below.

**break TASK/A,A/S,B/S,C/S,D/S,E/S,ALL/S** CIN:n, POS:y, NAT:n

This Cintpos command is used to break the normal execution of a specified task. The first argument gives the task number and the remaining arguments specify which flags to set. If no flags are specified flag B is set. If ALL is specified all the flags from A to E are set.

**c command-file arguments** CIN:y, POS:y, NAT:y

The `c` command allows a file of commands to be executed as though they had just been typed in. The argument *command-file* gives the name of the file containing the command sequence. It first looks in the current directory then the directories specified by the scripts environment variable whose name is in the `rtn_scriptsvar` field of the rootnode, and finally, if that fails, it looks in the directory specified by the root environment variable whose name is in the `rtn_rootsvar` field of the rootnode.

Unless explicitly changed, the characters '=', '<', '>', '\$' and '.' have special meanings within a command command. A dot '.' at the start of a line starts a directive which can specify the command command's argument format, or replace one of the special character with an alternative. There are six possible directives as follows:

.KEY or .K	<i>str</i>	Argument format string.
.DEFAULT or .DEF	<i>key value</i>	Give <i>key</i> a default value, optionally, = is allowed between the <i>key</i> and <i>value</i> .
.BRA	<i>ch</i>	Use <i>ch</i> instead of <
.KET	<i>ch</i>	Use <i>ch</i> instead of >
.DOLLAR	<i>ch</i>	Use <i>ch</i> instead of \$
.DOT	<i>ch</i>	Use <i>ch</i> instead of .

All directives must occur at the start of the command file. The `.KEY` directive specifies a format string of the form used by `rdargs` (see page 58) that describes what arguments can follow the command file name. The `.DEFAULT` directive specifies the default value that a specified key should have if the corresponding argument was omitted. The remaining directives allow the special characters to be changed.

The command sequence occurs after all the directives and may contain items of the form `<key$value>` or `<key>` where *key* is one of the keys in the format string and *value* is a default value. Such items are textually replaced by its corresponding argument or a default value. If `$value` is present, this overrides (for this item only) any default that might have been given by a `.DEFAULT` directive.



**casech** FROM/A,TO/A,DICTIONARY/K,U/S,L/S,A/S CIN:y, POS:y, NAT:y

This command systematically converts all reserved words of a BCPL program to upper case and changing all identifiers to upper case (U), lower case (L, or in the form given by a specified dictionary (DICTIONARY)). The A switch causes all letters including those in strings to be converted to upper case.

**changepr** TASK/N/A,PRI=PRIORITY/N CIN:n, POS:y, NAT:n

This Cintpos command changes the priority of the specified task to a specified value. If two arguments are given the first identifies the task and the second the new priority. If only one argument is given it is treated as the new priority of the current task. A Cintpos priority can be any positive integer but there is the restriction that no two tasks can have the same priority.

**checksum** FROM/A,TO/K CIN:y, POS:y, NAT:y

This command calculates a check sum for the file specified by the FROM argument, sending the result to the file specified by the TO argument.

**cmptest** CIN:y, POS:y, NAT:y

This is a test program that checks for errors in the BCPL compiler and Cintcode interpreter.

**cobench** CIN:y, POS:y, NAT:y

This is a benchmark program to test the efficiency of coroutines.

**cobounce** CIN:y, POS:y, NAT:y

This is a simple coroutine benchmark that bounces a message between two coroutines.

**compare** FILE1/A,FILE2/A,TO/K,OPT/K CIN:y, POS:y, NAT:y

This command compares two files outputting a description of how they differ to the TO file if specified, or to standard output if not. The OPT string consists of items of the form Wn, Mn and Rn, separated by spaces or commas. Each n is a number greater than zero. Wn means truncate all input lines to no more than n characters. Mn search for up to n mismatching lines. Rn means that n lines must match before synchronisation is restored after a mismatch.

**cosim** -n/n,-s/n,-p/n,-r/n,-t/s CIN:y, POS:y, NAT:y

This is a demonstration program showing how to write a discrete event simulator using coroutines, and it is also be used as a benchmark. Its arguments can set the variables n, s, p and r that configure the test, and the -t switch turns on run time tracing to check that the simulator is behaving correctly. For a full description and listing of this program see Section 3.7.3.

**dat** CIN:y, POS:y, NAT:y

This commands output the current date and time to the TO file, if specified, other-

wise it is sent to the standard output stream. The `MSECS` options causes the time to have higher precision. Typical output is as follows:

```
Monday 23-Apr-2010 14:04:12
Monday 23-Apr-2010 14:04:14.392
```

**date** *TO/K* CIN:y, POS:y, NAT:y

This commands output the current date to the `TO` file, if specified, otherwise it is sent to the standard output stream. Typical output is as follows:

```
Monday 23-Apr-2010
```

**delete** *, , , , , , , , -f/S* CIN:y, POS:y, NAT:y

This command will delete up to ten given files. If the `-f` argument is given, no error message is generated if any file to be deleted does not exist.

**detab** *FROM/A, TO/K, SEP/K* CIN:y, POS:y, NAT:y

This command copies the file give by the `FROM` argument to the file given by the `TO` argument replacing all tab characters by spaces. The tabs are separated by a distance specified by the `SEP` argument. The default is 8.

**dumpmem** *ON/S, OFF/S* CIN:y, POS:y, NAT:y

The `ON` switch causes Cintsys or Cintpos to dump the entire Cintcode memory in a compacted form when a fault is encountered. Without the `ON` switch this command dumps the Cintcode memory immediately. Such memory dumps are sent to the file `DUMP.mem` for later inspection by commands such as `sysdebug`, `dumpsys`, `posdebug` and `dumppos`.

**dumppos** *FROM, TO/K* CIN:y, POS:y, NAT:y

This outputs a readable form of a Cintpos memory dump specified by the `FROM` argument. If `FROM` is not given it uses the file `DUMP.mem`. The output is sent to the `TO` file if given, otherwise it goes to standard output.

**dumpsys** *FROM, TO/K* CIN:y, POS:y, NAT:y

This outputs a readable form of a Cintsys memory dump specified by the `FROM` argument. If `FROM` is not given it uses the file `DUMP.mem`. The output is sent to the `TO` file if given, otherwise it goes to standard output.

**echo** *TEXT, TO/K, APPEND/S, N/S* CIN:y, POS:y, NAT:y

This command outputs its first argument `TEXT`, if given. The text will be followed by a newline unless the switch `N` is set. If the `TO` argument is given, text is sent to the specified file othwise it goes to the standard output stream. The `APPEND` switch causes the output to be appended to the `TO` stream, after creating and empty file if necessary.

**edit** *FROM/A, TO, WITH/K, VER/K, OPT/K* CIN:y, POS:y, NAT:y

This command is meant to provide a simple line editor. It used to run on the Tripos Portable Operating System but has not yet been modified to run on this version of the system.

**endcli** CIN:n, POS:y, NAT:n  
 This Cintpos command causes a CLI task to commit suicide.

**enlarge** /A,TO/K CIN:y, POS:y, NAT:y  
 This command output a large version of its first argument either to file or to standard output. For instance: **enlarge** Hello will generate the following:

```
##      ## ##### ##      ##      #####
##      ## ##### ##      ##      #####
##      ## ##      ##      ##      ##
##### ##### ##      ##      ##
##      ## ##      ##      ##      ##
##      ## ##      ##      ##      ##
##      ## ##### ##### ##### #####
##      ## ##### ##### ##### #####
```

**fact** CIN:y, POS:y, NAT:y  
 This is a simple example program used in the console session demonstration presented on page 7.

**fail** RC/N,REASON/N CIN:y, POS:y, NAT:y  
 This command returns to the CLI with the specified return code and second result. The default return code is 10 and the default second result is zero. Unlike the **quit** command described below, it does not cause the current command-command to terminate.

**failat** FAILLEVEL/N CIN:y, POS:y, NAT:y  
 This sets the CLI fail level to its argument if given, otherwise it output the current setting. The CLI only issues a warning message if a command yields a return code greater than or equal to the fail level value.

**getlogname** NAME CIN:y, POS:y, NAT:y  
 This command outputs the value of a given logical variable name. If none is given it lists the names and values of all logical variables. The list of logical name value pairs is held in the root node element `rtn_envlist`.

**harness** CIN:n, POS:y, NAT:n  
 This is Cintpos command whose purpose test a system by generating a sequences of timed events specified by a script.

**help** ,,,,,,,,,, #HELDIR/K, #TO/K, #TRACE/S CIN:y, POS:y, NAT:y  
 This command is meant to provide a help facility but has not yet been transferred to Cintsys or Cintpos.

**hex-bin** FROM/A, TO/K CIN:y, POS:y, NAT:y  
 This is the inverse of the **bin-hex** command. It reads pairs hex digit outputting the corresponding 8-bit bytes.

**hexdump** FROM/A,N,P,RL/K,RLB/K,TO/K CIN:y, POS:y, NAT:y

This program dumps a file specified by FROM in a combination of hex and character forms. If either RL or RLB is given the file is treated as a sequence of records. RL gives the record length in BCPL words and RLB gives it in bytes. The P and N give the number of the first record to dump and N specifies how many to dump. If neither RL nor RLB is given P gives the number of the first byte to dump and N gives the number of bytes to dump. If the file bc is

```
#!/home/mr/distribution/BCPL/cintcode/cintsys -s
.k file/a,arg
echo "bcpl com/<file>.b to cin/<file> hdrs BCPLHDRS <arg>"
bcpl com/<file>.b to cin/<file> hdrs BCPLHDRS <arg>
```

then the command: `hexdump bc 64` would generate the following:

Dump of bc from 0 to 63

```
0/    0: 682F2123 2F656D6F 642F726D 72747369  #!/h ome/ mr/d istr
16/   4: 74756269 2F6E6F69 4C504342 6E69632F  ibut ion/ BCPL /cin
32/   8: 646F6374 69632F65 7973746E 732D2073  tcod e/ci ntsy s -s
48/  12: 206B2E0A 656C6966 612C612F 650A6772  ..k file /a,a rg.e
```

**hold** TASK/N/A CIN:n, POS:y, NAT:n

This is only available under Cintpos. It causes the specified task to be put into HOLD state to stop it being available to run. Its inverse is `unhold` described below.

**idvec** ADDRESS/A CIN:n, POS:y, NAT:n

This Cintpos command attempts to identify the vector at a given address. Two example call are given below:

```
0.000 1> idvec 23522
Stack of task 4
0.000 1> idvec 15994
Code section of task 5: MBXHAND
0.000 1>
```

**if** ,NOT/S,WARN/S,ERROR/S,FAIL/S,EQ/K,VAREQ/K,EXISTS/K: CIN:y, POS:y, NAT:y

This command normally ends with a semicolon and the remainder of the line is conditionally executed by the CLI depending on whether the `if` condition is satisfied. The return code and second result of the previous CLI command are held in the globals `cli_returncode` and `cli_result2`. If one of `WARN`, `ERROR` or `FAIL` was given, the `if` command tests whether the previous command's return code greater or equal to `warn(=5)`, `error(=10)` or `fail(=20)`. If the `EQ` argument was given, it tests whether the return code is the same as the first argument. If `VAREQ` is given, it specifies a logical variable name and the value of this variable is compared with the first argument. The `EXISTS` argument is a file name whose existence is tested. The `NOT` switch complements the condition.

**input** TO/A,TERM/K CIN:y, POS:y, NAT:y

This command will copy text from the current input sending it to the file specified by the AS argument. The input is terminated by a line starting with /\* or the value of the TERM argument if given.

**interpreter** FAST/S,SLOW/S| CIN:y, POS:y, NAT:y

This command allows the user to select the fast (`cintasm`) or the slow (`cinterp`) version of the interpreter. If no arguments are given the fast one is selected. It is implemented using `sys(Sys_quit,-1)` or `sys(Sys_quit,-2)` as described on page 71.

**join** ,,,,,,,,,,,,,,AS/A/K,CHARS/S CIN:y, POS:y, NAT:y

This command will concatenate several files sending the result to the file specified by the AS argument. If the CHARS switch is given the files are treated as text files, otherwise they are copied in binary.

**lab** LABEL/A CIN:y, POS:y, NAT:y

This command has no effect. Its sole purpose is to be the destination of `skip` commands.

**library** FROM, OVERRIDE/S, CANCEL/K, LIST/S, -g/S, TO/K CIN:n, POS:y, NAT:n

This rather dangerous command allows the user to add or delete sections of resident system code. If the FROM argument is given the specified file is loaded and its sections added to the end of the chain of BLIB sections pointed to by the root node field `rtn_blib`. If OVERRIDE is given the newly loaded sections are allowed to replace previous ones with the same section names, otherwise all newly loaded sections must have names distinct from those already in the BLIB chain. The CANCEL argument specifies the name of a section to remove from the BLIB chain. The LIST switch argument causes a list of the section names in the BLIB chain to be output. The argument `-g` causes a list of all the global functions defined in the BLIB chain to be output including the names of the sections they are in. The TO argument specifies the name of a file where the output is to be sent. It is often useful to sort this file using `sortlines`. Normally the `library` command is only used during the initialisation of special purpose versions of Cintsys or Cintpos, or when one wishes to see which functions are defined in BLIB.

**logout** CIN:y, POS:y, NAT:y

This command causes an exit from the BCPL Cintcode System, typically returning to an operating system shell.

**makeinit** ,,,,,,,,,,,,,,TO/A/K,STKSIZE/K,GLOBSIZE/K CIN:y, POS:y, NAT:y

This command is used by the native code version of BCPL to generate a C program used to initialise a native code compilation of BCPL program. It takes a list of BCPL source files and writes to the TO file a C program that will perform the necessary runtime initialisation of them. This program also sets the runtime stack size and global vector size to 50000 and 1000, respectively, unless overridden by the STKSIZE and GLOBSIZE arguments. The resulting C program should be compiled and linked with the native code compilations of the BCPL files and various library modules. For more information look

in the directory `BCPL/natbcpl` of the standard BCPL distribution. An example of the use of `makeinit` is given on page 184

**map** BLOCKS/S, NAMES/S, CODE/S, MAPSTORE/S, TO/K, PIC/S      CIN:y, POS:y, NAT:y

This command outputs the Cintcode memory in a form that depends on the arguments given. The output goes to the screen unless a filename is given using the `TO` keyword. `BLOCKS` outputs a list of all blocks whether allocated or free in the block chain used by `getvec`. `CODE` outputs a list of all code sections currently in memory. `MAPSTORE` output the code sections and function entry points currently in memory, and `PIC` outputs a picture of what memory is currently allocated.

**mbxcli** MBXNAME      CIN:n, POS:y, NAT:n

This command creates a new CLI task taking input from the specified mailbox, typically `MBX:name`. If no argument is specified the default mailbox `MBX:commands` is used. Any task can write command lines to a mailbox in a first come first served manner and any CLI created by `mbxcli` can read and perform them, similarly in a first come first served manner. If a mailbox CLI performs the `endcli` command it commits suicide.

**mbxrx** -n/N, -d/N, -b/K      CIN:n, POS:y, NAT:n

This command is designed to test the mailbox system under Cintpos. It will read a number of mailbox lines specified by the `-n` argument. Each line read is written to the standard output stream. It then delays for a number of milli-seconds specified by the `-d` argument before reading the next mailbox line. The mailbox is specified by the `-b` argument with the default being `MBX:junk`.

**mbxtx** -n/N, -d/N, -b/K      CIN:n, POS:y, NAT:n

This command is designed to test the mailbox system under Cintpos. It will write a number of lines specified by the `-n` argument to a mailbox. Each line sent is written to the standard output stream. It then delays for a number of milli-seconds specified by the `-d` argument before sending the next mailbox line. The mailbox is specified by the `-b` argument with the default being `MBX:junk`.

**mcpl**      CIN:y, POS:y, NAT:y

This command compiles an MCPL program into Mintcode. See the MCPL distribution for more details.

**mcpl2mial**      CIN:y, POS:y, NAT:y

This command compiles an MCPL program into MIAL.

**mial-386.b**      CIN:y, POS:y, NAT:y

This translates the MIAL form of an MCPL program into Pentium assembly language.

**mial-masm** CIN:y, POS:y, NAT:y

This translates the MIAL form of an MCPL program into a mnemonic form.

**mkdata** NAME,SIZE/N CIN:y, POS:y, NAT:y

This creates a file with given name and size. The default name is `junk` and the default size is  $4096*3+10$  bytes. Byte  $i$  of the created file is  $i \text{ MOD } 256$  except every 64th character is a newline and the first 6 characters of every line hold a decimal number giving the position of the first character of that line.

**mkjunk** NAME,SIZE/N CIN:y, POS:y, NAT:y

This creates a file as described in the `mkdata` command and then tests random access to this file by overwriting some of its bytes.

**newcli** CIN:n, POS:y, NAT:n

This Cintpos command creates a new CLI task.

**nlconv** FILE,TOUNIX/S,TODOS/S,Q/S CIN:y, POS:y, NAT:y

This command replaces the specified file with one in which line endings have been replaced by those appropriate for the destination system which is specified by the switches `TOUNIX` (the default) or Windows systems (`TODOS`). The `Q` argument quietens the command.

**origbcpl** CIN:y, POS:y, NAT:y

This is an old version of the BCPL compiler dated 13 August 2001 sometimes used for benchmarking purposes.

**playback** FROM/A, WAIT/S, NOTIME/S CIN:y, POS:y, NAT:y

This plays back a console session recording made using the `record` command.

**playfast** FROM, TO/K CIN:y, POS:y, NAT:y

This copies a specified recording file (created by the `record` command) to the specified output enclosing timing bytes in square brackets.

**playtime** FROM/A CIN:y, POS:y, NAT:y

This outputs how long a specified recording (created by the `record` command) will take to playback.

**posdebug** FROM CIN:y, POS:y, NAT:y

This is an interactive debugger that allows the user to inspect a given Cintpos memory dump file. The default file name is `DUMP.mem`. See `dumpmem` described above.

**prefix** PREFIX, UNSET/S CIN:y, POS:y, NAT:y

This command is primarily for systems that do not have the concept of a current working directory. If the first argument is given, it becomes the current prefix string. If `UNSET` is specified, the prefix string is unset, and if no argument is given the current prefix is output. This command is implemented using `sys(Sys_setprefix, prefix)` and `sys(Sys_getprefix)` described on page 73. See also Section 3.3.2.

**preload** , , , , , , , , , , CIN:y, POS:y, NAT:y

This command will preload up to 10 commands into the Cintcode memory. Without arguments, it outputs the list of all preloaded commands and their sizes. Preloading improves the efficiency of command execution and is also useful in conjunction with the **stats** command, see below. Preloaded commands can be removed using the **unpreload** command.

**prmcode** CIN:y, POS:y, NAT:y

This command converts an MCODE (intermediate code for MCPL) file specified by FROM to a more readable form. If FROM is missing it reads from the file MCODE. If the TO argument is missing it send the result to the screen. The file MCODE is a byproduct of the **mcpl** command, see **mcpl** above.

**procode** FROM, TO/K CIN:y, POS:y, NAT:y

This command converts an OCODE (intermediate code for BCPL) file specified by FROM to a more readable form. If FROM is missing it reads from the file OCODE. If the TO argument is missing it send the result to the screen.

**prompt** PROMPT, P0/S, P1/S, P3/S, P4/S, NO/S CIN:y, POS:y, NAT:y

If the NO switch is given prompts are disabled, otherwise they will be enabled. Under Cintpos, disabling prompts is useful, for instance, if a CLI task is taking input from a TCP/IP connection where the source of the commands is another program. The PROMPT argument is optional, but if present will be the new prompt format string. The switch parameters P0 to P4 select commonly used prompt formats. The CLI generates prompts using a call of the following form.

```
writef(prompt, cpumsecs, taskno, hours, mins, secs, msec)
```

where *prompt* is the prompt format string, *cpumsecs* is the time in milliseconds used by the previous command, *taskno* is the current task number under Cintpos and zero otherwise. The arguments *hours*, *mins*, *secs* and *msecs* represent the current time of day. The default prompt format under Cintpos is: "%+%n> " and under the other systems is: "%5.3d> ". An example of how it might be used is as follows.

```
0>
0> prompt "%+%z2:%z2:%z2 %-%-%-%-%5.3d> "
15:11:52 0.000>
15:11:55 0.000> bench100

bench mark starting, Count=1000000

starting

finished
qpkt count = 2326410 holdcount = 930563
these results are correct
end of run
15:12:14 10.690>
```

This shows that **bench100** finished execution 14 seconds after 3:12pm after running for 10.690 seconds.



**quit** RC/N,REASON/N CIN:y, POS:y, NAT:y

This causes a CLI command-command to terminate returning a completion code of zero unless overridden by the RC argument. If REASON is given it is placed in **result2**. This is command differs from **fail** since it terminates the execution of a complete command-command while **fail** allows a command-command to continue run.

**rast2ps** FROM,SCALE,TO/K,ML,MH,MG,FL,FH,FG,  
DPI/K,INCL/K,A4/S,A3/S,A2/S,A1/S,A0/S CIN:y, POS:y, NAT:y

This commands converts a raster data file (written using the **raster** command described above) into a postscript file suitable for printing. There are parameters to control the region to convert, the output paper size and other parameters. It is also possible to possible to include anotations in the resulting picture.

The FROM parameter specifies the name of the raster data file. RASTER is the default. SCALE specifies a magnification as a percentage. The default is 80. The TO parameter specifies the name of the postscript file to be generated. RASTER.ps is the default. The parameters ML and MH specify the low and high limits of the address space to be processed. MG specifies the separation of the grid line on the memory axis. The defaults are ML=0 MH=300100 and MG=100000. The units are in bytes. The parameters FL and FH specify the low and high limits of the instruction count axis to be processed. FG specifies the separation of the grid line on the memory axis. The defaults are FL=0 FH=20000000 and FG=1000000. DPI specified the approximate number of dots per inch used by the output device. The default is 300. An specified the output page size. The default is A4. The INCL parameter specifies the name of a file to be copied into the postscript file. The default is **psincl**. This file allows annotations to be made in the picture. The file **cintcode/psincl** was used to annotate the memory time graph shown in Figure 4.2. This file contains lines such as:

```
F2 setfont
(SYN) 1.1 35 2 PDL
(TRN) 8.1 30 1.7 PUL
(CG) 15.3 36 2.1 PUR
(GET Stream) 0.45 270 1.7 PUL
...
(OCODE Buffer) 13.9 245 2 PDR
% 8.5 150 MVT (HELLO WORLD) SC
F3 setfont
(Self Compilation of the Cintcode BCPL Compiler) TITLE
```

The postscript macros PDL, PUL, PUR and PDR draw arrows with specified labels, byte address, instruction count and arrow lengths. The arrow directions are respectively: down left, Up left, up right and down right. The macro MVT moves to the specified position in the graph and SC draws a string centered at that position. The TITLE macro draws the graph title and F2 and F3 are fonts suitable for the labels and title. The resulting postscript file can, of course, be further edited by hand.

**rast2wav** FROM,TO/K,B/N,S/N,A/N,D/N,T/S CIN:y, POS:y, NAT:y

This commands converts a bit stream file generated by the **raster** command to a .wav sound file. FROM and TO specify the source and destination files. B specified the bit

rate in bits per second. *S* specifies the *.wav* sample rate which should be 11025, 22050 or 44100. *A* and *D* control the signal filtering and *T* turns on tracing as a debugging aid.

**raster** COUNT/*N*,SCALE/*N*,TO/*K*,SOUND/*S*,HELP/*S*                   CIN:*y*, POS:*y*, NAT:*y*

This command controls the collection of rastering information but only works when the BCPL Cintcode system is running under the rastering interpreter *rasterp*. The implementation uses *sys(Sys.setraster,...)* calls that are described on page 73. If *raster* is called without the *SOUND* or *CLOSE* options it activates the rastering mechanism. Once rastering is activated information will be written to a raster data file for the duration of the next CLI command. The format of this file is also outlined on page 73.

The *COUNT* argument allows the user to specify how many Cintcode instructions to obey for each raster line. The default is 1000. The *SCALE* argument gives the raster line granularity in bytes per pixel. The default being 12. The *TO* argument specifies the name of the raster data file to be written. The default file name is *RASTER*.

If *raster* is called with with the *CLOSE* option it closes the raster data file. The raster data file can be processed and converted to Postscript using the *rast2ps* command described below. Typical use of the *raster* command is following script:

```
raster count 1000 scale 12 to RASTER
bcpl com/bcpl.b to junk
raster close
rast2ps fh 18000000 mh 301000
```

This will create the Postscript file *RASTER.ps* for the BCPL compiler compiling itself, similar to that shown in Figure 4.2.

If *raster* is called with the *SOUND* option it generate a bit stream file corresponding to the fifth bit of every accessed Cintcode address until the raster file is closed. This file can be converted to a *.wav* sound file using the *rast2wav* command.

**record** TO,*OFF*/*S*   CIN:*n*, POS:*y*, NAT:*n*

This Cintpos command start sending a recording including timing information of the current console sessions to the specified file. The recording is stopped by the command *record off*. See commands *playback*, *playfast*, and *playtime*.

**rename** FROM/*A*,TO=*AS*/*A*/*K*   CIN:*y*, POS:*y*, NAT:*y*

This will rename the file given by *FROM* to that specified by the *AS* argument.

**repeat**   CIN:*y*, POS:*y*, NAT:*y*

This attempt to reposition CLI input to the start of the current command line thereby causing it to be executed again. For example:

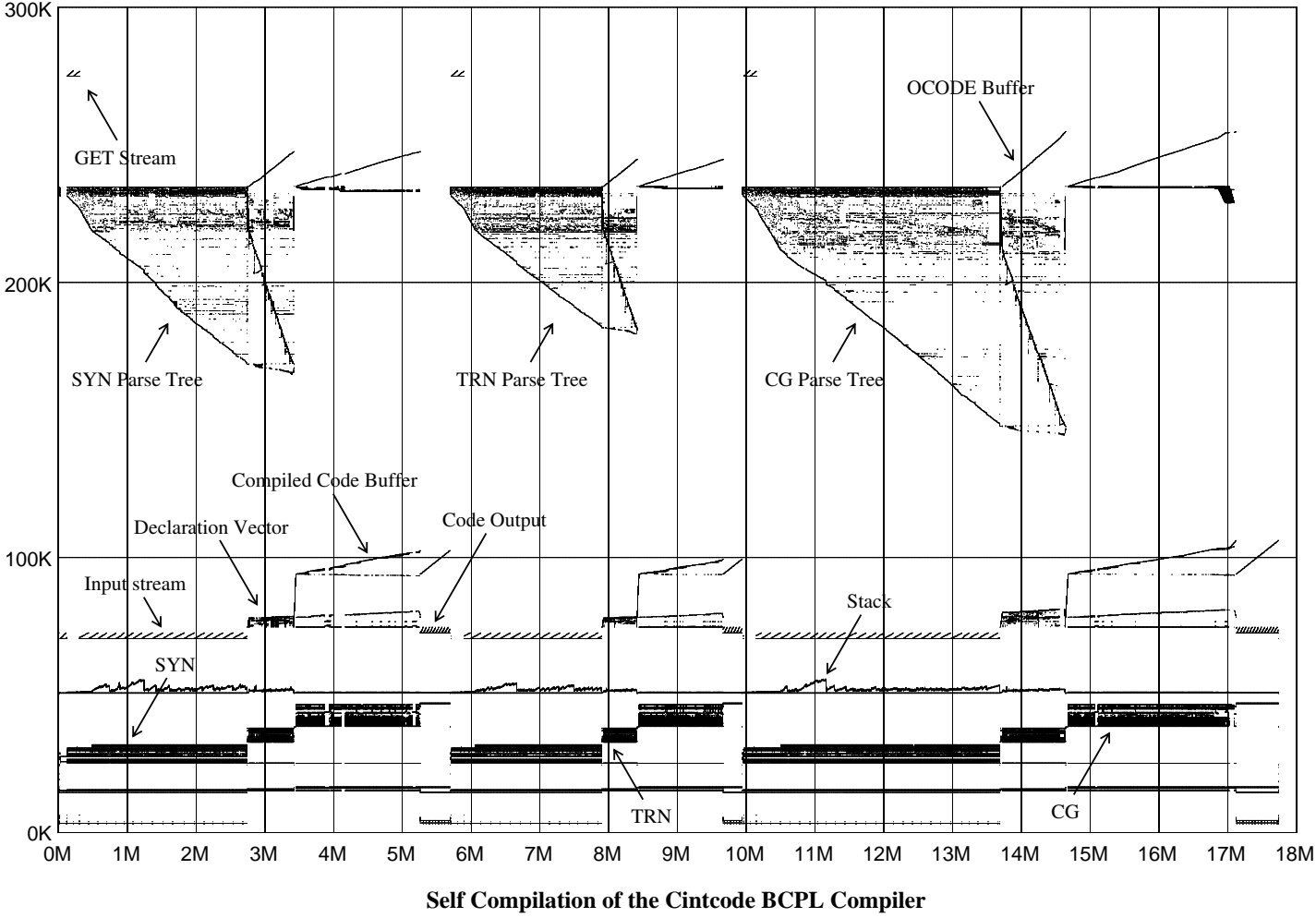
```
wait 3; echo hello; repeat
```

will output *hello* to the screen every 3 seconds until interrupted by the *D* flag (set by *@d*).

**run *command-line***   CIN:*y*, POS:*y*, NAT:*y*

This command creates a new CLI task giving it *command-line* to execute. On complete this new CLI task commits suicide.

Figure 4.2: Self compilation memory-time graph



**send** TASK/N,COUNT/N CIN:n, POS:y, NAT:n

This is part of the Cintpos bounce demonstration. It repeatedly sends a packet to the specified task the specified number of times. The default task number is 7 and the default count is 1000000. It can be used to measure the efficiency of inter-task communication.

**setflags** TASK,A/S,B/S,C/S,D/S,E/S,QUIET/S CIN:n, POS:y, NAT:n

This Cintpos command sets the specified flags in the task control block of the given task. Unless QUIET is given it outputs the previous setting of the flags.

**setlogname** NAME,VALUE CIN:y, POS:y, NAT:y

This command sets or possibly displays Cintsys or Cintpos logical variables. These must not be confused with shell environments variables described in Section 3.6. Cintsys and Cintpos logical variables are held in a linked list held in the rootnode element `rtn_envlist`. If both NAME and VALUE are given, the given logical variable name is given the specified value, but if no value is given the specified variable is unset. If **setlogname** is called without arguments, the names and values of all logical variables are output. A running program can lookup and set logical variables using the functions `getlogname` and `setlogname`.

**setroot** ROOT,PATH,HDRS,SCRIPTS CIN:y, POS:y, NAT:y

If no arguments are given it just outputs the current settings of the four environment variable names. Otherwise, the specified variables are given new names.

**shellcom** COMMAND/A CIN:y, POS:y, NAT:y

This command causes its argument to be processed by the command language interpreter shell of the underlying operating system (typically Linux or Windows). It does not return until the shell has completed processing the command.

**sial-arm** FROM,TO/K CIN:y, POS:y, NAT:y

This command converts the Sial intermediate code generated by `bcpl2sial` to the equivalent assembly language for machines using the ARM processor.

**sial-386** FROM,TO/K CIN:y, POS:y, NAT:y

This command converts the Sial intermediate code generated by `bcpl2sial` to the equivalent assembly language for i386 machines such as Pentiums.

**sial-alpha** CIN:y, POS:y, NAT:y

This command converts the Sial intermediate code generated by `bcpl2sial` to the equivalent assembly language for DEC Alpha machines.

**sial-sasm** CIN:y, POS:y, NAT:y

This command converts the Sial intermediate code generated by `bcpl2sial` into a human readable form.

**sial-vax** CIN:y, POS:y, NAT:y

This command converts the Sial intermediate code generated by `bcpl2sial` to the equivalent assembly language for VAX machines.

**skip LABEL**

CIN:y, POS:y, NAT:y

The command **skip label** skips through the command stream until a line starting with **lab label** is encountered. It then skips until the end of that line before resuming normal command execution from there. The **skip** command is only allowed within command-commands.

**sortlines FROM/A,TO/K**

CIN:y, POS:y, NAT:y

This command sorts the lines specified by the **FROM** file sending the result to the **TO** file, removing duplicate lines. Output is sent to the screen if the **TO** parameter is not given. This can be used to sort the data generated by the command: **library -g to junk**.

**sortxref FROM/A,TO/K,FNS/S**

CIN:y, POS:y, NAT:y

This command sorts the lines specified by the **FROM** file sending the result to the **TO** file, removing duplicate lines. Output is sent to the screen if the **TO** parameter is not given. Only lines containing **G:**, **M:**, **F:** or **S:** are included, and if **FNS** is specified, only lines also containing **FN** or **RT** are included. This is useful when processing cross reference data generated by the BCPL compiler when the **XREF** parameter is specified. A typical cross reference listing can be found in **cintcode/xrefdata**.

**stack SIZE**

CIN:y, POS:y, NAT:y

The command **stack n** causes the size of the coroutine stack allocated for subsequent commands to be *n* words long. Without an argument it outputs the current setting.

**stats TO/K,PROFILE/S,ANALYSIS/S**

CIN:y, POS:y, NAT:y

This command controls the tallying facility which counts the execution of individual Cintcode instructions. If no arguments are given, **stats** turns on tallying by clearing the tally vector and causing tallying to be enabled for the next command to be executed. Subsequent commands are not tallied, making it possible to process the tally vector while it is in a static state. Typical usage of the **stats** command is illustrated below:

<b>preload queens</b>	Preload the program to study
<b>stats</b>	Enable stats gathering on next command
<b>queens</b>	Execute the command to study
<b>interpreter</b>	Select the fast interpreter ( <b>cintasm</b> ) <b>stats</b> automatically selects the slow one
<b>stats to STATS</b>	Send instruction frequencies to file or
<b>stats profile to PROFILE</b>	Send detailed profile info to file or
<b>stats analysis to ANALYSIS</b>	Generate statistical analysis to file

**status TASK,FULL/S,TCB/S,SEGS/S,CLI=ALL/S**

CIN:n, POS:y, NAT:n

This Cintpos command outputs information about all currently existing Cintpos tasks.

- syncdemo** CIN:n, POS:y, NAT:n  
 This is a program to demonstrate various synchronisation mechanisms implemented using coroutines and multi-event tasks.
- sysdebug FROM** CIN:y, POS:y, NAT:y  
 This is an interactive debugger that allows the user to inspect a given Cintsys memory dump file. The default file name is `DUMP.mem`. See `dumpmem` described above.
- system** CIN:y, POS:y, NAT:y  
 This command outputs a message indicating whether the current system is Cintsys, Cintpos or Unknown. It determines which by inspecting the rootnode field `rtn_system`.
- taskid FORMAT** CIN:n, POS:y, NAT:n  
 This command calls `writeln` with the given format and the current task number as the second argument. The default format is `"Taskid=%n*n"`.
- tcpaddr HOST,PORT** CIN:n, POS:y, NAT:n  
 This attempts to output the IP address and port number given the names of the host and port.
- tcpbench -n/K, -k/K, -s/K, -h/K, -t/S, master/s, slave/s** CIN:n, POS:y, NAT:n  
 This is a benchmark program to test the efficiency of TCP/IP communication. For information about what it does and how to use it, see the comments at the start of the source code.
- tcpcli PORT, NOPROMPT/S** CIN:n, POS:y, NAT:n  
 This command creates a new CLI task communicating through the given port. The default port number is 8000. If `NOPROMPT` is specified the newly created CLI will not issue prompts.
- tcpdump** CIN:n, POS:y, NAT:n  
 This outputs the list of Cintpos TCP/IP devices that currently exist. The list includes information about sockets, states and associated hosts and port numbers.
- tcprx HOST,PORT** CIN:n, POS:y, NAT:n  
 This is a TCP/IP demonstration program to be used in conjunction with `tcptx`. It will output data received from a specified host via a specified port. If no host is specified wait for a connection from any host. The default port number is 9000.
- tcptest -n/K, -k/K, -s/K, -h/K, -t/S** CIN:n, POS:y, NAT:n  
 This is a TCP/IP test program. See its source code for details.
- tcptx HOST,PORT,N** CIN:n, POS:y, NAT:n  
 This is a TCP/IP test program to be used in conjunction with `tcprx`. It attempts to send the message `hello world` to a specified host via a specified port. The number of times the message is sent is given by the `N` argument.

**testtime** CIN:y, POS:y, NAT:y

This command tests the real time clock, outputting a line such as:  
**days=14876 hours=11 mins=59 secs=11 msecs=982**

**time** TO/K,MSECS/S CIN:y, POS:y, NAT:y

This command outputs the current time of day to the TO file, if specified, otherwise it is sent to the standard output stream. The MSECS options causes the time to have higher precision. Typical output is as follows:

14:12:36.069

**type** FROM/A,TO,N/S CIN:y, POS:y, NAT:y

This command will output the file given by the FROM argument, sending it to the screen unless the TO argument is given. The switch argument N causes line numbers to be added.

**typehex** FROM/A,TO/K CIN:y, POS:y, NAT:y

This will convert the file specified by FROM in hexadecimal and send the result to the TO file if this argument is given. Its output should be compared with that generated by the **hexdump** command.

**unhold** TASK/N/A CIN:n, POS:y, NAT:n

This Cintpos command resets the HOLD status bit of a specified task. That task is then immediately available to run unless suspended of other reasons.

**unpreload** , , , , , , , , , ALL/S CIN:y, POS:y, NAT:y

This command will remove up to 10 specified preloaded commands from the Cintcode memory. The ALL switch will cause all preloaded commands to be removed. Commands can be preloaded into memory using the **preload** which can also be used to list all preloaded commands.

**vecstats** CIN:y, POS:y, NAT:y

This command output information about blocks of Cintcode memory that are currently allocated. Typical output (from Cintpos) is the following:

```

    3: 12    4:  2    6:  1   15:  2   22:  1   23:  7
   27:  4   28:  1   41:  1   80:  1  200:  2  291:  1
  306:  2  316:  1  406:  1  462:  1  500:  1  506:  3
  571:  1  597:  1  757:  1  982:  1 1000: 10 1006:  6
 1025:  2 1901:  1 2422:  1 3303:  1 20000:  1
```

This indicates, for instance, that there are currently 7 blocks of requested size 23 allocated.

**wait** N/N,SEC=SECS/S,MIN=MINS/S,UNTIL/K CIN:y, POS:y, NAT:y

This causes the CLI to wait for a specified number of seconds or minutes, or until a specified time is reached.

**why**

CIN:y, POS:y, NAT:y

This command attempts to give the reason why the previous command failed. For fun you can type **why** several times.

**x8-bin FROM/A,TO/K**

CIN:y, POS:y, NAT:y

This converts a file of 32-bit words in hex into a file of the corresponding bytes. For instance, it will convert the file:

```
44434241 48474645 4C4B4A49 504F4E4D 54535251 58575655 310A5A59 35343332
39383736 00000A30
```

to

```
ABCDEFGHIJKLMNPOQRSTUVWXYZ
1234567890
```

**xcmptest**

CIN:y, POS:y, NAT:y

This is a test program that checks for errors in the XBCPL compiler and extended features in the Cintcode interpreter.

**xcdecode FROM/A,LIST/S,BIN/S**

CIN:y, POS:y, NAT:y

This command is the inverse of **xcencode**. With the **LIST** option it will inspect the **FROM** file listing the names of the files it contains. Without the **LIST** option it will extract and decode these files. If **BIN** is set, files are written using **binwrch** so that carriage return characters (**'\*c'**) are not ignored. All characters before the first file separator are ignored.

**xcencode FILE,LIST/K,TO/K/A,BIN/S**

CIN:y, POS:y, NAT:y

This command is designed to encode one or more files in such a way that they can be passed as the body of an email message without interfering with the email mechanism. It uses a simple form of run length encoding to reduce the size of the resulting file. Either **FILE** or **LIST** or both must be supplied. If given **FILE** is the first filename to be encoded followed by those given in **LIST** file, if present. If **BIN** is set, files are read using **binrdch** so that carriage return characters (**'\*c'**) are not ignored. Each encoded file is preceded by a separator of the form:

```
#####filename#
```

followed by the encoded file in which all characters with ASCII codes in the range 33 to 126 except for **'#'**, **'='** and **'.'** are copied, spaces are replaced by dots (**'.'**) and all other characters (including **'#'**, **'='** and **'.'**) are encoded by **#hh** where **hh** is the ASCII code in hex. The encoded files are broken into lines of about 50 characters. The last file to be encoded is terminated by **#####+**.

Such xencode'd files can be decoded by the **xcdecode** command.



## 4.4 cli.b and cli\_init.b

The Command Language Interpreter is a simple program implemented in BCPL whose source code can be found in the files `sysb/cli.b` and `sysb/cli_init.b`. This section mainly describes the Cintpos version. The CLI is the first program the interacts with after starting the system. Under Cintpos it runs as task one (named `Root_Cli`). It uses variables in the global vector to hold its state during command execution. These variables have reserved global numbers typically in the range 133 to 149. They are declared in `g/clihdr.b`. Since running commands use the same global vector they can access (and even modify) these variables – a feature that is both dangerous and useful. Commands such as `run` and `c` rely on this feature. The CLI global variables are as follows.

**cli\_init** CIN:y, POS:y, NAT:y

This holds the function used to initialise the CLI, and depends on which context the CLI is to run in. It is called when the CLI is first entered using the following code.

```
{ LET f = cli_init(parm.pkt)
  IF f DO f(result2) // Must get result2 after calling cli_init
}
```

As can be seen `cli_init` must either return zero or a function that can be applied to `result2`. The function is typically `deletetask` or `unloadseg` with `result2` being suitably set.

**cli\_returncode, cli\_result2** CIN:y, POS:y, NAT:y

These hold the return code and the value of `result2` of the most recently executed command.

**cli\_faillevel** CIN:y, POS:y, NAT:y

**cli\_data** CIN:y, POS:y, NAT:y

This holds CLI data dependant on the context in which the CLI is running.

**cli\_commanddir** CIN:y, POS:y, NAT:y

**cli\_prompt** CIN:y, POS:y, NAT:y

This variable holds the current prompt which should be a `writeln` format string since it is used in the CLI as follows:

```
writeln(cli_prompt,
        cpumsecs, // msecs used by last command
        taskid,  // The task number, if running under Cintpos
        hours, mins, secs, msecs) // The time of day
```

where `hours`, `mins` and `secs` correspond to the current time of day. On single threaded BCPL systems `taskid` is set to 1.

**cli\_currentinput, cli\_currentoutput, cli\_standardinput, cli\_standardoutput** CIN:y, POS:y, NAT:y

The standard input and output streams are those that were setup when the CLI was started. Sometimes a CLI will change its currently selected streams. For instance, while executing a command-command the currently selected input will be from a temporary file of commands. On reaching the end of file input will revert to the standard input.

**cli\_commandfile** CIN:y, POS:y, NAT:y

This is either zero or holds the name of temporary command file used in command-commands.

**cli\_status** CIN:y, POS:y, NAT:y

This holds a collection of bits specifying the context in which the CLI is running. The mnemonics for these bits and their meanings are as follows.

clibit_noprompt	Do not output prompts even when not in a command-command.
clibit_eofdel	Delete this task when EOF is received under Cintpos.
clibit_comcom	This CLI is currently in a command-command executing commands from a temporary file.
clibit_maincli	This CLI is the task 1 CLI under Cintpos or the main CLI under other systems.
clibit_newcli	This CLI was created by the <code>newcli</code> command under Cintpos.
clibit_runcli	This CLI was created by the <code>run</code> command under Cintpos.
clibit_mbxcli	This CLI was created by the <code>mbxcli</code> command under Cintpos.
clibit_tcpcli	This CLI was created by the <code>tcpcli</code> command under Cintpos.
clibit_endcli	The <code>endcli</code> command has been executed on this CLI under Cintpos.

**cli\_background** CIN:y, POS:y, NAT:y

This is an obsolete variable that mainly controlled the generation of prompts. It is to be superceded by the `noprompt` bit in `cli_status`.

**cli\_defaultstack** CIN:y, POS:y, NAT:y

This holds the size of the coroutine stack that the CLI creates every time it runs a command. Its value can be changed by the `stack` command.

**cli\_commandname** CIN:y, POS:y, NAT:y

This holds the name of the current command

**cli\_module** CIN:y, POS:y, NAT:y

This is either zero or the module of loaded code corresponding to the currently executing command. It is used by the CLI to unload commands after they have been run.

# Chapter 5

## Console Input and Output

When `cintsys` or `cintpos` is started a stream is opened to receive input from standard input which is normally the keyboard and a second stream is opened to allow output to standard output which is normally the screen. This combination of keyboard and screen is called the console. The treatment of console streams depends on whether `cintsys` or `cintpos` is being used.

### 5.1 Cintsys console streams

The stream control block for the keyboard is obtained by calling `findinput("**")`. The stream is created the first time it is called. Subsequent calls yield exactly the same stream control block. This stream has a buffer large enough to hold 4096 characters. Characters are read from the keyboard using `sardch` which reads and echoes each character to the screen. Exceptionally, `ctrl-c` (code 3) causes a `SIGINT` interrupt, `RUBOUT` (code 127) is translated to backspace (code 8), `ctrl-j`, `ctrl-m` and the `ENTER` (or `RETURN`) key all yield code 10 (the BCPL newline character) but they all echo carriage return and linefeed to the screen.

Simple line editing of keyboard input is performed as follows. As characters are typed they are normally transferred into the buffer, but if a backspace is received, the latest character, if any, in the buffer is removed and its echoed symbol removed from the screen. The contents of the buffer is not made available to the user until either a newline character is received or the buffer becomes full.

A user can receive keyboard characters as soon as they are typed using calls of `sardch`. It is also possible to read keyboard characters by polling them using the call `sys(Sys_pollsardch)`. This yields the next character if one is available, otherwise it returns `pollingch=-3`, allowing the program to do other work before trying again.

The program `BCPL/bcplprogs/test/inputtst.b` can be used to demonstrate some of the features of console input.

The stream control block for the screen is obtained by calling `findoutput("**")`. The stream is created the first time it is called. Subsequent calls yield exactly the same stream control block. This stream has a buffer large enough to hold 4096 characters. Calls of `wrch` places characters in this buffer, and when a newline or newpage character

is written, or when the buffer becomes full, or a call of `deplete` is made, the contents of the buffer is transmitted to the screen by calls of `sawrch`.

## 5.2 Cintpos console streams

Under Cintpos interaction with the console is somewhat more complicated since Cintpos can have several tasks all wishing to communicate with the keyboard and screen. This interaction is controlled by a task called the Console Handler (typically task 3). Tasks wishing to read from the keyboard or write to the screen must send request packets to this task where they will be properly scheduled.

The call `findinput("**")` yields a new stream control block connected to the keyboard. Initially it has no buffer. When the client task tries to read from this stream, a read request packet is sent to the console handler which will in due course return with a buffer of one or more characters or an indication that the keyboard stream is exhausted. Keyboard read requests can be sent simultaneously from several tasks and, indeed, a single task can send multiple requests. These are queued in the console handler and processed on a first come first served basis.

The console handler obtains characters from the keyboard by sending `ttyin` request packets to the keyboard device (typically device `-2`). This device returns keyboard characters to the console handler as they are typed without echoing them to the screen. It does no translation except that the characters `ctrl-j`, `ctrl-m` and the ENTER key all yield code 10 (the BCPL newline character). Keyboard characters received by the console handler are normally packed into an input buffer to form input lines. Simple line editing is performed using the backspace key (code 8 or 127) which causes the most recent character in the line buffer to be removed. When a newline is received or the buffer is full or the escape sequence `@e` is typed, the line buffer is ready to send to the currently selected task. Initially this is task 1 (the main CLI task) but can be changed by the user using the escape mechanism described below. While a user is typing an input line, it will appear on the screen and other screen output requests will be held until the input line is complete. At any time if there is a completed input line for a task that has sent a read request packet, it will be returned to the client with the line buffer and number of characters in its two result fields. Lines that have not yet been requested are queued as are read requests that are not yet satisfied. Note that a simple way to temporarily stop output to the screen is to type a character such as SPACE, and then delete it later using backspace.

Cintpos console input has the following escape mechanism. All escape sequence start with an at sign (`@`) and their effects are shown in the following table.

Sequence	Purpose
@A	Set flag 1 in the currently selected task
@B	Set flag 2 in the currently selected task
@C	Set flag 3 in the currently selected task
@D	Set flag 4 in the currently selected task
@E	Send the current incomplete line to the currently selected task
@F	Throw away the current incomplete line and all outstanding completed lines
@H	Hold the currently selected task
@L	Throw away the current incomplete line
@S <i>dd</i>	Set the currently selected task to task <i>dd</i> and allow output from any task
@T <i>dd</i>	Set the currently selected task to task <i>dd</i> and only allow output from task <i>dd</i>
@U	Unhold the currently selected task
@X <i>hh</i>	Input the character with hex code <i>hh</i>
@Y	Toggle message tagging. When tagging is enabled every line of output identifies the originating task
@Z	Toggle echo mode. When echoing is off subsequent characters are not echoed to the screen. This is useful for typing passwords.
@ <i>ddd</i>	Input the character with octal code <i>ddd</i>
@@	Input @

### 5.2.1 Devices

The input and output device identifiers may be inspected and changed by the following call:

```
old_in_devid := sendpkt(notinuse, console_task, Action_devices,
                        ?, ?,
                        new_in_devid,
                        new_out_devid)
old_out_devid := result2
```

The device identifiers are only changed if the new identifiers are non zero. This call is used, for instance, by the `record` command to change replace the screen output device with a task that forwards each character to the screen while recording timing information. For details, see the programs `com/record.b` and `com/recordtask.b`

### 5.2.2 Exclusive Input

The console handler can be set to exclusive input mode by the call:

```
sendpkt(notinuse, console_task, Action_exclusiveinput,
        ?, ?,
        TRUE)
```

While in `exclusiveinput` mode normal input line editing by the console handler is suspended and client tasks have direct access to the keyboard input device on a first come first served basis by the call:

```
ch := sendpkt(notinuse, console_task, Action_exclusiverdch,
              ?, ?)
```

Sending an `exclusiveinput` request with argument `FALSE` returns the console handler to its normal line editing mode and causes all outstanding `exclusiverdch` requests to return end-of-file characters (-1) to their client tasks.

### 5.2.3 Direct access to the screen and keyboard

Although it is not recommended, client task can send read (`Action_ttyin`) and write (`Action_ttyout`) requests to keyboard and screen devices. These will be serviced in a first come first served basis and since the console handler is making such requests you can expect strange results.

Finally the functions `sardch` and `sawrch` provide direct access to the keyboard and screen but are mainly only used for system debugging particularly when the console handler is not running. Note that `sawrch` is the character output function used by `sawritef` whose output may be merged with output from the console handler.

The following test programs can be used to demonstate some of the console handlers features.

```
Cintpos/posprogs/test/inputtst.b
Cintpos/posprogs/test/sardchtst.b
Cintpos/posprogs/test/devrdchtst.b
Cintpos/posprogs/test/xintst.b
```

# Chapter 6

## Cintpos Devices

Cintpos allows asynchronous communication with peripheral devices using the `qpkt` and `taskwait` functions. If the `pkt_id` field of packet given to `qpkt` is negative, the packet is sent to the identified device. It is returned when the device has completed the requested operation. Most devices have device control blocks (DCBs) that contain device related data. There is a device table pointed to by `rootnode!rtn_devtab` whose upper bound is held in its zeroth element. The  $n^{th}$  element of the device table is zero if the device does not exist, otherwise it points to the DCB of device  $-n$ . Most devices are implemented using threads of the host operating system, but some devices such as the clock and screen are special and use a polling mechanism implemented entirely within the interpreter thread. The extra overhead for this is small since the interpreter only performs the polling operation about once every 10000 or so Cintcode instructions. This figure is typically adjusted to cause polling to take place about once per millisecond. When Cintpos has no work to do it should enter the Idle task and stop executing Cintcode instructions so that other programs can run. For the polling mechanism to work, such suspensions must be short. This is normally implemented using the `waitirq sys` function with a short timeout. Each time `waitirq` returns, a counter in the interpreter is set to zero to cause the polling mechanism to be activated.

The resident Cintpos devices are described below.

### 6.0.4 The Clock Device

This device has identifier `-1` and is treated specially by both `qpkt` and the interpreter. The `pkt_arg1` field of its packet holds the number of milliseconds that the packet should remain with the clock before being returned. The time stamp of when it should be returned is calculated by `qpkt` and placed in the `pkt_res1` and `pkt_res2` fields of the packet. It is then inserted into the time ordered clock queue held in `rootnode!rtn_clwkq`. Every time the interpreter performs the polling operation it tests the packets at the start of the clock queue returning though that have expired to their task.

### 6.0.5 The Keyboard Device

This device has identifier -2 and is currently not treated specially, and so it has a DCB, and a device thread that is continually trying to read character from standard input which is normally the keyboard. Packets for this device are placed on the end of the work queue held in the `dcb.wkq` field of the DCB. When a character becomes available it is placed in the `pkt_res1` field of the first packet in the queue before returning the packet to its task.

It is planned to modify keyboard packets to allow them to handle timeouts. This will be done by setting the `pkt_arg1` field to a timeout value. If it is negative no timeout is used and the packet will remain with the device until a character is received, otherwise it specifies a timeout in milliseconds. If no character is received within that time, `pollingch` (=-2) is returned in the `res1` field, but if a character becomes available within that time it is returned in the normal way.

### 6.0.6 The Screen Device

This device has identifier -3 and is treated specially. The `pkt_arg1` field of the packet holds the next character to send to the screen and when this transfer is complete the packet is returned to the client task. Normally output to the screen causes no real time delay.

### 6.0.7 TCP/IP Devices

TCP/IP devices provide a mechanism to communicate with other machines over the internet. The `pkt_type` field specified the TCP/IP operation required and the argument field provide additional information about the request. The possible packet type are as follows.

**Tcp\_name2ipaddr** *arg1: name*

This looks up the URL *name* and returns its IP address. Names such as `127.0.0.1` are allowed.

**Tcp\_name2port** *arg1: name*

This looks up the the given port name and returns its its number.

**Tcp\_socket**

This attempts to create a port for a two way byte stream using the IPv4 protocol. If the result is -1 there was an error, otherwise it returns the number of the new socket.

**Tcp\_reuseaddr** *arg1: sock arg2: flag*

If *flag*=1 this modifies the socket *sock* to allow reuse of local addresses, otherwise these are disallowed. A result of zero indicates success.

**Tcp\_sndbufsz** *arg1: sock arg2: size*

This sets the send buffer size of the given socket to *size* bytes. A zero result indicates success.



**Tcp\_rcvbufsz** arg1: *sock* arg2: *sz*

This sets the receive buffer size of the given socket to *size* bytes. A zero result indicates success.

**Tcp\_bind** arg1: *sock* arg2: *ipaddr* arg3: *port*

This assigns local host and port numbers to the specified socket. A zero result indicates success.

**Tcp\_connect** arg1: *sock* arg2: *ipaddr* arg3: *port* arg4: *timeout*

This attempts to establish a connection to a remote host via the given socket within the given timeout. If *timeout* is greater than zero it specifies a timeout time in milliseconds, if it is zero there is no timeout and if it is -1 polling will be used but this is not yet implemented. The result is zero if a connection was established, otherwise it is negative and the second result indicates why the connection was not established. A value greater than zero indicates an error, the value -1 the connection was closed by the remote host, -2 indicates that the connection was not established within the timeout period, and -3 indicates that when polling the connection has not yet been established.

**Tcp\_listen** arg1: *sock* arg2: *n*

This causes the specified socket to be willing to accept incoming calls from remote hosts. The queue limit for incoming connections is specified by *n*. A zero result indicates success.

**Tcp\_accept** arg1: *sock* arg2: *tcp*, arg4: *timeout*

BEWARE: the implementation does not yet quite match the following specification. This attempts to accept a connection from a remote host via a listening socket within a specified timeout period. If *timeout* is greater than zero it is the timeout period in milliseconds, if it is zero there is no timeout and if it is negative the packet is returned immediately having accepted a connection if possible. A positive result indicates success and is the number of a new socket to be used by the connection. A negative result indicates failure with a reason in the second result. A second result of -1 indicates the connection was closed by the remote host, -2 means a connection was not accepted within the timeout period, and -3 indicates that there is currently no connection to accept when polling.

**Tcp\_recv** arg1: *sock* arg2: *buf* arg3: *len* arg4: *timeout*

This attempts to read up to *len* bytes into the given buffer from the specified socket within a specified timeout period. If *timeout* is greater than zero it is the timeout period in milliseconds, if it is zero there is no timeout and if it is negative the packet is returned immediately with as many characters as are currently available. A negative result indicates failure with a reason given in the second result, otherwise it is the number of bytes actually read.

**Tcp\_send** arg1: *sock* arg2: *buf* arg3: *len* arg4: *timeout*

This attempts to send *len* bytes from the given buffer via the specified socket within

a specified timeout period. If *timeout* is greater than zero it is the timeout period in milli-seconds, if it is zero there is no timeout and if it is negative the packet is returned immediately having written as many bytes as are currently possible. A negative result indicates failure with a reason given in the second result, otherwise it is the number of bytes actually sent.

**Tcp\_close** *arg1: sock*

This closes the specified socket. A zero result indicates success.

# Chapter 7

## The Debugger

Both Cintsys and Cintpos have interactive debuggers but these are slightly different and so will be described separately.

### 7.1 The Cintsys Debugger

When the Cintsys starts up, control first passes to `BOOT` which initialises the system and creates a running environment for the command language interpreter (`CLI`). This is run by a recursive invocation of the interpreter and so when faults occur control returns to `BOOT` which then enters an interactive debugger. This allows the user to inspect the state of the registers and memory, and perform other debugging operations on the faulted program. The debugger can also be entered using the `abort` command, as follows:

```
560> abort
!! ABORT 99: User requested
*
```

The asterisk (\*) is the debugger's prompt character. A brief description of the available debug commands can be display using the `query (?)` command.

```

* ?
?      Print list of debug commands
Gn Pn Rn Vn      Variables
G P R V          Pointers
n #b101 #o377 #x7FF 'c      Constants
*e /e %e +e -e |e &e ^e    Dyadic operators
!e              Subscription
< >            Shift left/right one place
SGn SPn SRn SVn      Store in variable
=              Print current value
Tn            Print n consecutive locations
$c            Set print style C, D, F, B, O, S, U or X
LL LH        Set Low and High store limits
I            Print current instruction
N            Print next instruction
Q            Quit
B OBn eBn    List, Unset or Set breakpoints
C            Continue execution
X            Equivalent to G4B9C
Z            Equivalent to P1B9C
\            Execute one instruction
,            Move down one stack frame
.            Move to current coroutine
;            Move to parent coroutine
[            Move to first coroutine
]            Move to next coroutine
*

```

The debugger has a current value that can be loaded, modified and displayed. For example:

```

* 12                Set the current value to 12
* -2                Subtract 2
* *3                Multiply by 3
* =                 30          Display the current value
* <                 Shift left one place
* =                 60          Display the current value
* 12 -2 *3 < =     60          Do it all on one line
*

```

Four areas of memory, namely: the global vector, the current stack frame, the Cint-code register, and 10 scratch variables are easily accessed using the letters G, P, R, V, respectively.

```

* 10sv1 11sv2          Put 10 and 11 in variables 1 and 2
* vt5                  Display the first 5 variables

V 0:          0          10          11          0          0
*
* v1*50+v2=      511          A calculation using variables
* g0=          1000          Display global zero (globsize)
* g=          3615          Display the address of global zero
* ! =          1000          Indirect and display
* gt10          Display the first 10 globals

G 0:          1000          start          stop          sys          clihook
G 5:          GLOB 5          changec          6081          6081          52
*

```

Notice that values that appear to be entry points display the first 7 characters of the function's name. Other display styles can be specified by the commands \$C, \$D, \$F, \$B, \$O, \$S, \$U or \$X. These respectively display values as characters, decimal number, in function style (the default), binary, octal, string, unsigned decimal and hexadecimal.

It is possible to display Cintcode instructions using the commands I and N. For example:

```

* g4=      clihook          Get the entry to clihook
* n      3340:      K4G  1          Call global 1, incrementing P by 4
* n      3342:      RTN          Return from the function
*

```

A breakpoint can be set at the first instruction of `clihook` and debugged program re-entered by the following:

```

* g4=      clihook          Get the entry to clihook
* b9          Set break point 9
* c          Resume execution
20>

```

The X command could have been used since it is a shorthand for G4B9C. The function `clihook` is defined in BLIB and is called whenever a command is invoked. For example:

```
10> echo ABC          Invoke the echo command
```

```

!! BPT 9:      clihook          Break point hit
  A=          0 B=          0      3340:      K4G  1
*

```

Notice that the values of the Cintcode registers A and B are displayed, followed by the program counter PC and the Cintcode instruction at that point. Single step execution is possible, for example:

```

* \A=          0 B=          0      24228:      LLP  4
* \A=          6097 B=          0      24230:      SP3
* \A=          6097 B=          0      24231:      SP  89
* \A=          6097 B=          0      24233:      L   80
* \A=          80 B=          6097      24235:      SP  90
* \A=          80 B=          6097      24237:      LLL 24272
* \A=          6068 B=          80      24239:      LG  78
* \A=          rdargs B=          6068      24241:      K   85
* \A=          6068 B=          6068      5480:      LP4
*

```

At this point the first instruction of `rdargs` is about to be executed. Its return address is in `P1`, so a breakpoint can be set to catch the return, as follows:

```
* p1b8
* c

!! BPT 8:          24243
  A=   createc B=          1   24243:   JNE0  24254
*
```

A breakpoint can be set at the start of `sys`, as follows:

```
* g3b1          Set breakpoint 1
* b            Display the currently set of breakpoints
1:   sys
8:   24243
9:   clihook
* 0b8 0b9      Unset breakpoints 8 and 9
* b            Display the remaining breakpoint
1:   sys
*
```

The next three calls of `sys` will be to write the characters `ABC`. The following example steps through these and displays the state of the runtime stack just before the third call, before leaving the debugger.

```
* c

!! BPT 1:      sys
  A=          11 B=          65   21188:   SYS
* c
A
!! BPT 1:      sys
  A=          11 B=          66   21188:   SYS
* c
B
!! BPT 1:      sys
  A=          11 B=          67   21188:   SYS
* .  42844:  Active coroutine   clihook   Size 20000  Hwm  127
* ,  43284:   sys                11                67                312                43228
* ,  43268:   cnslwrf             37772
* ,  43248:   wrch                 67                32
* ,  43228:   writes              42915             67
* ,  42888:   start              42904             42912             0                4407873
* ,  42872:   clihook              0
* , Base of stack
* 0b1c          Clear breakpoint 1 and resume
C
210>
```

The following debugging commands allow the coroutine structure to be explored.

Command	Effect
.	Select current coroutine
,	Display next stack frame
;	Select parent coroutine
[	Select first coroutine
]	Select next coroutine

Finally, the command `Q` causes a return from the Cintcode system.

## 7.2 The Cintpos Debugger

Under Cintpos, the interactive debugger can be entered by connecting the console to task 2 (using `@s02`). This allows debugging to take place while other tasks are running. Alternatively, the debugger is automatically entered in standalone mode when a fault is encountered or by an explicit call of `abort`. Most of its facilities are the same as for the Cintsys version, however a few more operations are available to access Cintpos features. The `?` command prints the following.

```

?          Print list of debug commands
Gn Pn Rn Vn Wn An      Variables
G P R V W A           Pointers
123 #o377 #FF03 'c     Constants
*e /e %e +e -e |e &e ^e Dyadic operators
!e                   Subscription
< >                 Shift left/right one place
$b $c $d $f $o $s $u $x Set the print style
SGn SPn SRn SVn SWn SAN Store current value
Sn                   Select task n
S.                   Select current task
H                   Hold/Release selected task
K                   Disable/Enable clock interrupts
=                   Print current value
T+                 Turn instruction tracing on
T-                 Turn instruction tracing off
Tn                 Print n consecutive locations
I                   Print current instruction
N                   Print next instruction
D                   Dump Cintcode memory to DUMP.mem
Q                   Quit -- leave the cintpos system
M                   Set/Reset memory watch address
B 0Bn eBn          List, Unset or Set breakpoints
X (G4B9C)          Set breakpoint 9 at start of clihook
Z (P1B9C)          Set breakpoint 9 at return of current function
C                   Continue normal execution
\                   Single step execute one Cintcode instruction
. ; [ ]           Move to current/parent/first/next coroutine
,                   Move down one stack frame
a1#

```

The main additions as `Sn` to select a task, `S.` to select the current task and `H` to hold or unhold the currently selected task. Since interrupts (particularly from the

clock device) interfere with single stepping of Cintcode instructions, the `K` command is provided to turn clock interrupts on and off. The address of the task control block of the currently selected task is given by `W`. Thus the first locations of the control block can be printed by the command `Wt10`.

The debugger prompt contains a letter indicating whether the next instruction is to be executed in user mode (`a`), in kernel mode (`k`) or within the interrupt service routine (`i`). It also contains a number indicating which user task was running.



# Chapter 8

## The Design of OCODE

BCPL was designed to be a portable language with a compiler that is easily transferred from machine to machine. To help to achieve this, the compiler is structured as shown in figure 8.1 so that the codegenerator (CG), which is inherently machine dependent, is separated from the rest of the compiler. The front end of the compiler performs syntax analysis producing a parse tree (Tree) which is then translated by the translation phase (TRN) to produce an intermediate form (OCODE) suitable for code generation.

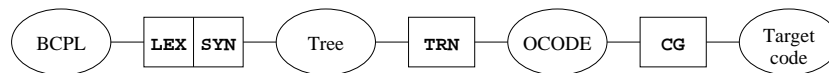


Figure 8.1: The structure of the compiler

### 8.1 Representation of OCODE

Since OCODE is output by TRN to be read in by CG, there is little need for it to be readable by humans and so is encoded as a sequence of integers which, in the current Cintcode implementation the OCODE is buffered in memory, however if the compiler is not given the `T0` argument it does not invoke the codegenerator but, instead, outputs the OCODE data to the file `ocode` in text form as a sequence of signed decimal numbers. This numerical representation of OCODE can be transformed to a more readable mnemonic form using the `procode` commands, described on page 120. As an

example, if the file `test.b` is the following:

```
GET "libhdr"

LET start() BE { LET a, b, c = 1, 0, -1
                  writef("Answer is %n*n", a+b+c)
                }
```

then the command: `bcpl test.b` would write the following text to the file `ocode.:`

```
85 2 94 1 5 115 116 97 114 116 95 3 42 1 42 0 42 -1 92 91 9 43
13 65 110 115 119 101 114 32 105 115 32 37 110 10 40 4 40 3 14
40 5 14 41 74 51 6 97 91 3 103 91 3 90 2 92 76 1 1 1
```

These numbers encode the OCODE statements in a natural way as can be verified by comparing them with the following more readable form of the same statements, generated by the `procode` command:

```
JUMP L2
ENTRY L1 5 's' 't' 'a' 'r' 't'
SAVE 3 LN 1 LN 0 LN -1 STORE STACK 9
LSTR 13 'A' 'n' 's' 'w' 'e' 'r' ' ' 'i' 's' ' ' '%' 'n' 10
LP 4 LP 3 PLUS LP 5 PLUS LG 74 RTAP 6 RTRN STACK 3
ENDPROC STACK 3 LAB L2 STORE GLOBAL 1 1 L1
```

## 8.2 The OCODE Abstract Machine

OCODE was specifically designed for BCPL and is a compromise between the desire for simplicity and the conflicting demands of efficiency and machine independence. OCODE is an assembly language for an abstract stack based machine that has a global vector and an area of memory for program and static data as shown in figure 8.2.

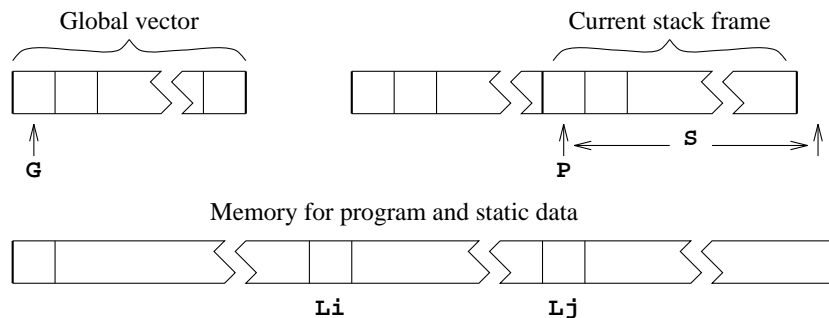


Figure 8.2: The BCPL abstract machine

The global vector is pointed to by the `G` pointer and the current stack frame is pointed to by the `P` pointer. `S` is the size of the current stack frame, and so `P!S` is the first free element of the stack. The value of `S` is always known during compilation and so is not held in a register of the OCODE abstract machine. Any assignments to `S` in

the description of OCODE statements should be regarded as a specification of  $S$  for the subsequent statement.

Static variables, tables and string constants are allocated space in the program area and are referenced using labels such as L36 and L92. All global, local and static variables are of the same size and, on most modern implementations, they hold 32 bit values. More recently 64 bit versions of BCPL are becoming more common.

OCODE is normally encoded as a sequence of integers, but for human consumption a more readable form is available. The command `procode` translates the numeric OCODE into this mnemonic form. An OCODE statement consists of a function or directive code possibly followed by operands that are either optionally signed integers, quoted characters or labels of the form  $L_n$  where  $n$  is a label number. The following are examples of mnemonic OCODE statements:

```
LSTR 5 'H' 'e' 'l' 'l' 'o'
LP 3
GETBYTE
SL L36
```

There are OCODE statements for loading and storing values, for applying expression operators, for the implementation of functions and routines, and to control the flow of execution. There are also directives for the allocation of storage and to allow information to be passed to the codegenerator.

## 8.3 Loading and Storing values

A variables may be local, global or static, and may be accessed in three ways depending on its context, and so there are 9 statements for accessing variables as shown in the following table.

Statement	Meaning
LP $n$	$P!S := P!n; S := S+1$
LG $n$	$P!S := G!n; S := S+1$
LL $L_n$	$P!S := L_n; S := S+1$
LLP $n$	$P!S := @P!n; S := S+1$
LLG $n$	$P!S := @G!n; S := S+1$
LLL $L_n$	$P!S := @L_n; S := S+1$
SP $n$	$S := S-1; P!n := P!S$
SG $n$	$S := S-1; G!n := P!S$
SL $L_n$	$S := S-1; L_n := P!S$

The following tables shows the six statements for loading constants.

Statement	Meaning
LF $Ln$	$P!S := \text{entry point } Ln; S := S+1$
LN $n$	$P!S := n; S := S+1$
FNUM $m e$	$P!S := \langle \text{make float} \rangle(m, e); S := S+1$
TRUE	$P!S := \text{TRUE}; S := S+1$
FALSE	$P!S := \text{FALSE}; S := S+1$
QUERY	$P!S := ?; S := S+1$
LSTR $n C_1 \dots C_n$	$P!S := "C_1 \dots C_n"; S := S+1$

LF  $Ln$  loads the entry point of a non global function onto the stack. LN  $n$  loads the signed integer constant  $n$  onto the stack. FNUM  $m e$  loads a floating point approximation of a number with signed integer mantissa  $m$  and signed integer decimal exponent  $e$  onto the stack. The statements TRUE and FALSE are present to improve portability between machines that use different representations for the integers. For instance, on machines using ones complement or sign and modulus arithmetic, TRUE is not equivalent to LN -1. QUERY loads an undefined value onto the stack, and the LSTR statement allocates a string in static memory and loads a pointer to it onto the stack.

Indirect assignments and assignments to elements of word and byte arrays normally use the statements STIND and PUTBYTE whose meanings are given in table 5.3.

Statement	Meaning
STIND	$!(P!(S-1)) := P!(S-2); S := S-2$
PUTBYTE	$(P!(S-2))\%(P!(S-1)) := P!(S-3); S := S-3$

Assuming ptr is in global 200, the following assignments:

```
!ptr := 12; ptr!3 := 99; ptr%3 := 65
```

translate into the following OCODE:

```
LN 12 LG 200 STIND
LN 99 LG 200 LN 3 PLUS STIND
LN 65 LG 200 LN 3 PUTBYTE
```

## 8.4 Field Selection Operators

Accessing and updating fields as required by the OF operator are implemented using the OCODE operators SELLD and SELST.

SELLD takes two arguments *len* and *sh*. Its effect is equivalent to

```
 $P!(S-1) := !(P!(S-1)) \gg sh \& mask$ 
```

where *mask* is a bit pattern containing *len* right justified ones. If *em len* is zero no masking is done.

SELST takes three arguments *op*, *len* and *sh*. If *op* is zero, its effect is equivalent to

```
SLCT  $len:sh:0$  OF  $P!(S-1) := P!(S-2); S := S-2$ 
```

but if *op* is non zero it represents an assignment operator (*assop*) and the statement is equivalent to:

SLCT *len:sh:0* OF (P!(S-1)) *assop:=* P!(S-2); S := S-2

The mapping between *op* and *assop* is given by the following table.

<i>op</i>	<i>assop</i>	<i>op</i>	<i>assop</i>
1	!	9	+
2	##	10	-
3	#/	11	<<
4	#+	12	>>
5	#-	13	&
6	*	14	
7	/	15	EQV
8	REM	16	NEQV

The floating-point assignment operators are only allowed when the specified field is a full word, typically with *len* and *sh* both zero. The SELST operator with *len* and *sh* both zero is used in the compilation *assop:=* assignments where the left hand side is a simple variable or a subscripted expression. For instance, the assignment *v!3+: = 1* might generate the following OPCODE.

```
LG 200 LN 1 PLUS
LN 1 SELST 9 0 0
```

## 8.5 Expression Operators

The monadic expression operators only affect the topmost item of the stack and do not change the value of S. They are shown in the next table.

Statement	Meaning
RV	P!(S-1) := ! P!(S-1)
ABS	P!(S-1) := ABS P!(S-1)
FABS	P!(S-1) := FABS P!(S-1)
FLOAT	P!(S-1) := FLOAT P!(S-1)
FIX	P!(S-1) := FIX P!(S-1)
NEG	P!(S-1) := - P!(S-1)
FNEG	P!(S-1) := #- P!(S-1)
NOT	P!(S-1) := ~ P!(S-1)

All dyadic expression operators take two operands from stack replacing them the result and decrementing S by 1. These operators are shown in the following table.

Statement	Meaning
GETBYTE	$S := S-1; P!(S-1) := P!(S-1) \% P!S$
MULT	$S := S-1; P!(S-1) := P!(S-1) * P!S$
FMULT	$S := S-1; P!(S-1) := P!(S-1) \#\# P!S$
DIV	$S := S-1; P!(S-1) := P!(S-1) / P!S$
FDIV	$S := S-1; P!(S-1) := P!(S-1) \# / P!S$
REM	$S := S-1; P!(S-1) := P!(S-1) \text{ REM } P!S$
PLUS	$S := S-1; P!(S-1) := P!(S-1) + P!S$
FPLUS	$S := S-1; P!(S-1) := P!(S-1) \#\# + P!S$
MINUS	$S := S-1; P!(S-1) := P!(S-1) - P!S$
FMINUS	$S := S-1; P!(S-1) := P!(S-1) \#\# - P!S$
EQ	$S := S-1; P!(S-1) := P!(S-1) = P!S$
FEQ	$S := S-1; P!(S-1) := P!(S-1) \#\# = P!S$
NE	$S := S-1; P!(S-1) := P!(S-1) \sim = P!S$
FNE	$S := S-1; P!(S-1) := P!(S-1) \#\# \sim = P!S$
LS	$S := S-1; P!(S-1) := P!(S-1) < P!S$
FLS	$S := S-1; P!(S-1) := P!(S-1) \#\# < P!S$
GR	$S := S-1; P!(S-1) := P!(S-1) > P!S$
FGR	$S := S-1; P!(S-1) := P!(S-1) \#\# > P!S$
LE	$S := S-1; P!(S-1) := P!(S-1) \leq P!S$
FLE	$S := S-1; P!(S-1) := P!(S-1) \#\# \leq P!S$
GE	$S := S-1; P!(S-1) := P!(S-1) \geq P!S$
FGE	$S := S-1; P!(S-1) := P!(S-1) \#\# \geq P!S$
LSHIFT	$S := S-1; P!(S-1) := P!(S-1) \ll P!S$
RSHIFT	$S := S-1; P!(S-1) := P!(S-1) \gg P!S$
LOGAND	$S := S-1; P!(S-1) := P!(S-1) \& P!S$
LOGOR	$S := S-1; P!(S-1) := P!(S-1)   P!S$
EQV	$S := S-1; P!(S-1) := P!(S-1) \text{ EQV } P!S$
NEQV	$S := S-1; P!(S-1) := P!(S-1) \text{ NEQV } P!S$

Vector subscription ( $E_1!E_2$  is implemented using PLUS and RV.

## 8.6 Functions and Routines

The design of the OCODE statements for the implementation of function and routine calls have been designed with care to allow code generators as much freedom as possible. The mechanism allows some arguments to be passed in registers if this is worthwhile, and the distribution of work between the code for a call and the code at the entry point is up to the implementer. In a typical program there are about five calls for each function or routine and so there is some incentive to keep the size of the call small by transferring some of the work to the save sequence.

The compilation of a function or routine definition generates an OCODE sequence of the following form:

```

ENTRY Li n C1 ... Cn
SAVE s
  body of function or routine
ENDPROC

```

$L_i$  is the label allocated for the entry point. As a debugging aid, the length of the function or routine name is given by  $n$  and its characters by the  $C_1 \dots C_n$ . The **SAVE** statement specifies the initial setting of  $S$ , which is just the save space size ( $=3$ ) plus the number of formal parameters. The state of the stack just after entry is shown in figure 8.3.

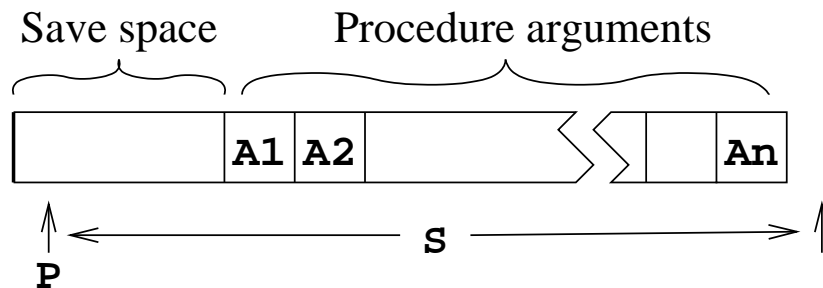


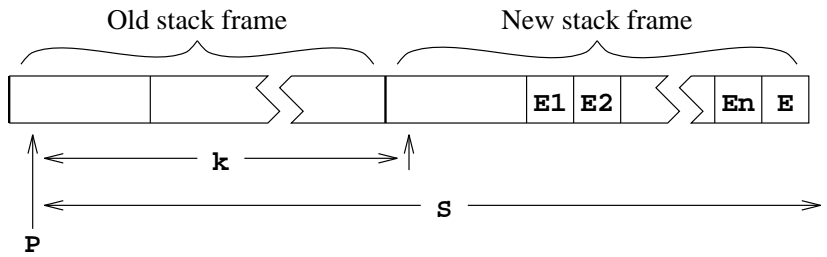
Figure 8.3: The stack frame on function or routine entry

The save space is used to hold the previous value of  $P$ , the return address and the function entry address. Thus, the first argument of a function is always at position 3 relative to the  $P$  pointer. On some older versions of BCPL the size of the save space was different.

The end of the body is marked by an **ENDPROC** statement which is non executable but allows the code generator to keep track of nested definitions. In early versions of OCODE, the first two arguments of **ENTRY** were interchanged and **ENDPROC** was given a numerical argument.

The language insists that arguments are laid out in consecutive locations on the stack and that there is no limit to their number. This suggests that a good strategy is to place the arguments of a call in the locations they must occupy when the function or routine is entered. Thus, a typical call  $E(E_1, \dots, E_n)$  is compiled by first incrementing  $S$  to leave room for the save space in the new stack frame, then generate code to evaluate the arguments  $E_1, \dots, E_n$  before generating code for  $E$ . The state is then as shown in figure 8.4. Finally, either **FNAP  $k$**  or **RTAP  $k$**  is generated, depending on whether a function or routine call is being compiled. Notice that  $k$  is the distance between the old and new stack frames.

The return from a routine is performed by **RTRN** which restores the previous value of  $P$  and resumes execution from the return address. The return from a function is performed by **FNRN** just after the function result has been evaluated on the top of the stack. **FNRN** performs the same action as **RTRN**, after placing the function result in a special register (**A**) ready for **FNAP** to store it in the required location in the previous stack frame.

Figure 8.4: The moment of calling  $E(E_1, E_2, \dots, E_n)$ 

## 8.7 Control

The statement `LAB  $L_n$`  set the value of label  $L_n$  to the current position in the OCODE program. An unconditional transfer to this label can be performed by the statement `JUMP  $L_n$` . Conditional jumps inspect the value on the top of the stack  $P!(S-1)$ . `JT  $L_n$`  will make the jump if it is `TRUE`, and `JF  $L_n$`  will jump if `FALSE`. The translation of the command `GOTO  $E$`  is the translation of  $E$  followed by the OCODE statement `GOTO`. It thus takes the destination address from the top of the stack.

If the command `RESULTIS  $E$`  occurs in a context where the value of  $E$  is immediately returned as the result of a function, it uses `FNRN`; but in other contexts, its translation is code to evaluate  $E$  followed by a statement of the form `RES  $L_n$` . This will place the result in the special register (`A`) and jump to the label  $L_n$ , where a statement of the form `RSTACK  $k$`  will be present to accept the value and place it in  $P!k$  while setting `S` to  $k + 1$ .

The OCODE statement:

$$\text{SWITCHON } n \text{ Ld} K_1 L_1 \dots K_n L_n$$

is used in the compilations of switches. It makes a jump determined by the value on the top of the stack. Its first argument ( $n$ ) is the number of cases in the switch and the second argument (`Ld`) is the the default label.  $K_1$  to  $K_n$  are the case constants and  $L_1$  to  $L_n$  are the corresponding labels.

The `FINISH` statement is the compilation of the BCPL `FINISH` command. It is converted into code equivalent to `stop(0)` by the code generator.

## 8.8 Directives

Sometimes the size of the stack frame changes other than in the course of expression evaluation. This happens, for instance, when control leaves a block in which local variables were declared. The statement `STACK  $s$`  informs the code generator that the size of the current stack frame is now  $s$ .

The `STORE` statement is used to inform the code generator that the point separating the declarations and body of a block has been reached and that any anonymous results on the stack are actually initialised local variables and so should be stored in their true stack locations.



Static variables and tables are allocated space in the program area using statements of the form `ITEMN n`, where  $n$  is the initial value of the static cell. The elements of table are placed in consecutive locations by consecutive `ITEMN` statements. A label may be set to the address of a static cell by preceding the `ITEMN` statement by a statement of the form `DATALAB Ln`.

The `SECTION` and `NEEDS` directives in a BCPL program translate into `SECTION` and `NEEDS` statements of the form:

```
SECTION n C1 ... Cn
NEEDS n C1 ... Cn
```

where  $C_1$  to  $C_n$  are the characters of the `SECTION` or `NEEDS` name and  $n$  is the length.

The end of an `OCODE` module is marked by the `GLOBAL` statement which contains information about global functions, routines and labels. The form of the `GLOBAL` statement is as follows:

```
GLOBAL n K1L1 ... KnLn
```

where  $n$  is the number of items in the global initialisation list.  $K_i$  is the global number and  $L_i$  is its label. When a module is loaded its global entry points must be initialised.

## 8.9 Discussion

A very early version of `OCODE` used a three address code in which the operands were allowed to be the sum of up to three simple values with a possible indirection. The intention was that reasonable code should be obtainable even when codegenerating one statement at a time. It was soon found more convenient to use an intermediate code that separates the accessing of values from the application of operators. This improved portability by making it possible to implement very simple non optimising codegenerators. Optimising codegenerators could absorb several `OCODE` statements before emitting compiled code.

The `TRUE` and `FALSE` statements were added in 1968 to improve portability to machines using sign and modulus or one's complement arithmetic. Luckily two's complement arithmetic has now become the norm. Other extensions to `OCODE`, notably the `ABS`, `QUERY`, `GETBYTE` and `PUTBYTE` statements were added as the corresponding constructs appeared in the language.

In 1980, the BCPL changed slightly to permit position independent code to be compiled. This change specified that non global functions, routines and labels were no longer variables, and the current version of `OCODE` reflects this change by the introduction of the `LF` statement and the removal of the old `ITEML` statement that used to allocate static cells for such entry points.

Another minor change in this version of `OCODE` is the elimination of the `ENDFOR` statement that was provided to fix a problem on 16-bit word addressed machines with more than 64 Kbytes of memory.



# Chapter 9

## The Design of Cintcode

The original version of Cintcode was a byte stream interpretive code designed to be both compact and capable of efficient interpretation on small 16 bit machines based on 8 bit micro processors such as the Z80 and 6502. Versions that ran on the BBC Microcomputer and under CP/M were marketed by RCP Ltd [2]. The current version of Cintcode was extended for 32 bit implementations of BCPL and mainly differs from the original by the provision of 32 bit operands and the removal of a size restriction of the global vector.

There is now also a version of Cintcode for 64-bit implementations of BCPL. This is almost identical to the 32-bit version. A ninth Cintcode register (**MW**) has been added. This is normally zero but can be set by a new Cintcode instruction (**MW**), see below. On 64-bit implementations, the instructions that take four byte immediate operands, namely **KW**, **LLPW**, **LW**, **LPW**, **SPW**, **APW**, and **AW**, sign extend the four byte immediate operand before adding the **MW** register into the senior half of the 64-bit result before resetting the **MW** to zero. In this version static variables are allocated in 64-bit 8 byte aligned locations.

The Cintcode machine has nine registers as shown in figure 9.1.

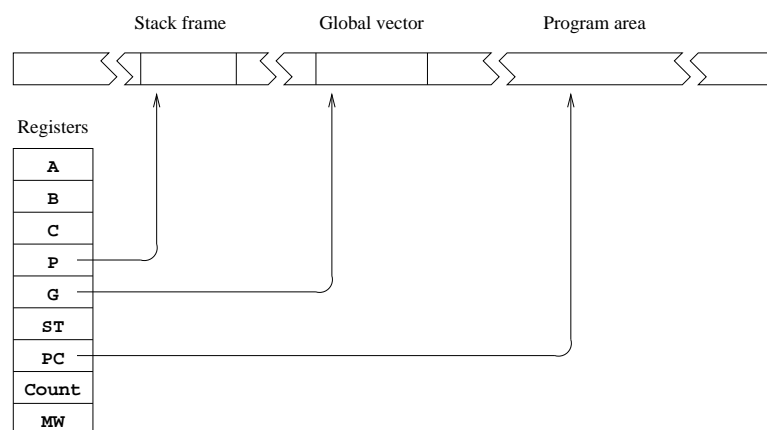


Figure 9.1: The Cintcode machine

The registers **A** and **B** are used for expression evaluation, and **C** is used in in byte subscription. **P** and **G** are pointers to the current stack frame and the global vector, respectively. **ST** is used as a status register in the Cintpos version of Cintcode, and **PC** points to the first byte of the next Cintcode instruction to execute. **Count** is a register used by the debugger. While it is positive, **Count** is decremented on each instruction execution, raising an exception (code 3) on reaching zero. When negative, it causes a second (faster) interpreter to be used.

Cintcode encodes the most commonly occurring operations as single byte instructions, using multi-byte instructions for rarer operations. The first byte of an instruction is the function code. Operands of size 1, 2 or 4 bytes immediately follow some function bytes. The two instructions used to implement switches have inline data following the function byte. Cintcode modules also contains static data for stings, integers, tables and global initialisation data.

## 9.1 Designing for Compactness

To obtain a compact encoding, information theory suggests that each function code should occur with approximately equal frequency. The self compilation of the BCPL compiler, as shown in figure 4.2, was the main benchmark test used to generate frequency information and a summary of how often various operations are used during this test is given in table 9.1. This data was produced using the tallying feature controlled by the **stats** command, described on page 125.

The statistics from different programs vary greatly, so while encoding the common operations really compactly, there is graceful degradation for the rarer cases ensuring that even unusual programs are handled reasonably well. There are, for instance, several one byte instructions for loading small integers, while larger integers are handled using 2, 3 and 5 byte instructions. The intention is that small changes in a source program should cause small small changes in the size of the corresponding compiled code.

Having several variant instructions for the same basic operation does not greatly complicate the compiler. For example the four variants of the **AP** instruction that adds a local variable into register **A** is dealt with by the following code fragment taken from the codegenerator.

```
TEST 3<=n<=12 THEN gen(f_ap0 + n)
      ELSE TEST 0<=n<=255
            THEN genb(f_ap, n)
            ELSE TEST 0<=n<=#xFFFF
                  THEN genh(f_aph, n)
                  ELSE genw(f_apw, n)
```

It is clear from table 9.1 that accessing variables and constants requires special care, and that conditional jumps, addition, calls and indirection are also important. Since access to local variables accounts for about a quarter of the operations performed, about this proportion of codes were allocated to instructions concerned with local variables. Local variables are allocated words in the stack starting at position 3 relative to the **P**

Operation	Executions	Static count
Loading a local variable	3777408	1479
Updating a local variable	1965885	1098
Loading a global variable	5041968	1759
Updating a global variable	796761	363
Using a positive constant	4083433	1603
Using a negative constant	160224	93
Conditional jumps (all)	2013013	488
Conditional jumps on zero	494282	267
Unconditional direct jump	254448	140
Unconditional indirect jumps	152646	93
Procedure calls	1324206	1065
Procedure returns	1324204	381
Binary chop switches	43748	12
Label vector switches	96461	17
Addition	2135696	574
Subtraction	254935	111
Other expression operations	596882	74
Loading a vector element	1356315	429
Updating a vector element	591268	137
Loading a byte vector element	476688	53
Updating a byte vector element	405808	29

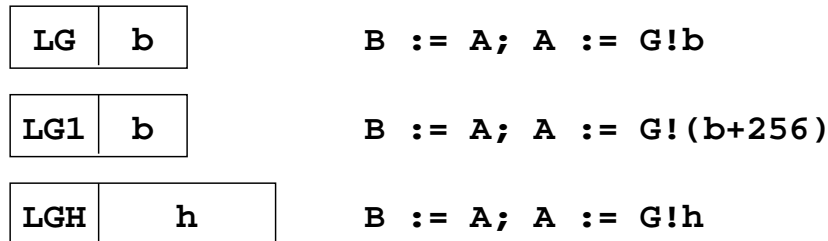
Table 9.1: Counts from the BCPL self compilation test

pointer and, as one would expect, small numbered locals are used far more frequently than the others, so operations on low numbered locals often have single byte codes.

Although not shown here, other statistics, such as the distribution of relative addressing offsets and operand values, influenced the design of Cintcode.

### 9.1.1 Global Variables

Global variables are referenced as frequently as locals and therefore have many function codes to handle them. The size of the global vector in most programs is less than 512, but Cintcode allows this to be as large as 65536 words. Each operation that refers to a global variable is provided with three related instructions. For instance, the instructions to load a global into register **A** are as follows:



Here, **b** and **h** are unsigned 8 and 16 bit values, respectively.

### 9.1.2 Composite Instructions

Compactness can be improved by combining commonly occurring pairs (and triples) of operations into a single instructions. Many such composite instructions occur in Cintcode; for instance, **AP3** adds local 3 to the **A** register, and **L1P6** will load **v!1** into register **A**, assuming **v** is held in local 6.

### 9.1.3 Relative Addressing

A relative addressing mechanism is used in conditional and unconditional jumps and the instructions: **LL**, **LLL**, **SL** and **LF**. All these instructions refer to locations within the code and are optimised for small relative distances. To simplify the codegenerator all relative addressing instructions are 2 bytes in length. The first being the function code and the second being an 8 bit relative address.

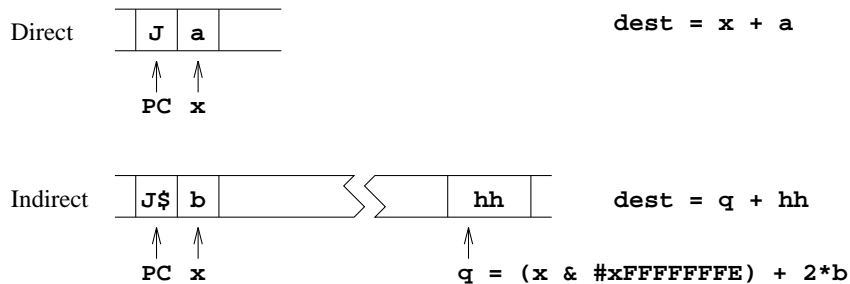


Figure 9.2: The relative addressing mechanism

All relative addressing instructions have two forms: direct and indirect, depending on the least significant bit of the function byte. The details of both relative address calculations are shown in figure 9.2, using the instructions **J** and **J\$** as examples. For the direct jump (**J**), the operand (**a**) is a signed byte in the range -128 to +127 which is added to the address (**x**) of the operand byte to give the destination address (**dest**). For the indirect jump, **J\$**, the operand (**b**) is an unsigned byte in the range 0 to 255 which is doubled and added to the rounded version of **x** to give the address (**q**) of a 16 bit signed value **hh** which is added to **q** to give the destination address (**dest**).

The compiler places the resolving half word as late as possible to increase the chance that it can be shared by other relative addressing instructions to the same desination, as could happen when several **ENDCASE** statements occur in a large **SWITCHON**

command. The use of a 16 bit resolving word places a slight restriction on the maximum size of relative references. Any Cintcode module of less than 64K bytes will have no problem.

## 9.2 The Cintcode Instruction Set

The resulting selection of function codes is shown in Table 9.2 and they are described in the sections that follow. In the remaining sections of this chapter the following conventions hold:

Symbol	Meaning
$n$	An integer encoded in the function byte.
$Ln$	The one byte operand of a relative addressing instruction.
$b$	An unsigned byte, range $0 \leq b \leq 255$ .
$h$	An unsigned halfword, range $0 \leq h \leq 65535$ .
$w$	A signed 32 bit word.
<i>filler</i>	Optional filler byte to round up to a 16 bit boundary.
A	The Cintcode A register.
B	The Cintcode B register.
C	The Cintcode C register.
P	The Cintcode P register.
G	The Cintcode G register.
PC	The Cintcode PC register.
MW	The Cintcode MW register used in 64-bit Cintcode.

### 9.2.1 Byte Ordering and Alignment

A Cintcode module is a vector of 32 bit words containing the compiled code and static data of a section of program. The first word of a module holds its size in words that is used as a relative address to the end of the module where the global initialisation data is placed. The last word of a module holds the highest referenced global number, and working back, there are pairs of words giving the global number and relative entry address of each global function or label defined in the module. A relative address of zero marks the end of the initialisation data. See section 8.3 for more details.

The compiler can generate code for either a big- or little-endian machine. These differ only in the byte ordering of bytes within words. For a little endian machine, the first byte of a 32 bit word is at the least significant end, and on a big-endian machine, it is the most significant byte. This affect the ordering of bytes in 2 and 4 byte immediate operands, 2 byte relative address resolving words, 4 byte static quantities and global initialisation data. Resolving words are aligned on 16 bit boundaries relative to the start of the module, and 4 byte statics values are aligned on 32 bit boundaries. The 2 and 4 byte immediate operands are not aligned.

For efficiency reasons, the byte ordering is chosen to suit the machine on which the code is to be interpreted. The compiler option `OENDER` causes the BCPL compiler to

	0	32	64	96	128	160	192	224
0	-	K	LLP	L	LP	SP	AP	A
1	FLTOP	KH	LLPH	LH	LPH	SPH	APH	AH
2	BRK	KW	LLPW	LW	LPW	SPW	APW	AW
3	K3	K3G	K3G1	K3GH	LP3	SP3	AP3	LOP3
4	K4	K4G	K4G1	K4GH	LP4	SP4	AP4	LOP4
5	K5	K5G	K5G1	K5GH	LP5	SP5	AP5	LOP5
6	K6	K6G	K6G1	K6GH	LP6	SP6	AP6	LOP6
7	K7	K7G	K7G1	K7GH	LP7	SP7	AP7	LOP7
8	K8	K8G	K8G1	K8GH	LP8	SP8	AP8	LOP8
9	K9	K9G	K9G1	K9GH	LP9	SP9	AP9	LOP9
10	K10	K10G	K10G1	K10GH	LP10	SP10	AP10	LOP10
11	K11	K11G	K11G1	K11GH	LP11	SP11	AP11	LOP11
12	LF	S0G	S0G1	S0GH	LP12	SP12	AP12	LOP12
13	LF\$	LOG	LOG1	LOGH	LP13	SP13	XPBYT	S
14	LM	L1G	L1G1	L1GH	LP14	SP14	LMH	SH
15	LM1	L2G	L2G1	L2GH	LP15	SP15	BTC	MDIV
16	L0	LG	LG1	LGH	LP16	SP16	NOP	CHGCO
17	L1	SG	SG1	SGH	SYS	S1	A1	NEG
18	L2	LLG	LLG1	LLGH	SWB	S2	A2	NOT
19	L3	AG	AG1	AGH	SWL	S3	A3	L1P3
20	L4	MUL	ADD	RV	ST	S4	A4	L1P4
21	L5	DIV	SUB	RV1	ST1	XCH	A5	L1P5
22	L6	REM	LSH	RV2	ST2	GBYT	RVP3	L1P6
23	L7	XOR	RSH	RV3	ST3	PBYT	RVP4	L2P3
24	L8	SL	AND	RV4	STP3	ATC	RVP5	L2P4
25	L9	SL\$	OR	RV5	STP4	ATB	RVP6	L2P5
26	L10	LL	LLL	RV6	STP5	J	RVP7	L3P3
27	FHOP	LL\$	LLL\$	RTN	GOTO	J\$	STOP3	L3P4
28	JEQ	JNE	JLS	JGR	JLE	JGE	STOP4	L4P3
29	JEQ\$	JNE\$	JLS\$	JGR\$	JLE\$	JGE\$	ST1P3	L4P4
30	JEQ0	JNE0	JLS0	JGR0	JLE0	JGE0	ST1P4	SELLD
31	JEQ0\$	JNE0\$	JLS0\$	JGR0\$	JLE0\$	JGE0\$	MW	SELST

Table 9.2: The Cintcode function codes



compile code with the opposite endianness to that of the machine on which the compiler is running, see the description of the `bcp1` command on page 106.

### 9.2.2 Loading Values

The following instructions are used to load constants, variables, the addresses of variables and function entry points. Notice that all loading instructions save the old value of register A in B before updating A. This simplifies the translation of dyadic expression operators.

$Ln$	$0 \leq n \leq 10$	$B := A; A := n$
LM1		$B := A; A := -1$
L $b$		$B := A; A := b$
LH $h$		$B := A; A := h$
LMH $h$		$B := A; A := -h$
LW $w$		$B := A; A := w$
MW $w$		$MW := w$

These instructions load integer constants. Constants in the range -1 to 10 are the most common and have single byte instructions. The other cases use successively larger instructions. The MW instruction is only used in 64-bit Cintcode. See page 155 for more details.

$LPn$	$3 \leq n \leq 16$	$B := A; A := P!n$
LP $b$		$B := A; A := P!b$
LPH $h$		$B := A; A := P!h$
LPW $w$		$B := A; A := P!w$

These instructions load local variables and anonymous results addressed relative to P. Offsets in the range 3 to 16 are the most common and use single byte instructions. The other cases use successively larger instructions.

LG $b$	$B := A; A := G!b$
LG1 $b$	$B := A; A := G!(b + 256)$
LGH $h$	$B := A; A := G!h$

LG loads the value of a global variables in the range 0 to 255, LG1 load globals in the range 256 to 511, and LGH can load globals up to 65535. Global numbers must be in the range 0 to 65535.

LL $Ln$	$B := A; A := \text{variable } Ln$
LL\$ $Ln$	$B := A; A := \text{variable } Ln$
LF $Ln$	$B := A; A := \text{entry point } Ln$
LF\$ $Ln$	$B := A; A := \text{entry point } Ln$

LL loads the value of a static variable and LF loads the entry address of a function, routine or label in the current module.

LLP <i>b</i>	B := A; A := @P! <i>b</i>
LLPH <i>h</i>	B := A; A := @P! <i>h</i>
LLPW <i>w</i>	B := A; A := @P! <i>w</i>
LLG <i>b</i>	B := A; A := @G! <i>b</i>
LLG1 <i>b</i>	B := A; A := @G!( <i>b</i> + 256)
LLGH <i>h</i>	B := A; A := @G! <i>h</i>
LLL <i>Ln</i>	B := A; A := @(variable <i>Ln</i> )
LLL\$ <i>Ln</i>	B := A; A := @(variable <i>Ln</i> )

These instructions load the BCPL pointers to local, global and static variables.

### 9.2.3 Indirect Load

GBYT	A := B%A
RV	A := A!0
RV <i>n</i>	$1 \leq n \leq 6$ A := A! <i>n</i>
RVP <i>n</i>	$3 \leq n \leq 7$ A := P! <i>n</i> !A
LOP <i>n</i>	$3 \leq n \leq 12$ B := A; A := P! <i>n</i> !0
L1P <i>n</i>	$3 \leq n \leq 6$ B := A; A := P! <i>n</i> !1
L2P <i>n</i>	$3 \leq n \leq 5$ B := A; A := P! <i>n</i> !2
L3P <i>n</i>	$3 \leq n \leq 4$ B := A; A := P! <i>n</i> !3
L4P <i>n</i>	$3 \leq n \leq 4$ B := A; A := P! <i>n</i> !4
LnG <i>b</i>	$0 \leq n \leq 2$ B := A; A := G! <i>b</i> ! <i>n</i>
LnG1 <i>b</i>	$0 \leq n \leq 2$ B := A; A := G!( <i>b</i> +256)! <i>n</i>
LnGH <i>h</i>	$0 \leq n \leq 2$ B := A; A := G! <i>h</i> ! <i>n</i>

These instructions are used in the implementation of byte and word indirection operators % and ! in right hand contexts.

### 9.2.4 Expression Operators

NEQ	A := -A
ABS	A := ABS A
NOT	A := ~A

These instructions implement the three monadic expression operators.

MUL	A := B * A
DIV	A := B / A
REM	A := B REM A
ADD	A := B + A
SUB	A := B - A
LSH	A := B << A
RSH	A := B >> A
AND	A := B & A
OR	A := B   A
XOR	A := B XOR A

These instructions provide for all the normal arithmetic and bit pattern dyadic operators. The instructions `DIV` and `REM` generate exception 5 if the divisor is zero. Evaluation of relational operators in non conditional contexts involve conditional jumps and the `FHOP` instruction, see page 166. Addition is the most frequently used arithmetic operation and so there are various special instructions improve its efficiency.

<code>An</code>	$1 \leq n \leq 5$	<code>A := A + n</code>
<code>Sn</code>	$1 \leq n \leq 4$	<code>A := A - n</code>
<code>A b</code>		<code>A := A + b</code>
<code>AH h</code>		<code>A := A + h</code>
<code>AW w</code>		<code>A := A + w</code>
<code>S b</code>		<code>A := A - b</code>
<code>SH h</code>		<code>A := A - h</code>

These instructions implement addition and subtraction by constant integer amounts. There are single byte instructions for incrementing by 1 to 5 and decremented by 1 to 4. For other values longer instructions are available.

<code>APn</code>	$3 \leq n \leq 12$	<code>A := A + P!n</code>
<code>AP b</code>		<code>A := A + P!b</code>
<code>APH h</code>		<code>A := A + P!h</code>
<code>APW w</code>		<code>A := A + P!w</code>
<code>AG b</code>		<code>A := A + G!b</code>
<code>AG1 b</code>		<code>A := A + G!(b+256)</code>
<code>AGH h</code>		<code>A := A + G!b</code>

These instructions allow local and global variables to be added to `A`. Special instructions for addition by static variables are not provided, and subtraction by a variable is not common enough to warrant special treatment.

### 9.2.5 Simple Assignment

<code>SPn</code>	$3 \leq n \leq 16$	<code>P!n := A</code>
<code>SP b</code>		<code>P!b := A</code>
<code>SPH h</code>		<code>P!h := A</code>
<code>SPW w</code>		<code>P!w := A</code>
<code>SG b</code>		<code>G!b := A</code>
<code>SG1 b</code>		<code>G!(b+256) := A</code>
<code>SGH h</code>		<code>G!h := A</code>
<code>SL Ln</code>		<code>variable Ln := A</code>
<code>SL\$ Ln</code>		<code>variable Ln := A</code>

These instructions are used in the compilation of assignments to named local, global and static variables. The `SP` instructions are also used to save anonymous results and to layout function arguments.

### 9.2.6 Indirect Assignment

PBYT		B%A := C
XPBYT		A%B := C
ST		A!0 := B
STn	$1 \leq n \leq 3$	A!n := B
STOPn	$3 \leq n \leq 4$	P!n!0 := A
ST1Pn	$3 \leq n \leq 4$	P!n!1 := A
STPn	$3 \leq n \leq 5$	P!n!A := B
SOG b		G!b!0 := A
SOG1 b		G!(b+256)!0 := A
SOGH h		G!h!0 := A

These instructions are used in assignments in which % or ! appear as the leading operator on the left hand side.

### 9.2.7 Function and Routine Calls

At the moment a function or routine is called the state of the stack is as shown in figure 9.3. At the entry point of a function or routine the first argument, if any, will be in register A and in memory P!3.

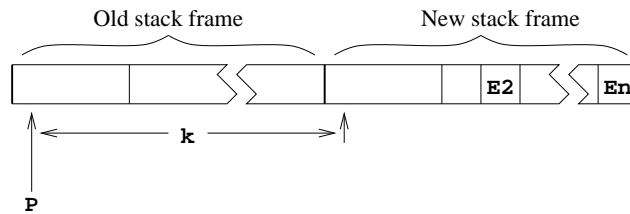


Figure 9.3: The moment of calling  $E(E_1, E_2, \dots, E_n)$

*Kn*                     $3 \leq n \leq 11$   
*K* *b*  
*KH* *h*  
*KW* *w*

These instructions call the function or routine whose entry point is in *A* and whose first argument (if any) is in *B*. The new stack frame at position *k* relative to *P* where *k* is *n*, *b*, *h* or *w* depending on which instruction is used. The effect of these instructions is as follows:

```

P!k := P    // Save the old P pointer
P   := P+k  // Set its new value
P!1 := PC   // Save the return address
PC  := A    // Set PC to the entry point
P!2 := PC   // Save it in the stack for debugging
A   := B    // Put the first argument in A
P!3 := A    // Save it in the stack

```

As can be seen, three words of link information (the old *P* pointer, the return address and entry address) are stored in the base of the new stack frame.

*KnG* *b*                 $3 \leq n \leq 11$   
*KnG1* *b*               $3 \leq n \leq 11$   
*KnGH* *h*               $3 \leq n \leq 11$

These instructions deal with the common situation where the entry point of the function is in the global vector and the stack increment is in the range 3 to 11. The global number *gn* is *b*, *b* + 256 or *h* depending on which function code is used and stack increment *k* is *n*. The first argument (if any) is in *A*. The effect of these instructions is as follows:

```

P!k := P    // Save the old P pointer
P   := P+k  // Set its new value
P!1 := PC   // Save the return address
PC  := G!gn // Set the new PC value from the global value
P!2 := PC   // Save it in the stack for debugging
P!3 := A    // Save the first argument in the stack

```

## RTN

This instruction causes a return from the current function or routine using the previous *P* pointer and the return address held in *P!0* and *P!1*. The effect of the instruction is as follows:

```

PC := P!1 // Set PC to the return address
P  := P!0 // Restore the old P pointer

```

When returning from a function the result will be in *A*.

### 9.2.8 Flow of Control and Relations

The following instructions are used in the compilation of conditional and unconditional jumps, and relational expressions. The symbol *rel* denotes EQ, NE, LS, GR, LE or GE indicating the relation being tested.

```
J Ln           PC := Ln
J$ Ln          PC := Ln
Jrel Ln        IF B rel A DO PC := Ln
Jrel$ Ln       IF B rel A DO PC := Ln
Jrel0 Ln       IF A rel 0 DO PC := Ln
Jrel0$ Ln      IF A rel 0 DO PC := Ln
```

The destinations of these jump instructions are computed using the relative addressing mechanism described in Section 9.1.3. Notice that when the comparison is with zero, A holds the left operand of the relation.

```
GOTO           PC := A
```

This instruction is only used in the compilation of the GOTO command.

```
FHOP          A := 0; PC := PC+1
```

The FHOP instruction is only used in the compilation of relational expressions in non conditional contexts as in the compilation. The assignment:  $x := y < z$  is typically compiled as follows:

```
LP4    Load y
LP5    Load z
JLS 2  Jump to the LM1 instruction if y<z
FHOP   A := FALSE; and hop over the LM1 instruction
LM1    A := TRUE
SP3    Store in x
```

### 9.2.9 Switch Instructions

The instructions are used to implement switches are SWL and SWB, switching on the value held in A. They both assume that all case constants are in the range 0 to 65535, with the compiler taking appropriate action when this constraint is not satisfied.

```
SWL filler n dlab L0 ... Ln-1
```

This instruction is used when there are sufficient case constants all within a small enough range. It performs the jump by selecting an element from a vector of 16 bit resolving half words. The quantities *n*, *dlab*, and  $L_0$  to  $L_{n-1}$  are 16 bit half words, aligned on 16 bit boundaries by the optional filler byte. If A is in the range 0 to  $n - 1$  it uses the appropriate resolving half word  $L_A$ , otherwise it uses the resolving half word

*dlab* to jump to the default label. See Section 9.1.3 for details on how resolving half words are interpreted.

SWB *filler n dlab K<sub>1</sub> L<sub>1</sub> ... K<sub>n</sub> L<sub>n</sub>*

This instruction is used when the range of case constants is too large for SWL to be economical. It performs the jump using a binary chop strategy. The quantities *n*, *dlab*, *K<sub>1</sub>* to *K<sub>n</sub>* and *L<sub>1</sub>* to *L<sub>n</sub>* are 16 bit half words aligned on 16 bit boundaries by the option filler byte. This instruction successively tests A with the case constants in the balanced binary tree given in the instruction. The tree is structured in a way similar to that used in heapsort with the children of the node at position *i* at positions  $2i$  and  $2i + 1$ . References to nodes beyond *n* are treated as null pointers. Within this tree, *K<sub>i</sub>* is greater than all case constants in the tree rooted at position  $2i$ , and less than those in the tree at  $2i + 1$ . The search starts at position 1 and continues until a matching case constant is found or a null pointer is reached. If A is equal to some *K<sub>i</sub>* then PC is set using the resolving half word *L<sub>i</sub>*, otherwise it uses the resolving half word *dlab* to jump to the default label. See Section 9.1.3 for details on how resolving half words are interpreted.

The use of this structure is particularly good for the hand written machine code interpreter for the Pentium where there are rather few central registers. Cunning use can be made of the add with carry instruction (*adcl*). In the following fragment of code, *%esi* points to *n*, *%eax* holds *i* and A is held in *%eax*. There is a test elsewhere to ensure that A is in the range 0 to 65535.

```
swb1:  cmpw (%esi,%eax,4),%bx ; { compare A with Ki
      je swb3                ; Jump if A=Ki
      adcl                    ; IF A>Ki THEN i := 2i
                          ; ELSE i := 2i+1
      cmpw (%esi),%eax       ;
      jle swb1               ; } REPEATWHILE i<=n
```

The compiler ensures that the tree always has at least 7 nodes allowing the code can be further improved by preceding this loop with two copies of:

```
      cmpw (%esi,%eax,4),%bx ; compare Ki with A
      je swb3                ; Jump if match found
      adcl                    ; IF A>Ki THEN i := 2i
                          ; ELSE i := 2i+1
```

The above code is a great improvement on any straightforward implementation of the standard binary chop mechanism.

### 9.2.10 Miscellaneous

XCH	Exchange A and B
ATB	B := A
ATC	C := A
BTC	C := B

These instructions are used move values between register A, B and C.

#### NOP

This instruction has no effect.

#### SYS

This instruction is used in body of the hand written library routine `sys`. If A is zero then the interpreter returns with exception code P!4.

If A is -1 it set register `count` to P!4, setting A to the previous value of `count`. Changing the value of `count` may change which of the two interpreters is used. For more details see Section 4.3.

Otherwise, it performs a system operation returning the result in A. In the C implementation of the interpreter this is done by the following code:

```
c = dosys(p, g);
```

#### MDIV

This instruction is used as the one and only instruction in the body of the hand written library routine `muldiv`, see Section 3.3. It divides P!5 into the double length product of P!3 and P!4 placing the result in A and the remainder in the global variable `result2`. It then performs a function return (RTN). Its effect is as follows:

```
A           := <the result>
G!Gn_result2 := <the remainder>
PC          := P!1           // PC      := P!1
P           := P!0           // P       := P!0
```

#### CHGCO

This instruction is used in the implementation of coroutines. It is the one and only instruction in the body of the hand written library routine `changeco(val, cptr)` where `val` is passed in Cintcode register A and `cptr` is in P!4. Its effect, which is rather subtle, is shown below. For more information see page 46.

```
G!Gn_currco!0 := P!0 // !currco := !P -- changeco's old P pointer
PC            := P!1 // PC      := P!1 -- changeco's return address
G!Gn_currco   := P!4 // currco  := cptr
P             := P!4!0 // P      := !cptr
```

#### BRK

This instruction is used by the debugger to implement break points. It causes the interpreter to return with exception code 2.



### 9.2.11 Floating-point Instructions

Floating-point operations other than those performed by SELST are provided by the FLTOP instruction. They are as follows.

FLTOP 1 <i>b</i>	A := floating point( $A \times 10^b$ )
FLTOP 3	A := FLOAT A
FLTOP 4	A := FIX A
FLTOP 5	A := #ABS A
FLTOP 6	A := A #* B
FLTOP 7	A := A #/ B
FLTOP 8	A := A #+ B
FLTOP 9	A := A #- B
FLTOP 10	A := #+A
FLTOP 11	A := #-A
FLTOP 12	A := A #= B
FLTOP 13	A := A #~= B
FLTOP 14	A := A #< B
FLTOP 15	A := A #> B
FLTOP 16	A := A #<= B
FLTOP 17	A := A #>= B

In the above table, *b* is a signed byte representing a decimal exponent in the range -128 to +127. Floating point numbers with exponents outside this range can be generated using `sys(Sys_flt, fl_mk, x, e)` as described on page 3.3.

### 9.2.12 Select Instructions

Access to fields and some *op*:= assignment are performed using the following instructions.

SELLD <i>len sh</i>	A := SLCT <i>len:sh:0</i> OF A
SELST 0 <i>len s h</i>	SLCT <i>len:sh:0</i> OF A := B
SELST <i>op len sh</i>	SLCT <i>len:sh:0</i> OF A <i>op</i> := B

The mapping between *op* and its corresponding expression operator is given by the table on page 149.

### 9.2.13 Undefined Instructions

There is now only one undefined instruction and its code is 0. It will cause the interpreter to return with exception code of 1.

### 9.2.14 Corruption of B

To improve the efficiency of some hand written machine code interpreters, the following instructions are permitted to corrupt the value held in B:

```
K KH KW Kn KnG KnG1 KnGH  
SWL SWB MDIV CHGCO
```

All other instructions either set B explicitly or leave its value unchanged.

### 9.2.15 Exceptions

When an exception occurs, the interpreter saves the Cintcode registers in its register vector and yields the exception number as result. For exceptions caused by non existent instructions, BRK, DIV or REM the program counter is left pointing to the offending instruction. For more details see the description of `sys(Sys_interpret,...)` on page 68.

# Chapter 10

## The Design of Sial

Sial is an internal intermediate assembly language designed for BCPL. The first version was called Cial (Compact Internal Assembly Language) was pronounced “seal”. It was essentially an assembly language for Cintcode with the same function code mnemonics and the same abstract machine registers. It was soon found that rather than having a variety of codes to load an integer constant (such as L0, L1, L2, LM1, LW, LH or L), it was better to have one function code to load positive integers and another for negative ones with the values specified by operands. This form is more convenient for translation and easier to compress. The new language is called Sial (also pronounced “seal”) with the S standing for smaller. Sial therefore has fewer function codes than Cintcode and most of them take operands but still uses the same abstract machine registers. Although Cintcode load instructions save the value of the A register in B before setting A, Sial loads typically do not. The current version of Sial has not yet been updated to deal with the extended BCPL features such as floating point and *op:=* assignments.

As an example of the use of Sial, consider the program `com/hello.b` which is as follows:

```
GET "libhdr"

LET start() = VALOF
{ writef("Hello*n")
  RESULTIS 0
}
```

This can be translated into Sial using `bcpl2sial com/hello.b to hello.sial`. The resulting file is:

```
F104
F113 K5 C115 C116 C97 C114 C116
F111 L1
F112 M9001
F32 P3 G94
F11 K0
F77
F107 M9001 K6 C72 C101 C108 C108 C111 C10
F106 K1 G1 L1 G94
F105
```

This can be converted into something slightly more readable using the command: `sial-sasm hello.sial to *` giving: This can be translated into Sial using the `bcpl2sial` command as follows.

```
0.010> sial-sasm hello.sial to *
Converting hello.sial to *
MODSTART

//Entry to: start
ENTRY   K5 C115 C116 C97 C114 C116
LAB     L1
LSTR    M9001
KPG     P3 G94
L       K0
RTN
STRING  M9001 K6 C72 C101 C108 C108 C111 C10
GLOBAL K1
G1 L1
G94
MODEND
Conversion complete
0.000>
```

Alternatively, the Sial can be translated, statement by statement, into the assembly language of a machine such as the Pentium as follows.

```
0.000> sial-386 hello.sial to hello.s
Converting hello.sial to hello.s
Conversion complete
0.010> type hello.s
# Code generated by sial-386
```

```
.text
.align 16
# MODSTART

# Entry to: start
# ENTRY   K5 C115 C116 C97 C114 C116
# LAB     L1

LA1:
  movl %ebp,0(%edx)
  movl %edx,%ebp
  popl %edx
  movl %edx,4(%ebp)
  movl %eax,8(%ebp)
  movl %ebx,12(%ebp)
# LSTR    M9001
  leal MA9001,%ebx
  shrl $2,%ebx
# KPG     P3 G94
  movl 376(%esi),%eax
  leal 12(%ebp),%edx
```

```

    call *%eax
# L      KO
    xorl %ebx,%ebx
# RTN
    movl 4(%ebp),%eax
    movl 0(%ebp),%ebp
    jmp *%eax
# STRING M9001 K6 C72 C101 C108 C108 C111 C10
.data
    .align 4
MA9001:
    .byte 6
    .byte 72
    .byte 101
    .byte 108
    .byte 108
    .byte 111
    .byte 10
    .text
# GLOBAL K1

.globl prog

.globl _prog
prog:
_prog:
    movl 4(%esp),%eax
# G1 L1
    movl $LA1,4(%eax)
# G94
    ret

# MODEND
0.020>

```

Sial was designed as an experiment in the compact representation of algorithms that can be just-in-time compiled easily into code for any target machine. Its secondary purpose was to allow an easy way to generate native code translations of BCPL programs giving typically a ten fold speedup over the Cintcode interpretive version. An experienced programmer can normally modify an existing Sial translator to generate reasonable code for a new target in one or two days.

The following sections give a specification of Sial and an outline of how the translator `sial-386` works.

## 10.1 The Sial Specification

Sial consists of a stream of directives and instructions each starting with an opcode followed by operands. Both opcodes and operands are encoded using integers each prefixed by a letter specifying what kind of value it represents. The prefixes are as follows:

- F An opcode or directive
- P A stack offset, 0 to #xFFFFFFFF
- G A global variable number, 0 to 65535
- K A 24-bit unsigned constant, often small in value
- W A signed integer, used for static data and large constants
- C A byte in range 0 to 255
- L A label generated by translation phase
- M A label generated by the Sial codegenerator

The instructions are for an abstract machine with the following internal registers.

- a The main accumulator, function first arg and result register
- b The second accumulator used in dyadic operations
- c Register used by `pbyt` and `xpbyt`, and possibly corrupted by some other instructions, such as `mul`, `div`, `rem`, `xdiv` and `xrem`
- P Pointer to the base of the current stack frame
- G Pointer to the base of the Global Vector
- PC Set by jump and call instructions

The opcodes and directives are as follows:

Mnemonic	Operand(s)	Meaning
lp	Pn	a := P!n
lg	Gn	a := G!n
ll	Ln	a := !Ln
llp	Pn	a := @ P!n
llg	Gn	a := @ G!n
lll	Ln	a := @ !Ln
lf	Ln	a := address of entry point Ln
l	Kn	a := n
lm	Kn	a := - n
sp	Pn	P!n := a
sg	Gn	G!n := a
sl	Ln	!Ln := a
ap	Pn	a := a + P!n
ag	Gn	a := a + G!n
a	Kn	a := a + n
s	Kn	a := a - n

lkp	Kk Pn	a := P!n!k
lkg	Kk Gn	a := G!n!k
rv		a := ! a
rvp	Pn	a := P!n!a
rvk	Kn	a := a!k
st		!a := b
stp	Pn	P!n!a := b
stk	Kn	a!n := b
stkp	Kk Pn	P!n!k := a
skg	Kk Gn	G!n!k := a
xst		!b := a
k	Pn	Call a(b,...) incrementing P by n leaving b in a
kpg	Pn Gg	Call Gg(a,...) incrementing P by n
neg		a := - a
not		a := ~ a
abs		a := ABS a
xdiv		a := a / b; c := ?
xrem		a := a REM b; c := ?
xsub		a := a - b; c := ?
mul		a := b * a; c := ?
div		a := b / a; c := ?
rem		a := b REM a; c := ?
add		a := b + a
sub		a := b - a
eq		a := b = a
ne		a := b ~= a
ls		a := b < a
gr		a := b > a
le		a := b <= a
ge		a := b >= a
eq0		a := a = 0
ne0		a := a ~= 0
ls0		a := a < 0
gr0		a := a > 0
le0		a := a <= 0
ge0		a := a >= 0

lsh		a := b << a
rsh		a := b >> a
and		a := b & a
or		a := b   a
xor		a := b XOR a
eqv		a := b EQV a
gbyt		a := b % a
xgbyt		a := a % b
pbyt		b % a := c
xpbyt		a % b := c
swb	Kn Ld K1 L1 ... Kn Ln	Binary chop switch, Ld default
swl	Kn Ld L1 ... Ln	Label vector switch, Ld default
xch		Swap a and b
atb		b := a
atc		c := a
bta		a := b
btc		c := b
atblp	Pn	b := a; a := P!n
atblg	Gn	b := a; a := G!n
atbl	Kk	b := a; a := k
j	Ln	Jump to Ln
rtn		Function or routine return
goto		PC := a
ikp	Kk Pn	a := P!n + k; P!n := a
ikg	Kk Gn	a := G!n + k; G!n := a
ikl	Kk Ln	a := !Ln + k; !Ln := a
ip	Pn	a := P!n + a; P!n := a
ig	Gn	a := G!n + a; G!n := a
il	Ln	a := !Ln + a; !Ln := a
jeq	Ln	Jump to Ln if b = a
jne	Ln	Jump to Ln if b ~ = a
jls	Ln	Jump to Ln if b < a
jgr	Ln	Jump to Ln if b > a
jle	Ln	Jump to Ln if b <= a
jge	Ln	Jump to Ln if b >= a
jeq0	Ln	Jump to Ln if a = 0
jne0	Ln	Jump to Ln if a ~ = 0
jls0	Ln	Jump to Ln if a < 0
jgr0	Ln	Jump to Ln if a > 0
jle0	Ln	Jump to Ln if a <= 0
jge0	Ln	Jump to Ln if a >= 0
jge0m	Mn	Jump to Mn if a >= 0



brk		Breakpoint instruction
nop		No operation
chgco		Change coroutine
mdiv		a := mdiv(P!3, P!4, P!5)
sys		System function
section	Kn C1 ... Cn	Name of section
modstart		Start of module
modend		End of module
global	Kn G1 L1 ... Gn Ln	Global initialisation data
string	Ml Kn C1 ... Cn	String constant
const	Mn Ww	Large integer constant
static	Ln Kk W1 ... Wk	Static variable or table
mlab	Mn	Destination of jge0m
lab	Lm	Program label
lstr	Mn	a := Mn (pointer to string)
entry	Kn C1 ... Cn	Start of a function

The following Sial operators were added in August 2014 to allow native code compilation of the floating point features.

float	a := FLOAT a; b := ?
fix	a := FIX a; b := ?
fabs	a := #ABS a; b := ?
fneg	a := #- a; b := ?
fmul	a := b #* a; b := ?
fdiv	a := b #/ a; b := ?
fadd	a := b #+ a; b := ?
fsub	a := b #- a; b := ?
feq	a := b #= a; b := ?
fne	a := b #~ = a; b := ?
fls	a := b #< a; b := ?
fgr	a := b #> a; b := ?
fle	a := b #<= a; b := ?
fge	a := b #>= a; b := ?
feq0	a := a #= 0; b := ?
fne0	a := a #~ = 0; b := ?
fls0	a := a #< 0; b := ?
fgr0	a := a #> 0; b := ?
fle0	a := a #<= 0; b := ?
fge0	a := a #>= 0; b := ?

The floating point conditional jump instructions are as follows.

jfeq	Ln	Jump to Ln if b #= a; b := ?
jfne	Ln	Jump to Ln if b #~= a; b := ?
jfls	Ln	Jump to Ln if b #< a; b := ?
jfgr	Ln	Jump to Ln if b #> a; b := ?
jfle	Ln	Jump to Ln if b #<= a; b := ?
jfge	Ln	Jump to Ln if b #>= a; b := ?
jfeq0	Ln	Jump to Ln if a #= 0; b := ?
jfne0	Ln	Jump to Ln if a #~= 0; b := ?
jfls0	Ln	Jump to Ln if a #< 0; b := ?
jfgr0	Ln	Jump to Ln if a #> 0; b := ?
jfle0	Ln	Jump to Ln if a #<= 0; b := ?
jfge0	Ln	Jump to Ln if a #>= 0; b := ?

Notice that all floating point instructions currently leave register *b* undefined, but this may be changed later. As a slightly larger example of the use of Sial we will compile following program (*com/fact.b*):

```
SECTION "fact"
```

```
GET "libhdr"
```

```
LET start() = VALOF
```

```
{ FOR i = 1 TO 5 DO writef("fact(%n) = %i4*n", i, fact(i))
  RESULTIS 0
}
```

```
AND fact(n) = n=0 -> 1, n*fact(n-1)
```

into the following Sial code.

```
F104
F103 K4 C102 C97 C99 C116
F113 K5 C115 C116 C97 C114 C116
F111 L1
F11 K1
F13 P3
F111 L4
F3 P3
F69
F9 L2
F31 P9
F13 P9
F3 P3
F13 P8
F112 M1
F32 P4 G94
F79 K1 P3
F75 K5
F89 L4
F11 K0
F77
F107 M1 K15 C102 C97 C99 C116 C40 C37 C110
```

```

C41 C32 C61 C32 C37 C105 C52 C10
F113 K4 C102 C97 C99 C116
F111 L2
F92 L5
F11 K1
F77
F111 L5
F12 K1
F16 P3
F69
F9 L2
F31 P4
F73 P3
F39
F77
F106 K1 G1 L1 G94
F105

```

Using the `sial-sasm` command we obtain:

```

MODSTART
SECTION K4 C102 C97 C99 C116

//Entry to: start
ENTRY   K5 C115 C116 C97 C114 C116
LAB     L1
L       K1
SP      P3
LAB     L4
LP      P3
ATB
LF      L2
K       P9
SP      P9
LP      P3
SP      P8
LSTR    M1
KPG     P4 G94
IKP     K1 P3
ATBL    K5
JLE     L4
L       K0
RTN
STRING  M1 K15 C102 C97 C99 C116 C40 C37 C110 C41 C32
        C61 C32 C37 C105 C52 C10

//Entry to: fact
ENTRY   K4 C102 C97 C99 C116
LAB     L2
JNEO    L5
L       K1
RTN
LAB     L5
LM      K1
AP      P3
ATB

```

```

LF      L2
K       P4
ATBLP  P3
MUL
RTN
GLOBAL K1
G1 L1
G94
MODEND

```

## 10.2 The sial-386 Translator

The source of an unoptimised Sial translator that generates Intel 386 assembly language is `com/sial-386.b`. It is a simple program about 750 lines based on the `sial-sasm` program. This version was implemented before the floating point instructions were added to Sial. It generates the readable version of the Sial source as comments interspersed with the corresponding Intel 386 translations. For the example, program given above it outputs the following assembly language.

```

# Code generated by sial-386

.text
.align 16
# MODSTART
# SECTION K4 C102 C97 C99 C116

# Entry to: start
# ENTRY   K5 C115 C116 C97 C114 C116
# LAB     L1

LA1:
  movl %ebp,0(%edx)
  movl %edx,%ebp
  popl %edx
  movl %edx,4(%ebp)
  movl %eax,8(%ebp)
  movl %ebx,12(%ebp)
# L       K1
  movl $1,%ebx
# SP      P3
  movl %ebx,12(%ebp)
# LAB     L4
LA4:
# LP      P3
  movl 12(%ebp),%ebx
# ATB
  movl %ebx,%ecx
# LF      L2
  leal LA2,%ebx
# K       P9
  movl %ebx,%eax
  movl %ecx,%ebx
  leal 36(%ebp),%edx
  call  *%eax

```

```

# SP      P9
movl %ebx,36(%ebp)
# LP      P3
movl 12(%ebp),%ebx
# SP      P8
movl %ebx,32(%ebp)
# LSTR    M1
leal MA1,%ebx
shrl $2,%ebx
# KPG     P4 G94
movl 376(%esi),%eax
leal 16(%ebp),%edx
call *%eax
# IKP     K1 P3
movl 12(%ebp),%ebx
incl %ebx
movl %ebx,12(%ebp)
# ATBL    K5
movl %ebx,%ecx
movl $5,%ebx
# JLE     L4
cml %ebx,%ecx
jle LA4
# L       K0
xorl %ebx,%ebx
# RTN
movl 4(%ebp),%eax
movl 0(%ebp),%ebp
jmp *%eax
# STRING  M1 K15 C102 C97 C99 C116 C40 C37 C110 C41 C32
#         C61 C32 C37 C105 C52 C10
.data
.align 4
MA1:
.byte 15
.byte 102
.byte 97
.byte 99
.byte 116
.byte 40
.byte 37
.byte 110
.byte 41
.byte 32
.byte 61
.byte 32
.byte 37
.byte 105
.byte 52
.byte 10
.text

# Entry to: fact
# ENTRY   K4 C102 C97 C99 C116
# LAB     L2

```

```

LA2:
  movl %ebp,0(%edx)
  movl %edx,%ebp
  popl %edx
  movl %edx,4(%ebp)
  movl %eax,8(%ebp)
  movl %ebx,12(%ebp)
# JNE0    L5
  orl %ebx,%ebx
  jne LA5
# L      K1
  movl $1,%ebx
# RTN
  movl 4(%ebp),%eax
  movl 0(%ebp),%ebp
  jmp %eax
# LAB    L5
LA5:
# LM     K1
  movl $-1,%ebx
# AP     P3
  addl 12(%ebp),%ebx
# ATB
  movl %ebx,%ecx
# LF     L2
  leal LA2,%ebx
# K      P4
  movl %ebx,%eax
  movl %ecx,%ebx
  leal 16(%ebp),%edx
  call %eax
# ATBLP  P3
  movl %ebx,%ecx
  movl 12(%ebp),%ebx
# MUL
  movl %ecx,%eax
  imul %ebx
  movl %eax,%ebx
# RTN
  movl 4(%ebp),%eax
  movl 0(%ebp),%ebp
  jmp %eax
# GLOBAL K1

.globl fact

.globl _fact
fact:
_factor:
  movl 4(%esp),%eax
# G1 L1
  movl $LA1,4(%eax)
# G94
  ret

# MODEND

```

When implementing `sial-386` it was necessary to decide how the Intel registers were to be used and what the BCPL calling sequence should be. The chosen register allocation was as follows:

Intel register	Use
<code>%eax</code>	A work register
<code>%ebx</code>	The A register
<code>%ecx</code>	The B register
<code>%edx</code>	The C register
<code>%esi</code>	The G pointer
<code>%edi</code>	A work register
<code>%ebp</code>	The P pointer

The chosen BCPL calling sequence is as follows:

```

                                # Entry address must be in %eax
                                # The first argument must be in %ebx
leal <stack increment>(%ebp),%edx # Set %edx to the new P pointer
call *%eax                        # Subroutine jump to the entry point

```

The entry sequence is as follows:

```

                                # The first argument is in %ebx(=A)
                                # The new P pointer is in %edx(=C)
movl %ebp,0(%edx)                # C!0 := P
movl %edx,%ebp                   # P := C
popl %edx                        # Get the return address
movl %edx,4(%ebp)                # P!1 := return address
movl %eax,8(%ebp)                # P!2 := entry address
movl %ebx,12(%ebp)               # P!3 := the first argument

```

The return sequence is as follows:

```

                                # The result is in %ebx(=A)
movl 4(%ebp),%eax                # Get the return address
movl 0(%ebp),%ebp               # P := the saved P pointer
jmp *%eax                       # Jump to the return address

```

The structure of `sial-386` is simple. It mainly consists of a large switch within the function `scan` that has a case for each function code and directive. For example, the case for the function code `kpg` is as follows:

```

CASE f_kpg:    cvfpg("KPG") // Call Gg(a,...) incrementing P by n
               writef("*n movl %n(%%esi),%%eax", 4*gval)
               writef("*n leal %n(%%ebp),%%edx", 4*pval)
               writef("*n call **%%eax")
               ENDCASE

```

The call `cvfpg("KPG")` reads the Sial statement knowing it is of the form: `KPG Pk Gn`. This outputs the statement as an assembly language comment after placing `k` and `n` in `pval` and `gval`, respectively. The three `writeln` calls then output the three assembly language instructions for the `KPG` operation, and `ENDCASE` transfers control to where the next Sial statement is processed. All the other cases are equally simple.

The section name of the program, which must be present, compiles into a C callable function that initialises the BCPL global vector with the entry points defined within this module. To complete the 386 implementation, there is a short handwritten assembly language library `natbcpl/sysasm/mlib.s` that defines the BCPL callable functions `sys`, `changeco` and `muldiv`. The program must be linked the compiled versions of the BCPL library modules `BLIB` and `DLIB`, and also `clib` whose source is in `natbcpl/sysc/clib.c` and a program typically called `initprob.c` that defines the function `initsections` to invoke all the global initialisation functions. The file `initprog.c` is normally created by a call such as:

```
makeinit prog.b to initprog.c
```

The resulting `initprog.c` is typically:

```
// Initialisation file written by makeinit version 2.0

#include "bcpl.h"

WORD stackupb=50000;
WORD gvecupb=1000;

// BCPL sections
extern BLIB(WORD *); // file (run-time library)
extern DLIB(WORD *); // file (system dependent library)
extern prog(WORD *); // file prog.b

void initsections(WORD *g) {
    BLIB(g); // file (run-time library)
    DLIB(g); // file (system dependent library)
    prog(g); // file prog.b

    return;
}
```

A later version of this program called `sial-686.b` includes the compilation of the floating point instructions and also does a little peephole optimisation which has become necessary since integer and floating point registers are distinct on i386 machines. This translator assumes that the target machine is a Pentium Pro or later, but this only matters if floating point instructions are being compiled. There are comments in the program explaining how the peephole optimisation works.



## 10.3 Compaction of Sial

In order to transmit program to a device such as a mobile phone or space probe over a slow connection it is useful to have a compact representation of the code. Sial is both target machine independent and can be compacted with ease. This section gives a brief overview of an experimental compaction technique that seems to performs well.

Since the types of operands and their number depend only on the Sial operator, an Sial stream can be split into several streams of which the main one is the stream of Sial operators. Others are streams holding global variable numbers, local variable offsets, program label numbers, data labels, integer constants, character codes and a some others. These streams can be separately compressed taking advantage of the special properties of each. Some ideas are given below.

Local variable offsets have a very skew distribution and so are susceptible to Huffman (or possibly arithmetic) coding after some preprocessing to deal with large values and the implementation of a mechanism to take advantage of the observation that, if an offset is used once, the same offset is likely to be used again in the near future. This might suggest the use of move-to-front buffering.

Program labels have the property that, in any section, they are each only set once using a `LAB` or `ENTRY` statement. If they are systematically renumbered so that successive label setting statements take successive label numbers, there is no need for these statements to take a label argument. The remaining labels in the stream are typically nearly monotonic the compaction algorithm can take advantage of this.

The operation code stream often contains repeated patterns that are susceptible to the conventional techniques used to compress text, and the same applies to the stream of characters. It might be worth separating out the integers representing the character string lengths from other integers and place them either in a stream of their own or insert them into the stream of characters.

Some preliminary experiments on Sial compression can be found in the directory `bcplprogs/sial` in the standard BCPL distribution.



# Chapter 11

## The MC Package

This chapter describes the MC package which provides a machine independent way to generate and execute native machine code at runtime. The work on this package started in January 2008 and is still under development, however, it currently works well enough to run the n-queens problem on i386 machines about 24 times faster than the normal Cintcode interpretive version. MC package development is performed in the directory BCPL/bcplprogs/mc/ and fairly stable versions are copied to BCPL/cintcode/g/mc.h, BCPL/cintcode/com/mci386.b and BCPL/cintcode/cin/mci386 which can be used from any working directory. Currently the MC package does not have any floating point operations. This will be rectified in due course.

The package is based on a simple machine independent abstract machine code called MC which is easily translated into machine instructions for most architectures. Although native code is generated by MC calls such as `mcRDX(mc_add, mc_b, 20, mc_d)`, MC has a corresponding assembly language to assist debugging. The assembly form of the instruction generated by the previous call is `ADD B,20(D)` meaning set register B to the sum of B and the contents of the memory location whose address is 20 plus the value of register D. MC instructions are fairly low level and typically translate into single native code instructions for most architectures. This example translates into the i386 GNU statement: `addl 20(%edx),%ebx`.

The first operand is the destination for any instruction that updates a register or memory location. Thus assignments are always from right to left as in most programming languages but unlike many assembly codes where, for instance, `movl 20(%edx),%ebx` updates the second operand.

The MC machine has six registers A, B, C, D, E and F that are directly available to the programmer, and also a program counter, stack pointer, stack frame pointer and a condition code register, although these cannot be accessed explicitly.

### 11.1 MC Example

The following program is a simple demonstration of the i386 version of the MC package.

```
GET "libhdr"  
GET "mc.h"
```

```

MANIFEST {
  A=mc_a; B=mc_b; C=mc_c; D=mc_d; E=mc_e; F=mc_f
  a1=1; a2; a3
}

LET start() = VALOF
{ // Load the dynamic code generation package for i386 machines.
  LET mcseg, mcb, n = globin(loadseg("mci386")), 0, 0
  UNLESS mcseg DO
  { writef("Trouble with MC package: mci386*n")
    GOTO fin
  }
  // Create an MC instance for 10 functions with a data space
  // of 100 words and code space of 4000 words.
  mcb := mcInit(10, 100, 4000)
  UNLESS mcb DO
  { writef("Unable to create an mci386 instance*n")
    GOTO fin
  }
  mc := 0 // Currently no selected MC instance.
  mcSelect(mcb) // Select the new MC instance.

  mcK(mc_debug, #b0011) // Trace comments and MC instructions.

  mcKKK(mc_entry, 1, 3, 5) // Entry point for function 1
  // having 3 arguments and 5 local variables

  mcK(mc_debug, #b1111) // Trace comments, MC instructions, target
  // instructions and the compiled code.

  mcRA(mc_mv, A, a1) // A := <arg 1>
  mcRA(mc_add, A, a2) // A := A + <arg 2>

  n := mcNextlab()
  mcL(mc_lab, n) // Ln:
  mcRA(mc_add, A, a3) // A := A + <arg 3>
  mcR(mc_dec, A) // A := A - 1
  mcRK(mc_cmp, A, 100)
  mcJS(mc_jlt, n) // IF A<100 JMP Ln

  mcK(mc_debug, #b0011) // Trace only comments and MC instructions.
  mcF(mc_rtn) // Return from function 1 with result in A.
  mcF(mc_endfn) // End of function 1 code.
  mcF(mc_end) // End of dynamic code generation.

  writef("*nF1(10, 20, 30) => %n*n", mcCall(1, 10, 20, 30))
fin:
  IF mcseg DO unloadseg(mcseg)
  RESULTIS 0
}

```

When this program runs it outputs the following.

```

//  ENTRY 1 3 5
//  DEBUG 15

```

```

//    MV A,A1
        movl 20(%ebp), %eax
573:  8B 45 14
//    ADD A,A2
        addl 24(%ebp), %eax
576:  03 45 18

//    LAB L1
        lab L1
579:  L1:
//    ADD A,A3
        addl 28(%ebp), %eax
579:  03 45 1C
//    DEC A
        decl %eax
582:  48
//    CMP A,$100
        cmpl $100, %eax
583:  83 F8 64
//    JLT L1
        jl L1
586:  7C F7
//    DEBUG 3
//    RTN
//    ENDFN
//    END

```

F1(10, 20, 30) => 117

The result of 117 ( $= 10+20+(30-1)*3$ ) shows that the body of the loop was correctly executed three times.

The header file (`mc.h`) defines manifests (such as `mc_mv` and `mc_add`) and globals (such as `mcK` and `mcRA`) provided by the package. The package itself must be dynamically loaded (by `globin(loadseg("mci386"))`) and then selected (by `mcSelect(mcb)`). MC instructions are compiled by calls such as `mcRA(op, ...` or `mcRK(op, ...` where `op` specifies the instruction or directive and the letters following `mc` (eg `RA` or `RK`) specify the sort of operands supplied.

A register operand is denoted by `R` and an integer operand by `K`. There are 9 possible kinds of memory operands denoted by `A`, `V`, `G`, `M`, `L`, `D`, `DX`, `DXs` and `DXsB`. `A` denotes an specified argument of the current function, `V` denotes a specified local variable of the current function, `G` denotes a specified BCPL global variable, `M` denotes a location in Cintcode memory specified by a BCPL pointer, `L` denotes the position within the data or code areas of the compiled code corresponding to a given label, `D` denotes a specified absolute machine address, `DX` denotes a location whose machine address is the sum of a given byte offset and register, `DXs` is similar to `DX` only the index register is scaled by a given factor of 1, 2, 4 or 8 and finally `DXsB` is like `DXs` but has a second specified register added into the effective address.

The following table summarises the MC code generation functions. The first argument is always specifies the directive or instruction and the remaining arguments specify the operands. The destination of any instruction that updates a register or memory location is always the first operand.

Function	Operands
mcF	No operand
mcK	One integer operand
mcR	One MC register operand
mcA	One operand specifying an argument number
mcV	One operand specifying an local variable number
mcG	One operand specifying a global variable number
mcM	One operand giving the word address of a location in Cintcode memory
mcL	One numeric label operand, defaulting to 32-bit relative
mcD	One operand giving an absolute machine address
mcDX	One memory operand specified by an offset added to an index register
mcDXs	One memory operand specified by an offset added to an index register scaled by <i>s</i> which must be 1, 2, 4 or 8
mcDXsB	One memory operand specified by an offset added to a base register and an index register scaled by <i>s</i> which must be 1, 2, 4 or 8
mcJS	Jump instructions with near relative destinations
mcJL	Jump instructions with possibly distant relative destinations
mcJR	Jump instructions with destination given by register
mcRA	Two operands, R and A
mcRV	Two operands, R and V
mcRG	Two operands, R and G
mcRM	Two operands, R and M
mcRL	Two operands, R and L
mcRD	Two operands, R and D
mcRDX	Two operands, R and DX
mcRDXs	Two operands, R and DXs
mcRDXsB	Two operands, R and DXsB
mcRR	Two operands, R and R
mcAR	Two operands, A and R
mcVR	Two operands, V and R
mcGR	Two operands, G and R
mcMR	Two operands, M and R
mcLR	Two operands, L and R
mcDR	Two operands, D and R
mcDXR	Two operands, DX and R
mcDXsR	Two operands, DXs and R
mcDXsBR	Two operands, DXsB and R

mcRK	Two operands, R and K
mcAK	Two operands, A and K
mcVK	Two operands, V and K
mcGK	Two operands, G and K
mcMK	Two operands, M and K
mcLK	Two operands, L and K
mcDK	Two operands, D and K
mcDXK	Two operands, DX and K
mcDXsK	Two operands, DXs and K
mcDXsBK	Two operands, DXsB and K
mcKK	Two integer operands
mcKKK	Three integer operands
mcPRF	One <code>printf</code> format string and one register

## 11.2 MC Library Functions

`mcb := mcInit(maxfno, dsize, csize)`

Create an instance of the MC package, allocating space for *maxfno* functions, *dsize* words of data space and *csize* words of code space. The MC control block is assigned to *mcb*.

`mcSelect(mcb)`

Select an instance of the MC package by assigning *mcb* to the global variable `mc`. For efficiency reasons, `mcSelect` copies various field in the control block to global variables. If `mc` was non zero, the previous setting of the globals are saved in the previously selected MC instance. It is thus important to set `mc` to zero before the first call of `mcSelect`.

`res := mcCall(fno, a1, a2, a3)`

Call the function with number *fno* giving it the three arguments *a1*, *a2*, *a3*. The result is assigned to *res*. Function *fno* must have been defined to expect three arguments.

`mcClose()`

Close the currently selected MC instance deleting all its workspace and compiled code. It also sets `mc` to zero.

`mcPRF(mess, reg)`

This function is an invaluable debugging aid which compiles code to call the C function `printf` with the given format string (packed in the data area) and the value of the specified register. All registers, including the condition code, are preserved. The register argument may be omitted if the format string requires no register argument. Typical use of `mcPRF` is as follows:

```
mcRK(mc_mv, D, #x01234567)
mcRK(mc_mv, A, #x89ABCDEF)
```

```

mcRK(mc_mv, A, #x10000000)
mcPRF("With D=%8x ", D)
mcPRF("A=%8x ", A)
mcPRF("B=%8x*n", B)
mcR(mc_div, B)
mcPRF("the instruction: DIV B*n")
mcPRF("gives D=%8x ", D)
mcPRF("A=%8x ", A)
mcPRF("B=%8x*n", B)

```

This causes the following output:

```

With D= 1234567  A=89abcdef  B=10000000
the instruction: DIV B
gives D= 9abcdef  A=12345678  B=10000000

```

```
n := mcNextlab()
```

Allocate the next available label assigning its number to *n*. Labels are used by instructions that refer to static data and in jump instructions. There is essentially no limit to the number of labels that may be allocated.

```
mcComment(format, a, b, ..., k)
```

This is a debugging aid to make the compiled code more readable using `writeln` to write a message to the listing output during code generation if the least significant bit of `mcDebug` is a one. The variable `mcDebug` is set by the `DEBUG` directive described below.

```
res := mcDatap()
```

```
res := mcCodep()
```

These calls return the current positions in the data and code area respectively.

All the other functions compile MC directives and instructions and are described below.

## 11.3 The MC Language

The MC abstract machine language is fairly low level and is somewhat influenced by the i386 architecture. Particularly the rather small number of MC registers allowed, the rich variety of memory addressing modes and the specification of the instructions for multiplication, division and shifts. However, it is machine independent and reasonably easy to compile into native machine code for most machines. Before describing the MC instructions, a few key features will be introduced. As mentioned earlier the MC machine has six registers named A to F which are typically mapped directly onto machine registers of the target architecture. These can be used for any purpose except for a few instructions such as `MUL`, `DIV` and the shifts which may implicitly use some of them implicitly.



When an MC function is declared it has a specified number of arguments and local variables (see the ENTRY statement below). When a function is called by the CALL instruction, the required number of arguments must have already been pushed onto the stack. On return these arguments will have been automatically popped from the stack. If the wrong number of arguments are given, the effect is undefined. By convention, the result of a function is returned in register A.

Numeric labels are used to refer to static data and positions in the code. They are allocated by calls of `mcNextlab`, described above. Many architectures allow both conditional and unconditional jumps to use short offsets (typically single bytes) to specify the relative address of the destination. Jump instructions automatically use short relative addresses for backward jumps if possible, but, for forward jumps, the programmer is required to give a hint. Jump instructions compiled by `mcJS` expect forward jumps to use short relative addresses while `mcJL` specifies that larger relative addresses are to be used. If a short relative address proves insufficient and error message is generated telling the programmer that `mcJL` should have been used. The function `mcJR` is used when the destination address of a jump instruction is in a register.

Conditional jump instructions inspect the condition code to determine whether or not to jump. The condition code is set by the `CMP`, `ADD`, `ADDC`, `SUB` and `SUBC` instructions and preserved by jump instructions (`JMP` and `Jcc`). All other instructions (including `INC` and `DEC` leave the condition code undefined.

All MC directives and instructions are described below in alphabetical order. The name of the operation is given in bold capital letters together with the list of possible operand types. The BCPL manifest for the operation consists of the name in lower case letters preceded by `mc_`. For example, `mc_add` is the manifest constant for the `ADD` operation, and since `RDXs` appears in its list of operand types, it can be compiled by, for instance, `mcRDXs(mc_add, mc_a, 20, mc_d, 4)`.

**ADD** RA RV RG RM RL RD RDX RDXs RDXsB  
RR AR VR GR MR LR DR DXR DXsR DXsBR  
RK AK VK GK MK LK DK DXK DXsK DXsBK

Add the second operand into the first and set the condition code appropriately. For example, `mcRG(mc_add, mc_d, 150)` will compile code to add global 150 in register D.

**ADDC** RA RV RG RM RL RD RDX RDXs RDXsB  
RR AR VR GR MR LR DR DXR DXsR DXsBR  
RK AK VK GK MK LK DK DXK DXsK DXsBK

Add the condition code carry bit and the second operand into the first and set the condition code appropriately. Adding 1 into the 64-bit value held in B:A can be done by the code generated by:

```
mcRK( mc_add, mc_a, 1) // Don't use INC here!
mcRK( mc_addc, mc_b, 0)
```

**ALIGNC** K

Align the next instruction to an address which is a multiple of k which must be 2, 4 or 8.

**ALIGND** K

Align the next item of data to an address which is a multiple of *k* which must be 2, 4 or 8.

**AND** RA RV RG RM RL RD RDX RDXs RDXsB  
RR AR VR GR MR LR DR DXR DXsR DXsBR  
RK AK VK GK MK LK DK DXK DXsK DXsBK

Perform the bit wise AND of the second operand into the first.

**CALL** KK

Call the function who number is the first argument with *n* arguments that have already been pushed onto the stack when *n* is the second operand. On return these arguments will have been popped and, by convention, the result will be in register A.

**CDQ** F

Sign extend register A into D. That is, if A is positive set D to zero, otherwise it is to #xFFFFFFFF. This is normally used in conjunction with DIV.

**CMP** RA RV RG RM RL RD RDX RDXs RDXsB  
RR AR VR GR MR LR DR DXR DXsR DXsBR  
RK AK VK GK MK LK DK DXK DXsK DXsBK

Set the condition code to difference between the first operand and the second. The condition code is used by conditional jumps and conditional setting instructions. For example,

```
mcRK(mc_cmp, mc_b, 100)
mcJL(mc_jle, 25)
```

will compile code to jump the label L25 is B<=100, using signed arithmetic.

**DATAB** K

Assemble one byte of data with the specified value.

**DATAK** K

Assemble one aligned word of data with the specified value.

**DATAL** L

Assemble one aligned word of data initialised with the absolute address of code or data specified by the given label.

**DEBUG** K

Set the debug tracing level (*mcDebug*) to the specified value. The least significant four bits of *mcDebug* control the level of tracing as follows.

- #b0001 Output any *mcComment* comments.
- #b0010 Output the MC instructions.
- #b0100 Output the target machine instructions.
- #b1000 Output the compiled binary code.

- DEC** R A V G M L D DX DXs DXsB  
 Decrement the specified register or memory word by 1, leaving the condition code undefined.
- DIV** K R A V G M L D DX DXs DXsB  
 Divide the double length value in D:A by the specified operand. The result is left in A and the remainder in D. The DIV instruction performs signed arithmetic.
- DLAB** L  
 Set the specified label to the absolute address of the next available byte in the data area.
- ENDFN** F  
 This marks the end of the body of the current function.
- END** F  
 This directive specifies that no more code generation will be done. The system will free all temporary work space only preseving the MC control block, the function dispatch table, and the data and code areas.
- ENTRY** KKK  
 This specifies the entry point of the function whose number is given by the first operand. The second operand specifies how many arguments the function takes and the third specified how many local variables the function may use. Calls to this function must have the required number of arguments pushed onto the stack, and on return this number of values will be automatically popped from the stack. Functions called directly from BCPL using `mcCall` always take three arguments, but functions called using the CALL instruction can take any number of arguments.
- INC** R A V G M L D DX DXs DXsB  
 Increment the specified register or word of memory by one, leaving the condition code undefined.
- JEQ** JS JL JR  
 Jump to the specified location if the first operand of a previous CMP instruction was equal to its second operand.
- JGE** JS JL JR  
 Jump to the specified location if the first operand of a previous CMP instruction was greater than or equal to its second operand using signed arithmetic.
- JGT** JS JL JR  
 Jump to the specified location if the first operand of a previous CMP instruction was greater than its second operand using signed arithmetic.
- JLE** JS JL JR  
 Jump to the specified location if the first operand of a previous CMP instruction was less than or equal to its second operand using signed arithmetic.

**JLT** JS JL JR

Jump to the specified location if the first operand of a previous *CMP* instruction was less than its second operand using signed arithmetic.

**JMP** JS JL JR

Unconditionally jump to the specified location.

**JNE** JS JL JR

Jump to the specified location if the first operand of a previous *CMP* instruction was not equal to its second operand.

**LAB** L

Set the specified label to the machine address of the current position in the code area.

**MV** RA RV RG RM RL RD RDX RDXs RDXsB  
RR AR VR GR MR LR DR DXR DXsR DXsBR  
RK AK VK GK MK LK DK DXK DXsK DXsBK

Move the second operand into the first.

**MVB** AR VR GR MR LR DR DXR DXsR DXsBR  
AK VK GK MK LK DK DXK DXsK DXsBK

Move the least significant byte of the second operand into the memory byte location specified by the first.

**MVH** AR VR GR MR LR DR DXR DXsR DXsBR  
AK VK GK MK LK DK DXK DXsK DXsBK

Move the least significant 16 bits of the second operand into the 16-bit memory location specified by the first.

**MVSXB** RA RV RG RM RL RD RDX RDXs RDXsB  
RR AR VR GR MR LR DR DXR DXsR DXsBR  
RK AK VK GK MK LK DK DXK DXsK DXsBK

Move the sign extended byte value specified by the second operand into the first.

**MVSXH** RA RV RG RM RL RD RDX RDXs RDXsB  
RR AR VR GR MR LR DR DXR DXsR DXsBR  
RK AK VK GK MK LK DK DXK DXsK DXsBK

Move the sign extended 16-bit value specified by the second operand into the first.

**MVZXB** RA RV RG RM RL RD RDX RDXs RDXsB  
RR AR VR GR MR LR DR DXR DXsR DXsBR  
RK AK VK GK MK LK DK DXK DXsK DXsBK

Move the zero extended byte value specified by the second operand into the first.

**MVZXH** RA RV RG RM RL RD RDX RDXs RDXsB  
RR AR VR GR MR LR DR DXR DXsR DXsBR

RK AK VK GK MK LK DK DXK DXsK DXsBK

Move the zero extended 16-bit value specified by the second operand into the first.

**LEA** RA RV RG RM RL RD RDX RDXs RDXsB

Load the register specified by the first operand with the absolute address of the memory location specified by the second operand.

**LSH** RK RR

Shift to the left the value in the register specified by the first operand by the amount specified by the second operand. If the second operand is a register it must be C. Vacated positions are filled with zeros. The effect is undefined if the shift distance is not in the range 0 to 31.

**MUL** K R A V G M L D DX DXs DXsB

Multiply register A by the operand placing the double length result in D:A. Signed arithmetic is used. Unsigned arithmetic is used. Immediate (K) operands may sometimes be packed in the data area.

**NEG** R A V G M L D DX DXs DXsB

Negate the value specified by the operand.

**NOP** F

Performs no operation.

**NOT** R A V G M L D DX DXs DXsB

Perform the bitwise complement of the value specified by the operand.

**OR** RA RV RG RM RL RD RDX RDXs RDXsB

RR AR VR GR MR LR DR DXR DXsR DXsBR

RK AK VK GK MK LK DK DXK DXsK DXsBK

Perform the bitwise OR of the second operand into the first.

**POP** R A V G M L D DX DXs DXsB

Pop one word off the stack placing it in the specified register or memory location.

**PUSH** K R A V G M L D DX DXs DXsB

Push the specified constant, register or memory location onto the stack.

**RSH** RR RK

Shift to the right the value in the register specified by the first operand by the amount specified by the second operand. If the second operand is a register it must be C. Vacated positions are filled with zeros. The effect is undefined if the shift distance is not in the range 0 to 31.

**RTN** F

This causes a return from the current function. The result, if any, should be in A.

**SEQ** R

Set the specified register to one if the first operand of a previous **CMP** instruction was equal to its second operand, otherwise set it to zero.

**SGE** R

Set the specified register to one if the first operand of a previous **CMP** instruction was greater than or equal to its second operand using signed arithmetic, otherwise set it to zero.

**SGT** R

Set the specified register to one if the first operand of a previous **CMP** instruction was greater than its second operand using signed arithmetic, otherwise set it to zero.

**SLE** R

Set the specified register to one if the first operand of a previous **CMP** instruction was less than or equal to its second operand using signed arithmetic, otherwise set it to zero.

**SLT** R

Set the specified register to one if the first operand of a previous **CMP** instruction was less than its second operand using signed arithmetic, otherwise set it to zero.

**SNE** R

Set the specified register to one if the first operand of a previous **CMP** instruction was not equal to its second operand, otherwise set it to zero.

**SUB** RA RV RG RM RL RD RDX RDXs RDXsB  
RR AR VR GR MR LR DR DXR DXsR DXsBR  
RK AK VK GK MK LK DK DXK DXsK DXsBK

Subtract the second operand from the first, and set the condition code appropriately.

**SUBC** RA RV RG RM RL RD RDX RDXs RDXsB  
RR AR VR GR MR LR DR DXR DXsR DXsBR  
RK AK VK GK MK LK DK DXK DXsK DXsBK

Subtract the condition code carry bit and the second operand from the first, and set the condition code appropriately. Subtracting 1 from the 64-bit value held in **B:A** can be done by the code generated by:

```
mcRK( mc_sub, mc_a, 1) // Don't use DEC here!!
mcRK( mc_subc, mc_b, 0)
```

**UDIV** K R A V G M L D DX DXs DXsB

Divide the double length value in **D:A** by the specified operand. The result is left in **A** and the remainder in **D**. The **UDIV** instruction performs unsigned arithmetic.

**UJGE** JS JL JR

Jump to the specified location if the first operand of a previous **CMP** instruction was greater than or equal to its second operand using unsigned arithmetic.

**UJGT** JS JL JR

Jump to the specified location if the first operand of a previous **CMP** instruction was greater than its second operand using unsigned arithmetic.

**UJLE** JS JL JR

Jump to the specified location if the first operand of a previous **CMP** instruction was less than or equal to its second operand using unsigned arithmetic.

**UJLT** JS JL JR

Jump to the specified location if the first operand of a previous **CMP** instruction was less than its second operand using unsigned arithmetic.

**UMUL** K R A V G M L D DX DXs DXsB

Multiply register **A** by the operand placing the double length result in **D:A**. Unsigned arithmetic is used. Immediate (**K**) operands may sometimes be packed in the data area.

**USGE** R

Set the specified register to one if the first operand of a previous **CMP** instruction was greater than or equal to its second operand using unsigned arithmetic, otherwise set it to zero.

**USGT** R

Set the specified register or memory word to one if the first operand of a previous **CMP** instruction was greater than its second operand using unsigned arithmetic, otherwise set it to zero.

**USLE** R

Set the specified register to one if the first operand of a previous **CMP** instruction was less than or equal to its second operand using unsigned arithmetic, otherwise set it to zero.

**USLT** R

Set the specified register to one if the first operand of a previous **CMP** instruction was less than its second operand using unsigned arithmetic, otherwise set it to zero.

**XCHG** RR RA RV RG RM RL RD RDX RDXs RDXsB

Exchange the values specified by the two operands.

**XOR** RA RV RG RM RL RD RDX RDXs RDXsB  
RR AR VR GR MR LR DR DXR DXsR DXsBR  
RK AK VK GK MK LK DK DXK DXsK DXsBK

Exclusive OR the second operand into the first.

## 11.4 MC Debugging Aids

The primary debugging aid is to inspect the generated code and the is controlled by the `DEBUG` directive which sets the tracing level held in the global variable `mcDebug`. Assuming `bimc` are the least significant four bit of `mcDebug`, if `c = 1`, print comments compiled by `mcComment`. If `m = 1`, print MC instructions and directives. If `i = 1`, print the corresponding target instruction(s) and if `b = 1`, print the resulting binary code in hexadecimal. To fully understand this output it is, of course, necessary to have a good understanding of the target architecture being used.

A second important debugging aid is provided by the `mcPRF` function which compiler code to output the value of a specified register using a given `printf` format string. On return all registers including the condition code are preserved. A typical call of `mcPRF` is as follows.

```
mcPRF("The value of register A is %8x*n", mc_a)
```

As an aid to debugging MC packages themselves, there is a test program called `bcplprogs/mc/mcsystest.b` which systematically tests all MC instructions, directives and addressing modes generating error messages for each error found. Each such error message includes a test number which helps to locate the source of the of the problem. If `mcsystest` is given a test number as argument, it provides a detailed compilation trace of the specified test. This should provide sufficient information to locate the error in the package.

## 11.5 The n-queens Demonstration

This section shows how the algorithm to solve the n-queens problem as described in Section 13.3 on page 214 can be reimplemented using the MC package. The MC version of the program is as follows.

```
GET "libhdr"
GET "mc.h"

MANIFEST {
  // Register mnemonics
  ld    = mc_a
  col   = mc_b
  rd    = mc_c
  poss  = mc_d
  p     = mc_e
  count = mc_f
}

LET start() = VALOF
{ // Load the dynamic code generation package
  LET argv = VEC 50
  LET lo, hi, dlevel = 1, 16, #x0000
  LET mcname = "mci386" // Default setting
  LET mcseg = 0
  LET mcb = 0
```



```

UNLESS rdargs("mc,lo/n,hi/n,-c/s,-m/s,-a/s,-b/s", argv, 50) DO
{ writef("Bad arguments for mcqueens*n")
  RESULTIS 0
}

IF argv!0 DO mcname := argv!0           // mc
IF argv!1 DO lo := !argv!1             // lo/n
IF argv!2 DO hi := !argv!2            // hi/n
IF argv!3 DO dlevel := dlevel | #b0001 // -c/s   comments
IF argv!4 DO dlevel := dlevel | #b0010 // -m/s   mc instructions
IF argv!5 DO dlevel := dlevel | #b0100 // -a/s   assembler
IF argv!6 DO dlevel := dlevel | #b1000 // -b/s   binary

mcseg := globin(loadseg(mcname))

UNLESS mcseg DO
{ writef("Trouble with MC package: mci386*n")
  GOTO fin
}

// Create an MC instance for hi functions with a data space
// of 10 words and code space of 4000
mcb := mcInit(hi, 10, 40000)

UNLESS mcb DO
{ writef("Unable to create an mci386 instance*n")
  GOTO fin
}

mc := 0           // Currently no selected MC instance
mcSelect(mcb)

mcK(mc_debug, dlevel)

FOR n = lo TO hi DO
{ mcComment("*n*n// Code for a %nx%n board*n", n, n)
  gencode(n) // Compile the code for an nxn board
}

mcF(mc_end)

writef("Code generation complete*n")

FOR n = lo TO hi DO
{ LET k = 0
  writef("Calling mcCall(%n)*n", n)
  k := mcCall(n)
  writef("Number of solutions to %i2-queens is %i9*n", n, k)
}

fin:
IF mc DO mcClose()
IF mcseg DO unloadseg(mcseg)

writef("*n*nEnd of run*n")

```

```

}

AND gencode(n) BE
{ LET all = (1<<n) - 1
  mcKKK(mc_entry, n, 3, 0)

  mcRK(mc_mv, ld, 0)
  mcRK(mc_mv, col, 0)
  mcRK(mc_mv, rd, 0)
  mcRK(mc_mv, count, 0)

  cmpltry(1, n, all)      // Compile the outermost call of try

  mcRR(mc_mv, mc_a, count) // return count
  mcF(mc_rtn)
  mcF(mc_endfn)
}

AND cmpltry(i, n, all) BE
{ LET L = mcNextlab()

  mcComment("*n// Start of code from try(%n, %n, %n)*n", i, n, all)

  mcRR(mc_mv, poss, ld)      // LET poss = ~(ld | col | rd) & all
  mcRR(mc_or, poss, col)
  mcRR(mc_or, poss, rd)
  mcR (mc_not, poss)
  mcRK(mc_and, poss, all)

  mcRK(mc_cmp, poss, 0)      // IF poss DO
  TEST n-i<=2
  THEN mcJS(mc_jeq, L)      // (use a short jump if near the last row)
  ELSE mcJL(mc_jeq, L)

  TEST i=n
  THEN { // We can place a queen in the final row.
        mcR(mc_inc, count) // count := count+1
      }
  ELSE { // We can place queen(s) in a non final row.
        LET M = mcNextlab()

        mcL (mc_lab, M)      // { Start of REPEATWHILE loop

        mcRR(mc_mv, p, poss) // LET p = poss & -poss
        mcR (mc_neg, p)
        mcRR(mc_and, p, poss) // // p is a valid queens position
        mcRR(mc_sub, poss, p) // poss := poss - p

        mcR (mc_push, ld)    // Save current state
        mcR (mc_push, col)
        mcR (mc_push, rd)
        mcR (mc_push, poss)

        // Call try((ld+p)<<1, col+p, (rd+p)>>1)
        mcRR(mc_add, ld, p)
        mcRK(mc_lsh, ld, 1) // ld := (ld+p)<<1

```

```

mcRR(mc_add, col, p) // col := col+p
mcRR(mc_add, rd, p)
mcRK(mc_rsh, rd, 1) // rd := (rd+p)>>1

cmpltry(i+1, n, all) // Compile code for row i+1

mcR (mc_pop, poss) // Restore the state
mcR (mc_pop, rd)
mcR (mc_pop, col)
mcR (mc_pop, ld)

mcRK(mc_cmp, poss, 0)
mcJL(mc_jne, M) // } REPEATWHILE poss
}

mcL(mc_lab, L)
mcComment("// End of code from try(%n, %n, %n)*n*n",
          i, n, all)
}

```

In this implementation all the working variables are held in registers and all recursive calls are unwound knowing that the depth of recursion will be limited, in this case to no more than 16. The stack is used to save the state at the moment when a recursive call would have been made in the original program. An optimisation is done based on the knowledge that if a queen can be placed on the  $n$ th row of  $n \times n$  board then the solution count can be incremented.

When running on a Pentium IV this implementation executes approximately 24 times faster than the normal interpretive Cintcode version and 25% faster than the corresponding optimised C version of the algorithm.



# Chapter 12

## Installation

The implementation of BCPL described in this report is freely available via my Home Page [3] to individuals for private use and to academic institutions. If you install the system, please send me an email (to [mr@c1.cam.ac.uk](mailto:mr@c1.cam.ac.uk)) so I can keep a record of who is interested in it.

This implementation is designed to be machine independent being based on an interpreter written in C. There are, however, hand written assembly language versions of the interpreter for several architectures (including i386, MIPS, ALPHA and Hitachi SH3), although these are now little used and are becoming out of date. For Windows XP there are precompiled `.exe` files such as `wincintsys.exe` and `winrastsys.exe`. These files should be copied into the appropriate `bin` directory and renamed as `cintsys.exe` and `rastsys.exe`. For all the other architectures it is necessary to rebuild the system, but this should be reasonably easy to do.

The simplest installation is for 32-bit Linux machines.

### 12.1 Linux Installation

This section describes how to install the BCPL Cintcode System on an IBM PC running Linux.

1) First create a directory typically named `distribution` and copy either `bcpl.tgz` or `bcpl.zip` into it. These are available via my home page [3] and both contain the same set of files and directories.

2) Enter the `distribution` directory and extract the files of the BCPL Cintcode System by:

```
cd distribution
tar zxvf bcpl.tgz
```

or unpack `bcpl.zip` using:

```
cd distribution
unzip -v bcpl.zip
```

Some web browsers will have already decompressed the .tgz file, so you may have use the following command instead:

```
cd distribution
tar xvf bcpl.tgz
```

This step will create and populate the directories BCPL, BCPL/cintcode, BCPL/bcplprogs and BCPL/natbcpl. The directory BCPL/cintcode contains all the source files of the BCPL Cintcode System, BCPL/bcplprogs contains a collection of directories holding demonstration programs, and BCPL/natbcpl contains a version of BCPL that compiles into native code (for Intel and ALPHA machines) using a mechanism based on the Sial abstract machine code.

3) In order to use the BCPL Cintcode system from another directory it is necessary to define the shell environment variables BCPLROOT, BCPLPATH, BCPLHDRS and BCPLSCRIPTS. These environment variables must specify the absolute file names of the BCPL root directory, the directories containing the compiled commands, the directories containing the BCPL header files and the directories to be searched when looking for command-commands. The BCPLROOT directory should also be added to your PATH. This can be done by editing the file BCPL/cintcode/os/linux/setbcplenv, if necessary, and running the command:

```
. os/linux/setbcplenv          under bash
```

or

```
source os/linux/setbcplenv     under the C-shell
```

This will execute commands similar to:

```
export BCPLROOT=$HOME/distribution/BCPL/cintcode
export BCPLPATH=$BCPLROOT/cin
export BCPLHDRS=$BCPLROOT/g
export BCPLSCRIPTS=$BCPLROOT/s
export PATH=$PATH:$BCPLROOT/bin
```

or

```
setenv BCPLROOT ${HOME}/distribution/BCPL/cintcode
setenv BCPLPATH ${BCPLROOT}/cin
setenv BCPLHDRS ${BCPLROOT}/g
setenv BCPLSCRIPTS=$BCPLROOT/s
setenv PATH      ${PATH}:${BCPLROOT}/bin
```

It is probably a good idea to add the line:

```
. os/linux/setbcplenv
```

to the end of the file `.bashrc` in your home directory so the the BCPL environment variables are automatically setup whenever you start a `bash` shell.

4) Now change directory to `cintcode` and attempt to re-build the parts of the system implemented in C and populate the directory `cin` with a basic set of compiled commands.

```
cd distribution/BCPL/cintcode
make clean
make sys
```

If the system is known to work typing just `make` instead of `make sys` is more convenient. The line `make clean` is a recent addition that eliminates some commonly reported problems.

If there was a problem, check that all the C code compiled correctly and linked to form the executable `cintsys`. Then try typing the following shell command:

```
cintsys -f -v
```

or

```
cintsys -f -vv
```

and study the output, in conjunction with `sysc/cintsys.c` and `sysb/boot.b`. Hopefully, there will be enough information there to diagnose and correct the problem. It includes, in particular, a trace of all uses of the shell environment variables which are a common source of trouble.

If `bin/cintsys` has been successfully built, it should be possible to enter the system by typing: `cintsys` or `bin/cintsys`.

```
bin/cintsys
```

```
BCPL Cintcode System (20 Jan 2011)
0.000>
```

The basic set of commands initially provided are: `abort`, `bcpl`, `c`, `cmptest`, `echo`, `logout` and `map`. A simple test of the system is to type:

```
echo hello
map pic
cmptest
bcpl com/bcpl.b to junk
junk com/bcpl.b to junk
```

5) If the above tests are successful, recompile all the system software and commands by typing:

```
c compall
```

6) The BCPL programs that are part of the system are: `boot.b`, `blib.b`, `dlib.b` and `cli.b`. These reside in `BCPL/cintcode/sysb` and can be compiled by the following commands (in the BCPL Cintcode System).

```
c bs boot
c bs blib
c bs dlib
c bs cli
```

The standard commands are in `BCPL/cintcode/com` and may be compiled using `bc`. For example:

```
c bc echo
c bc abort
c bc logout
c bc stack
c bc map
c bc prompt
```

7) Read the documentation in `cintcode/doc` and any `README` files you can find. A log of recent changes can be found in `cintcode/doc/changes`. The current version of this BCPL manual is available from my home page as a `.pdf` file. There is a demonstration script of commands in `cintcode/doc/notes`.

8) To compile and run a demo program such as `bcplprogs/demos/queens.b`:

```
cd ../bcplprogs/demos
cintsys
c b queens
queens
c b mcqueens
mcqueens
```

9) To create the 64-bit version of Cintcode BCPL, type the following.

```
make clean64
make sys64
cintsys64
```

The resulting system is almost identical to the standard 32-bit Cintcode BCPL system but uses a BCPL word length of 64 bits rather than the normal 32.

## 12.2 Command Line Arguments

The commands `cintsys`, `cintsys64` and `cintpos` that invoke the Cintcode interpreter can be given various arguments. These are:



- `-m n` Set the Cintcode memory size to  $n$  words.
- `-t n` Set the tally vector size to  $n$  words.
- `-s` Enter the Cintcode system giving the name of this file as the command for the CLI to run.
- `-c text` Enter cintsys with standard input setup to read the characters from *text* followed by an end-of-stream character.
- `-- text` Enter cintsys with standard input setup to read the characters in *text* followed by the characters of the old standard input.
- `-f` Trace the use of environment variables in pathinput
- `-v` Trace the bootstrapping process
- `-vv` As `-v`, but also include some Cincode level tracing
- `-h` Output some help information.

The rastering versions of the interpreter `rastsys`, `rastsys64` can receive the same arguments.

## 12.3 Installation on Other Machines

Carry out steps 1 to 4 above. In the directory `BCPL/cintcode/sysasm` you will find directories for different architectures, e.g. ALPHA, MIPS, SUN4, SPARC, MSDOS, MAC, OS2, BC4, Win32, CYGWIN32 and shWinCE. These contain files that are architecture (or compiler) dependent, typically including `cintasm.s` (or `cintasm.asm`). For some old versions of Linux, it is necessary to change `_dosys` to `dosys` (or vice-versa) in the file `sysasm/LINUX/cintasm.s`.

Edit Makefile (typically by adding and removing comment symbols) as necessary for your system/machine and then execute `make` in the `cintcode` directory, e.g:

```
make
```

Variants of the above should work for the other architectures running Unix.

## 12.4 Installation for Windows XP

The files `wincintsys.exe` and `winrastsys.exe` are included in the standard distribution and should work under many versions of the Windows operating systems (such as Windows XP) just by typing the command:

```
wincintsys
```

It may be more convenient to move them into a different directory and rename them as `cintsys.exe` and `rastsys.exe`.

I have recently upgraded the Windows version of BCPL so that it can be compiled and run using the freely available Microsoft C compiler and libraries. On a new PC

I installed the freely available .NET Framework 3.5 and the corresponding SDK 3.5. This provided amongst many other things a C compiler and all the relevant libraries.

I then created a shortcut on the desktop with

```
Target: %SystemRoot%\system32\cmd.exe /q /k os\windows\VC8env.bat
```

and

```
Start in: E:\distribution\BCPL\cintcode
```

Double clicking on this shortcut opens a Shell window with the required environment variable all set up C compilation and the BCPL running environment. If they are not correct you may have to edit `VC8env.bat`. The BCPL system was then rebuilt by the commands:

```
nmake /f os/windows/MakefileVC clean
nmake /f os/windows/MakefileVC
```

This should recompile and link all the C code of the BCPL Cintcode system and then recompile all the standard BCPL system programs and commands. For good measure, once the BCPL Cintcode system has been entered, recompile all the BCPL code again by typing:

```
c compall
```

## 12.5 Installation using Cygwin

I recommend using the GNU development tools and utilities for Windows that are available from <http://sourceware.cygnum.com/cygwin/>.

Edit the `cintcode/Makefile` to comment out the LINUX version

```
CC = gcc -O9 -DforLINUX -DSOUND -DCALLC -lm
SYSM = ../cintcode/sysasm/linux
```

and enable the CYGWIN32 version

```
CC = gcc -O9 -DforCYGWIN32 -DSOUND -DCALLC -lm
SYSM = ../cintcode/sysasm/CYGWIN32
```

Then type:

```
make
```

This should recompile the system and create the executable `cintsys.exe`.

Remember to include the `cintcode` directory in your `PATH` and `BCPLPATH` shell variables, so that the `cintsys` can be run in any directory.

Careful inspection of the `Makefile` and directories in `cintcode/sysasm` will show that versions also exist that use Microsoft C++ 5.0 and Borland C4.0, but these are likely to be out of date and their use is not recommended.

## 12.6 Installation for Windows CE2.0

A version of the BCPL Cintcode System is available for handheld machines running Windows CE version 2.0. For installation details see the README file in `sysasm/shwince`. This system provides a scrollable window for interaction with the CLI. It also provides a simple graphical facilities using a graphics window. The system has only been tested on an HP 620LX handheld machine.

## 12.7 The Native Code Version

A BCPL native mode system for 386/486/Pentium based machines is in directory `BCPL/natbcpl`. It can be re-built and tested by changing to the directory `BCPL/natbcpl` and running `make`. If you have the SDL libraries installed (see `bcpl4raspi.pdf`), you could try

```
make -f MakefileSDL clean
make -f MakefileSDL bucket
./bucket
```

A version (64 bit) for the DEC Alpha is also available. To re-build this it is necessary to comment out the lines for `LINUX` and uncomment the lines for the `ALPHA` in `Makefile`, before running `make`.

Recently, a version for the ARM processor has been added, particularly for the Raspberry Pi machine. In directory `BCPL/natbcpl` on the Raspberry Pi, try typing

```
make -f MakefileRaspi clean
make -f MakefileRaspi
```

If you have the SDL libraries installed (see `bcpl4raspi.pdf`), you could try

```
make -f MakefileRaspiSDL clean
make -f MakefileRaspiSDL bucket
./bucket
```



# Chapter 13

## Example Programs

### 13.1 Coins

The following program prints out how many different ways a sum of money can be composed from coins of various denominations.

```
GET "libhdr"

LET coins(sum) = c(sum, (TABLE 200, 100, 50, 20, 10, 5, 2, 1, 0))

AND c(sum, t) = sum<0 -> 0,
              sum=0 -> 1,
              !t=0 -> 0,
              c(sum, t+1) + c(sum-!t, t)

LET start() = VALOF
{ writes("Coins problem*n")
  t(0); t(1); t(2); t(5); t(21); t(100); t(200)
  RESULTIS 0
}

AND t(n) BE writef("Sum = %i3  number of ways = %i6*n", n, coins(n))
```

## 13.2 Primes

The following program prints out a table of all primes less than 1000, using the sieve method.

```

GET "libhdr"

GLOBAL { count: ug }

MANIFEST { upb = 999 }

LET start() = VALOF
{ LET isprime = getvec(upb)
  count := 0
  FOR i = 2 TO upb DO isprime!i := TRUE // Until proved otherwise.

  FOR p = 2 TO upb IF isprime!p DO
  { LET i = p*p
    UNTIL i>upb DO { isprime!i := FALSE; i := i + p }
    out(p)
  }

  writes("nend of output\n")
  freevec(isprime)
  RESULTIS 0
}

AND out(n) BE
{ IF count REM 10 = 0 DO newline()
  writef(" %i3", n)
  count := count + 1
}

```

## 13.3 Queens

The following program calculates the number of ways  $n$  queens can be placed on a  $n \times n$  chess board without any two occupying the same row, column or diagonal.

```

GET "libhdr"

GLOBAL { count:200; all:201 }

LET try(ld, col, rd) BE TEST col=all

    THEN count := count + 1

    ELSE { LET poss = all & ~(ld | col | rd)
          UNTIL poss=0 DO
            { LET p = poss & -poss
              poss := poss - p
              try(ld+p << 1, col+p, rd+p >> 1)
            }
          }
    }

```

```

LET start() = VALOF
{ all := 1

  FOR i = 1 TO 16 DO
  { count := 0
    try(0, 0, 0)
    writef("Number of solutions to %i2-queens is %i9*n", i, count)
    all := 2*all + 1
  }

  RESULTIS 0
}

```

## 13.4 Fridays

The following program prints a table of how often the 13<sup>th</sup> day of the month lies on each day of the week over a 400 year period. Since there are an exact number of weeks in 4 centuries, program shows that the 13<sup>th</sup> is most of a Friday!

```

GET "libhdr"

MANIFEST { mon=0; sun=6; jan=0; feb=1; dec=11 }

LET start() = VALOF
{ LET count          = TABLE 0, 0, 0, 0, 0, 0, 0, 0
  LET daysinmonth    = TABLE 31, ?, 31, 30, 31, 30,
                               31, 31, 30, 31, 30, 31
  LET days = 0

  FOR year = 1973 TO 1973+399 DO
  { daysinmonth!feb := febdays(year)
    FOR month = jan TO dec DO
    { LET day13 = (days+12) REM 7
      count!day13 := count!day13 + 1
      days := days + daysinmonth!month
    }
  }
  FOR day = mon TO sun DO
  writef("%i3 %sdays*n",
        count!day,
        select(day,
              "Mon", "Tues", "Wednes", "Thurs", "Fri", "Sat", "Sun")
        )
  RESULTIS 0
}

AND febdays(year) = year REM 400 = 0 -> 29,
                  year REM 100 = 0 -> 28,
                  year REM 4   = 0 -> 29,
                  28

AND select(n, a0, a1, a2, a3, a4, a5, a6) = n!@a0

```

## 13.5 Lambda Evaluator

The following program is a simple parser and evaluator for lambda expressions.

```

GET "libhdr"

MANIFEST {
// selectors
H1=0; H2; H3; H4

// Expression operators and tokens
Id=1; Num; Pos; Neg; Mul; Div;Add; Sub
Eq; Cond; Lam; Ap; Y
Lparen; Rparen; Comma; Eof
}

GLOBAL {
space:200; str; strp; strt; ch; token; lexval
}

LET lookup(bv, e) = VALOF
{ WHILE e DO { IF bv=H1!e RESULTIS H2!e
               e := H3!e
             }
  writef("Undeclared name %c*n", H2!bv)
  RESULTIS 0
}

AND eval(x, e) = VALOF SWITCHON H1!x INTO
{ DEFAULT:   writef("Bad expression, Op=%n*n", H1!x)
              RESULTIS 0
  CASE Id:   RESULTIS lookup(H2!x, e)
  CASE Num:  RESULTIS H2!x
  CASE Pos:  RESULTIS eval(H2!x, e)
  CASE Neg:  RESULTIS - eval(H2!x, e)
  CASE Add:  RESULTIS eval(H2!x, e) + eval(H3!x, e)
  CASE Sub:  RESULTIS eval(H2!x, e) - eval(H3!x, e)
  CASE Mul:  RESULTIS eval(H2!x, e) * eval(H3!x, e)
  CASE Div:  RESULTIS eval(H2!x, e) / eval(H3!x, e)
  CASE Eq:   RESULTIS eval(H2!x, e) = eval(H3!x, e)
  CASE Cond: RESULTIS eval(H2!x, e) -> eval(H3!x, e), eval(H4!x, e)
  CASE Lam:  RESULTIS mk3(H2!x, H3!x, e)

  CASE Ap:   { LET f, a = eval(H2!x, e), eval(H3!x, e)
              LET bv, body, env = H1!f, H2!f, H3!f
              RESULTIS eval(body, mk3(bv, a, env))
            }
  CASE Y:    { LET bigf = eval(H2!x, e)
              // bigf should be a closure whose body is an
              // abstraction eg Lf Ln n=0 -> 1, n*f(n-1)
              LET bv, body, env = H1!bigf, H2!bigf, H3!bigf
              // Make a closure with a missing environment
              LET yf = mk3(H2!body, H3!body, ?)
              // Make a new environment including an item for bv
              LET ne = mk3(bv, yf, env)
              H3!yf := ne // Now fill in the environment component
              RESULTIS yf // and return the closure
            }
}
}

```



```

// ***** Syntax analyser *****
// Construct      Corresponding Tree
// a ,... , z    --> [Id, 'a'] ,... , [Id, 'z']
// dddd          --> [Num, dddd]
// x y           --> [Ap, x, y]
// Y x           --> [Y, x]
// x * y         --> [Times, x, y]
// x / y         --> [Div, x, y]
// x + y         --> [Plus, x, y]
// x - y         --> [Minus, x, y]
// x = y         --> [Eq, x, y]
// b -> x, y     --> [Cond, b, x, y]
// Li y          --> [Lam, i, y]

LET mk1(x) = VALOF { space := space-1; !space := x; RESULTIS space }
AND mk2(x,y) = VALOF { mk1(y); RESULTIS mk1(x)  }
AND mk3(x,y,z) = VALOF { mk2(y,z); RESULTIS mk1(x)  }
AND mk4(x,y,z,t) = VALOF { mk3(y,z,t); RESULTIS mk1(x)  }

AND rch() BE
{ ch := Eof
  IF strp>=strt RETURN
  strp := strp+1
  ch := str%strp
}

AND parse(s) = VALOF
{ str, strp, strt := s, 0, s%0
  rch()
  RESULTIS nexp(0)
}

```

```

AND lex() BE SWITCHON ch INTO
{ DEFAULT:  writef("Bad ch in lex: %c*n", ch)
  CASE Eof:  token := Eof
             RETURN
  CASE ' ':
  CASE '*n' :rch(); lex(); RETURN

  CASE 'a':CASE 'b':CASE 'c':CASE 'd':CASE 'e':
  CASE 'f':CASE 'g':CASE 'h':CASE 'i':CASE 'j':
  CASE 'k':CASE 'l':CASE 'm':CASE 'n':CASE 'o':
  CASE 'p':CASE 'q':CASE 'r':CASE 's':CASE 't':
  CASE 'u':CASE 'v':CASE 'w':CASE 'x':CASE 'y':
  CASE 'z':
             token := Id; lexval := ch; rch(); RETURN

  CASE '0':CASE '1':CASE '2':CASE '3':CASE '4':
  CASE '5':CASE '6':CASE '7':CASE '8':CASE '9':
             token, lexval := Num, 0
             WHILE '0'<=ch<='9' DO
             { lexval := 10*lexval + ch - '0'
               rch()
             }
             RETURN

  CASE '-':  rch()
             IF ch='>' DO { token := Cond; rch(); RETURN }
             token := Sub
             RETURN

  CASE '+':  token := Add;   rch(); RETURN
  CASE '(':  token := Lparen; rch(); RETURN
  CASE ')':  token := Rparen; rch(); RETURN
  CASE '**': token := Mul;   rch(); RETURN
  CASE '/':  token := Div;   rch(); RETURN
  CASE 'L':  token := Lam;   rch(); RETURN
  CASE 'Y':  token := Y;     rch(); RETURN
  CASE '=':  token := Eq;    rch(); RETURN
  CASE ',':  token := Comma; rch(); RETURN
}

```

```

AND prim() = VALOF
{ LET a = TABLE Num, 0
  SWITCHON token INTO
  { DEFAULT:      writef("Bad expression*n");      ENDCASE
    CASE Id:      a := mk2(Id, lexval);            ENDCASE
    CASE Num:     a := mk2(Num, lexval);           ENDCASE
    CASE Y:       RESULTIS mk2(Y, nexp(6))
    CASE Lam:     lex()
                  UNLESS token=Id DO writes("Id expected*n")
                  a := lexval
                  RESULTIS mk3(Lam, a, nexp(0))
    CASE Lparen:  a := nexp(0)
                  UNLESS token=Rparen DO writef("'')' expected*n")
                  lex()
                  RESULTIS a
    CASE Add:     RESULTIS mk2(Pos, nexp(3))
    CASE Sub:     RESULTIS mk2(Neg, nexp(3))
  }
  lex()
  RESULTIS a
}

AND nexp(n) = VALOF { lex(); RESULTIS exp(n) }

AND exp(n) = VALOF
{ LET a, b = prim(), ?
  { SWITCHON token INTO
    { DEFAULT:    BREAK
      CASE Lparen:
      CASE Num:
      CASE Id:    UNLESS n<6 BREAK
                  a := mk3(Ap, a, exp(6)); LOOP
      CASE Mul:   UNLESS n<5 BREAK
                  a := mk3(Mul, a, nexp(5)); LOOP
      CASE Div:   UNLESS n<5 BREAK
                  a := mk3(Div, a, nexp(5)); LOOP
      CASE Add:   UNLESS n<4 BREAK
                  a := mk3(Add, a, nexp(4)); LOOP
      CASE Sub:   UNLESS n<4 BREAK
                  a := mk3(Sub, a, nexp(4)); LOOP
      CASE Eq:    UNLESS n<3 BREAK
                  a := mk3(Eq, a, nexp(3)); LOOP
      CASE Cond:  UNLESS n<1 BREAK
                  b := nexp(0)
                  UNLESS token=Comma DO writes("Comma expected*n")
                  a := mk4(Cond, a, b, nexp(0)); LOOP
    }
  } REPEAT
  RESULTIS a
}

```

```

AND try(expr) BE
{ LET v = VEC 2000
  space := v+2000
  writef("Trying %s*n", expr)
  writef("Answer: %n*n", eval(parse(expr), 0))
}

AND start() = VALOF
{ try("(Lx x+1) 2")
  try("(Lx x) (Ly y) 99")
  try("(Ls Lk s k k) (Lf Lg Lx f x (g x)) (Lx Ly x) (Lx x) 1234")
  try("(Y (Lf Ln n=0->1,n**f(n-1))) 5")
  RESULTIS 0
}

```

## 13.6 Fast Fourier Transform

The following program is a simple demonstration of the algorithm for the fast fourier transform. Instead of using complex numbers, it uses integer arithmetic modulo 65537 with an appropriate  $N^{\text{th}}$  root of unity.

```

GET "libhdr"

MANIFEST {
modulus = #x10001 // 2**16 + 1

$$ln10 // Set condition compilation flag to select data size
//$$walsh

$<ln16 omega = #x00003; ln = 16 $>ln16 // omega**(2**16) = 1
$<ln12 omega = #x0ADF3; ln = 12 $>ln12 // omega**(2**12) = 1
$<ln10 omega = #x096ED; ln = 10 $>ln10 // omega**(2**10) = 1
$<ln4 omega = #x08000; ln = 4 $>ln4 // omega**(2**4) = 1
$<ln3 omega = #x0FFF1; ln = 3 $>ln3 // omega**(2**3) = 1

$<walsh omega=1 $>walsh // The Walsh transform

N = 1<<ln // N is a power of 2
upb = N-1
}

STATIC { data=0 }

```

```

LET start() = VALOF
{ writef("fft with N = %n and omega = %n modulus = %n*n*n",
        N,          omega,      modulus)

  data := getvec(upb)

  UNLESS omega=1 DO // Unless doing Walsh tranform
    check(omega, N) // check that omega and N are consistent

  FOR i = 0 TO upb DO data!i := i
  pr(data, 7)
// prints -- Original data
//   0   1   2   3   4   5   6   7

  fft(data, ln, omega)
  pr(data, 7)
// prints -- Transformed data
// 65017 26645 38448 37467 30114 19936 15550 42679

  fft(data, ln, ovr(1,omega))
  FOR i = 0 TO upb DO data!i := ovr(data!i, N)
  pr(data, 7)
// prints -- Restored data
//   0   1   2   3   4   5   6   7
  RESULTIS 0
}

AND fft(v, ln, w) BE // ln = log2 n   w = nth root of unity
{ LET n = 1<<ln
  LET vn = v+n
  LET n2 = n>>1

  // First do the perfect shuffle
  reorder(v, n)

  // Then do all the butterfly operations
  FOR s = 1 TO ln DO
  { LET m = 1<<s
    LET m2 = m>>1
    LET wk, wkfac = 1, w
    FOR i = s+1 TO ln DO wkfac := mul(wkfac, wkfac)
    FOR j = 0 TO m2-1 DO
    { LET p = v+j
      WHILE p<vn DO { butterfly(p, p+m2, wk); p := p+m }
      wk := mul(wk, wkfac)
    }
  }
}

AND butterfly(p, q, wk) BE { LET a, b = !p, mul(!q, wk)
  !p, !q := add(a, b), sub(a, b)
}

```

```

AND reorder(v, n) BE
{ LET j = 0
  FOR i = 0 TO n-2 DO
    { LET k = n>>1
      // j is i with its bits in reverse order
      IF i<j DO { LET t = v!j; v!j := v!i; v!i := t }
      // k = 100..00      10..0000..00
      // j = 0xx..xx     11..10xx..xx
      // j' = 1xx..xx    00..01xx..xx
      // k' = 100..00    00..0100..00
      WHILE k<=j DO { j := j-k; k := k>>1 } //) "increment" j
      j := j+k //)
    }
  }

AND check(w, n) BE
{ // Check that w is a principal nth root of unity
  LET x = 1
  FOR i = 1 TO n-1 DO { x := mul(x, w)
    IF x=1 DO writef("omega****%n = 1*n", i)
  }
  UNLESS mul(x, w)=1 DO writef("Bad omega**%n should be 1*n", n)
}

AND pr(v, max) BE
{ FOR i = 0 TO max DO { writef("%I5 ", v!i)
  IF i REM 8 = 7 DO newline()
}
  newline()
}

AND dv(a, m, b, n) = a=1 -> m,
                    a=0 -> m-n,
                    a<b -> dv(a, m, b REM a, m*(b/a)+n),
                    dv(a REM b, m+n*(a/b), b, n)

AND inv(x) = dv(x, 1, modulus-x, 1)

AND add(x, y) = VALOF
{ LET a = x+y
  IF a<modulus RESULTIS a
  RESULTIS a-modulus
}

AND sub(x, y) = add(x, neg(y))

AND neg(x) = modulus-x

AND mul(x, y) = x=0 -> 0,
               (x&1)=0 -> mul(x>>1, add(y,y)),
               add(y, mul(x>>1, add(y,y)))

AND ovr(x, y) = mul(x, inv(y))

```

# Bibliography

- [1] D.T. Ross et al. AED-0 programmer's guide and user kit. Technical report, Electronic Systems Laboratory M.I.T, 1964.
- [2] C. Jobson and J.M. Richards. *BCPL for the BBC Microcomputer*. Acornsoft Ltd, Cambridge, 1983.
- [3] M. Richards. *My WWW Home Page*. [www.cl.cam.ac.uk/users/mr/](http://www.cl.cam.ac.uk/users/mr/).
- [4] M. Richards. *The Implementation of CPL-like programming languages*. Phd thesis, Cambridge University, 1966.
- [5] M. Richards, A.R. Aylward, P. Bond, R.D. Evans, and B.J. Knight. The Tripos Portable Operating System for Minicomputers. *Software-Practice and Experience*, 9:513–527, June 1979.
- [6] Christopher Strachey. A General Purpose Macrogenerator. *Computer Journal*, 8(3):225–241, 1965.





# Appendix A

## BCPL Syntax Diagrams

The syntax of standard BCPL is specified using the transition diagrams given in figures A.1, A.2, A.3 and A.4. In extended BCPL the floating point operators have the same precedence as the corresponding integer ones, and the *op:=* operators are syntactically identical to the *:=* operator. The syntax of the more binding sequencing operator (*<>*) requires some new diagrams to be drawn. This will be done in due course. It is sufficient to know that *<>* is more binding than *DO*, *THEN*, *ELSE*, *REPEAT*, *REPEATWHILE*, *REPEATUNTIL*, and colon. Within the diagrams the syntactic categories *program*, *section*, *declaration*, *command* and *expression<sub>n</sub>* are represented by the rounded boxes:  $\boxed{\text{program}}$ ,  $\boxed{\text{section}}$ ,  $\boxed{\text{D}}$ ,  $\boxed{\text{C}}$  and  $\boxed{\text{En}}$ , respectively.

The rectangular boxes are called test boxes and can only be traversed if the condition labelling the box matches the current input. When the label is a token, as in  $\boxed{\text{WHILE}}$  and  $\boxed{:=}$ , it must match the next input token for the test to succeed. The test box  $\boxed{\text{eof}}$  is only satisfied if the end of file has been reached. Sometimes the test box contains a side condition, as in  $\boxed{\text{REM } n < 6}$ , in which case the side condition must also be satisfied. The only other test boxes are  $\boxed{\text{is call}}$  and  $\boxed{\text{is name}}$  which are only satisfied if the most recently read expression is syntactically a function call or a name, respectively. By setting *n* successively from 0 to 8 in the definition of the category  $\boxed{\text{En}}$ , we obtain the definitions of  $\boxed{\text{E0}}$  to  $\boxed{\text{E8}}$ . Starting from the definition of  $\boxed{\text{program}}$ , we can construct an infinite transition diagram containing only test boxes by simply replacing all rounded boxes by their definitions, recursively. The parsing algorithm searches through this infinite diagram for a path with the same sequence of tokens as the program being parsed. In order to eliminate ambiguities, the left hand branch at a branch point is tried first. Notice how this rule causes the command

```
IF i>10 DO i := i/2 REPEATUNTIL i<5
```

to be equivalent to

```
IF i>10 DO { i := i/2 REPEATUNTIL i<5 }
```

and not

```
{ IF i>10 DO i := i/2 } REPEATUNTIL i<5
```

A useful property of these diagrams is that, once a test box has been successfully traversed, previous branching decisions need not be reconsidered and so the parser need never backtrack.

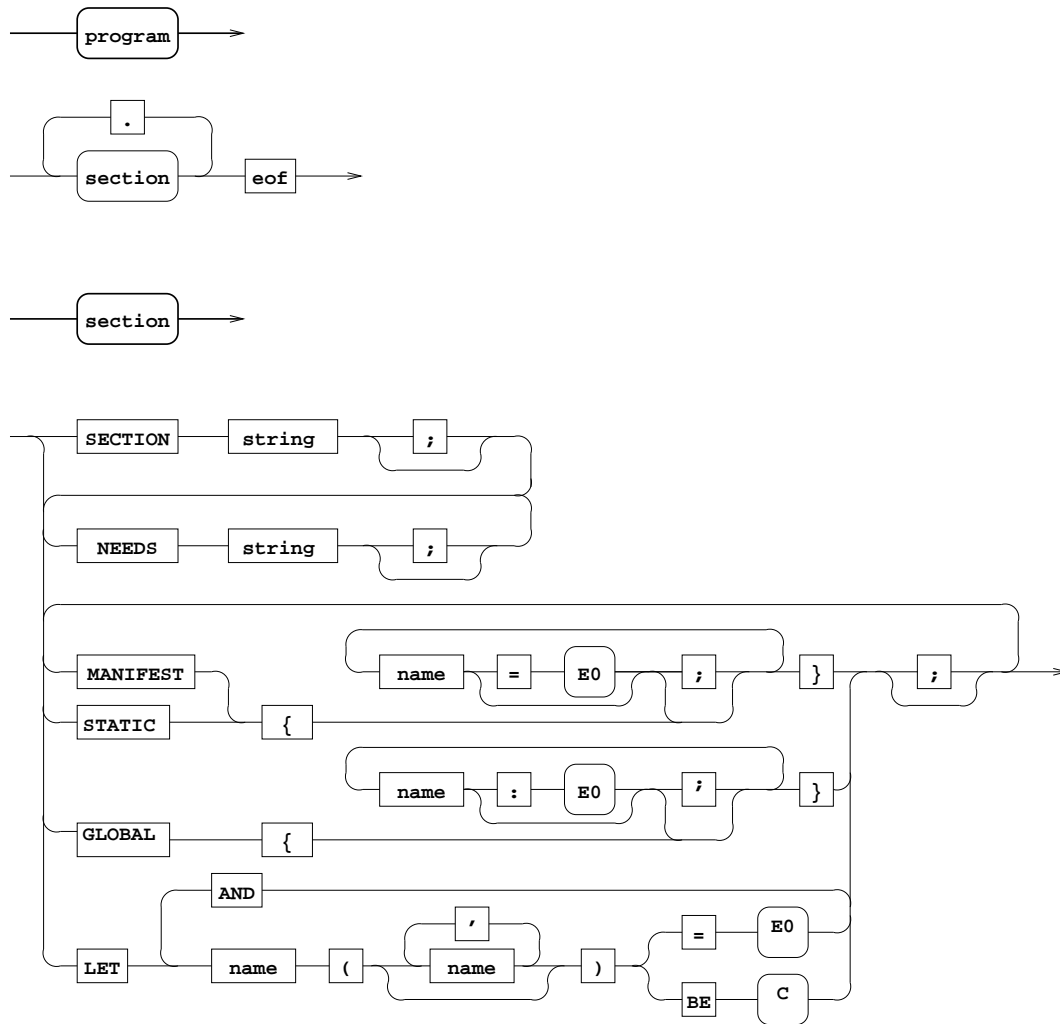


Figure A.1: Program, Section

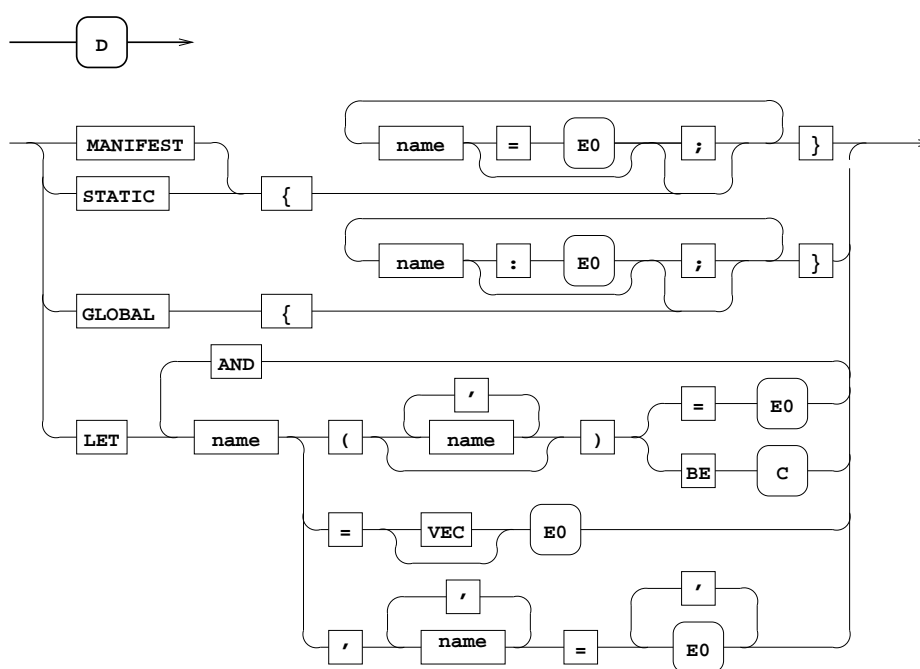


Figure A.2: Declarations

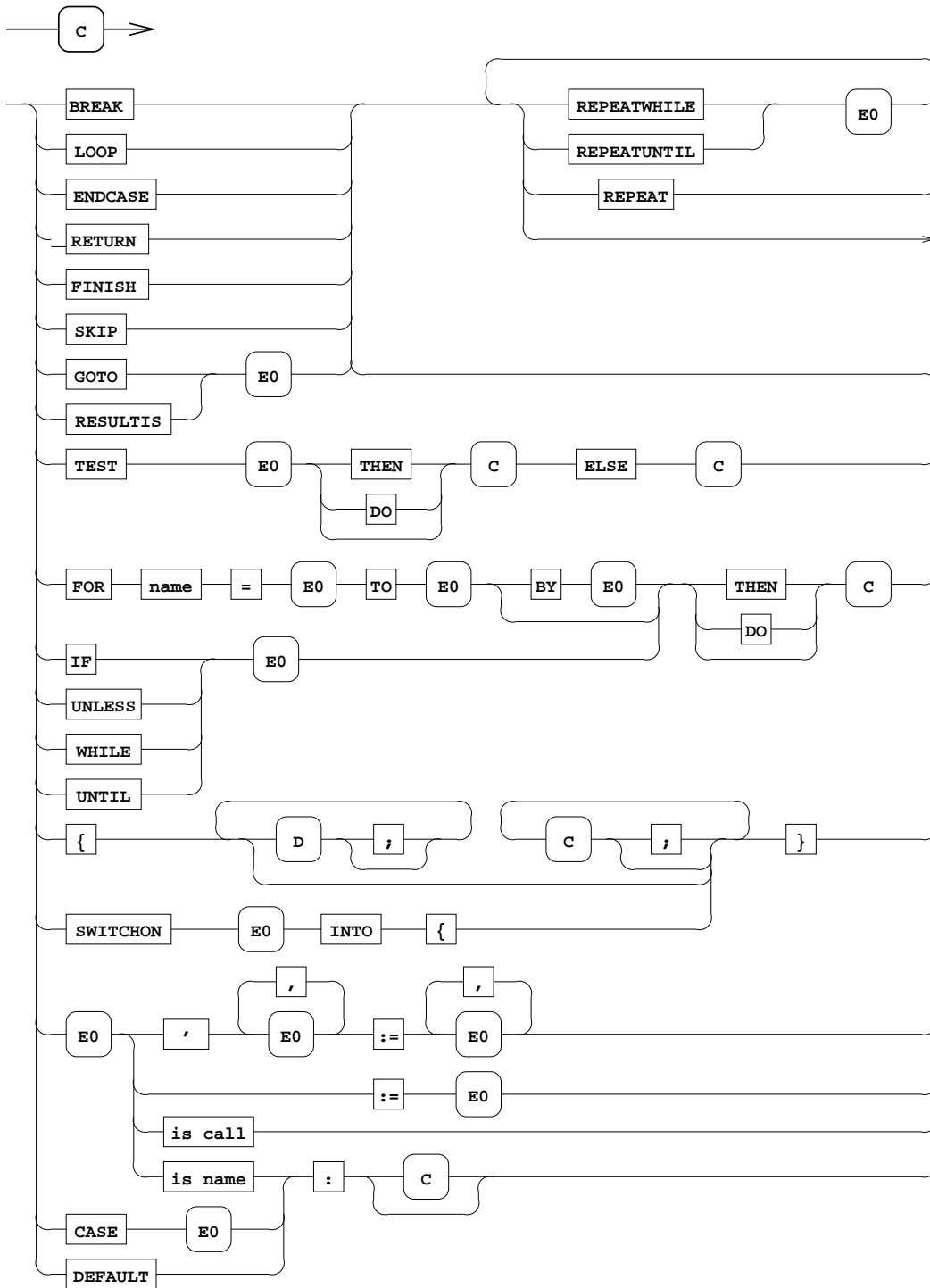


Figure A.3: Commands

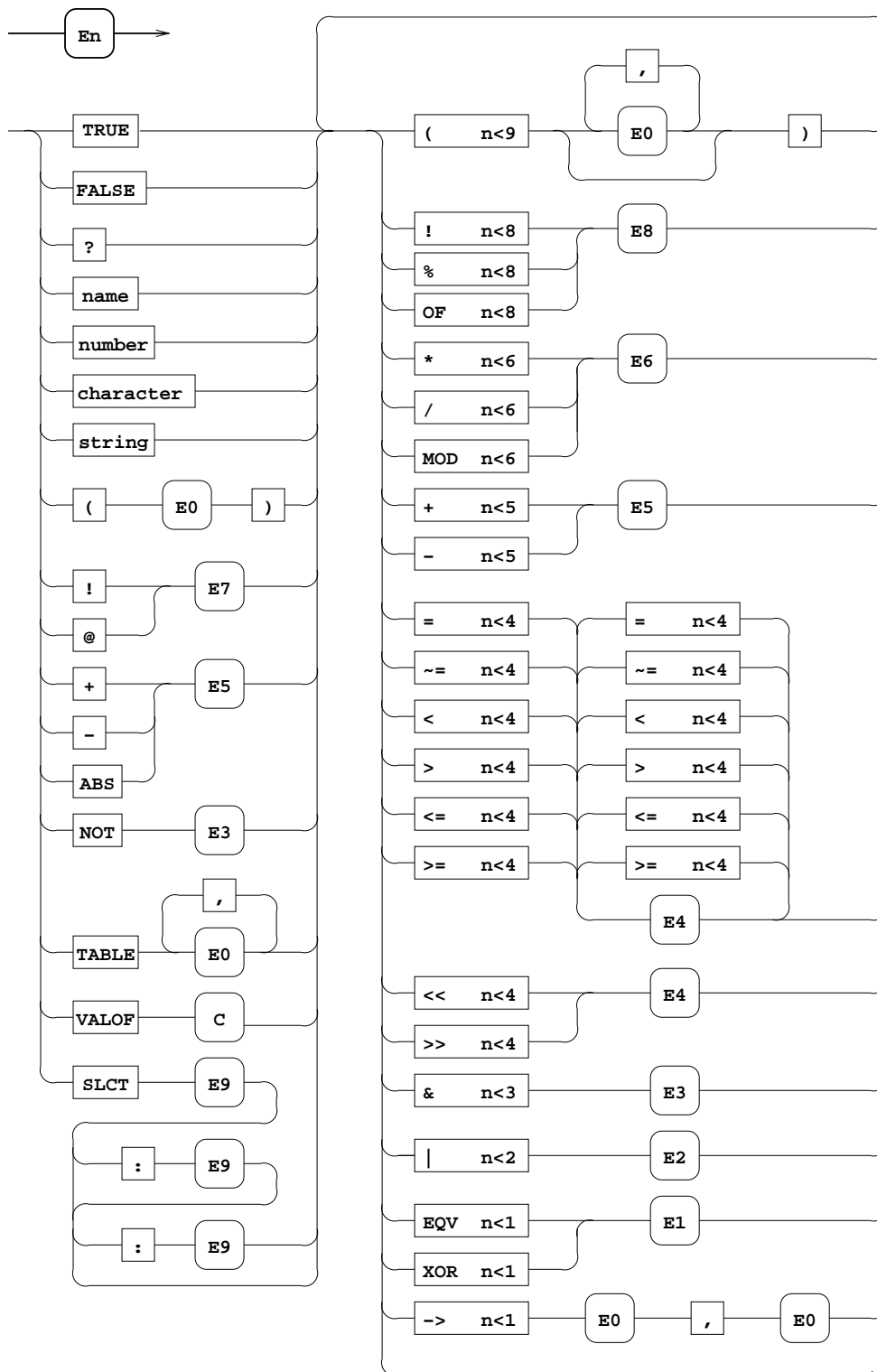


Figure A.4: Expressions

